

KALMAR®
WERKSTÄTTEN

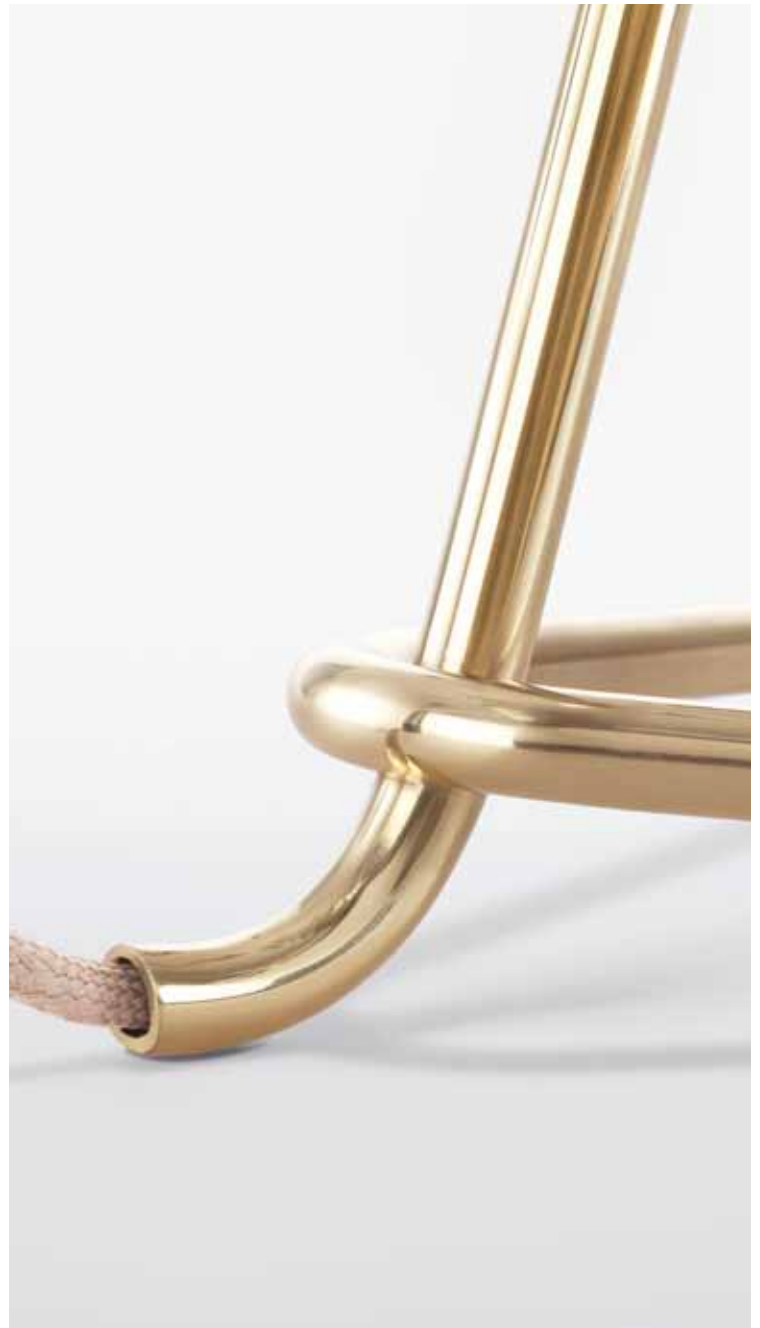


Hase TL


STILLFRIED
WIEN

40 WALKER STREET, 10013 NY T 212 226 2921

OFFICE@STILLFRIED.COM WWW.STILLFRIED.COM

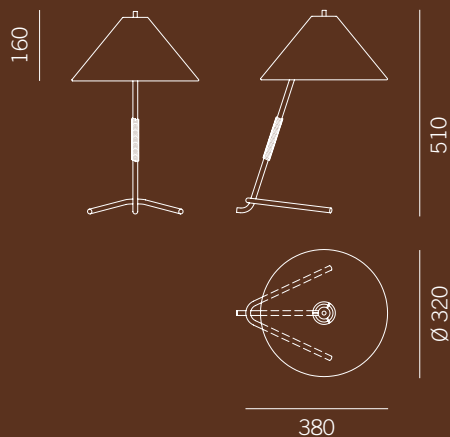


Hase TL Table Lamp

J.T. Kalmar created Hase by bending simple tubular metal and finishing it in polished brass. The table lamp assumes a more anthropomorphic quality than the floor model from which it is derived. In both cases, the naturally colored electrical cord blends in with Hase's canted lines. A leather grip permits easy repositioning across a desk or side table, where Hase provides directional and ambient light from a silken shade.

DIMENSIONS

in mm



MATERIAL OPTIONS

Metal | Leather
Polished Brass | Natural

Shade
Silken

Cable
Wheat Color Textile

Electrical Specifications
1 x E14 40W

Weight
1.2 kg

©2015 These designs are the exclusive property of J.T. Kalmar GmbH and may not be copied or adapted for this or any other use without express written permission



Polished Brass | Natural Leather