

**KALMAR®**  
WERKSTÄTTEN

Egon

40 WALKER STREET, 10013 NY T 212 226 2921

OFFICE@STILLFRIED.COM WWW.STILLFRIED.COM

  
**STILLFRIED**  
WIEN

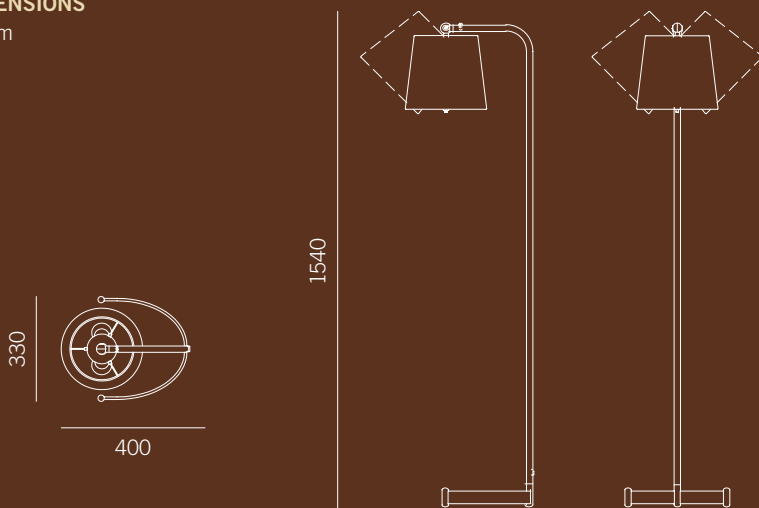


### Egon Floor Lamp

The Egon floor Lamp features a pivoting shade, which can be rotated and tilted according to needs for directional light. Intended for placement near armchairs and in living rooms, this work of superior craftsmanship is topped in a natural silk shade that emits warm, diffuse light for reading and lounging.

### DIMENSIONS

in mm



### MATERIAL OPTIONS

**Metal**  
Polished Nickel  
Polished Brass

**Shade**  
Silk

**Cable**  
Black Color Textile

**Electrical Specifications**  
2 x E27 40W

**Weight**  
5.2 kg

©2015 These designs are the exclusive property of J. T. Kalmar GmbH and may not be copied or adapted for this or any other use without express written permission