



KALMAR®
WERKSTÄTTEN

Dornstab | Dornstab 18


STILLFRIED
WIEN

40 WALKER STREET, 10013 NY T 212 226 2921

OFFICE@STILLFRIED.COM WWW.STILLFRIED.COM

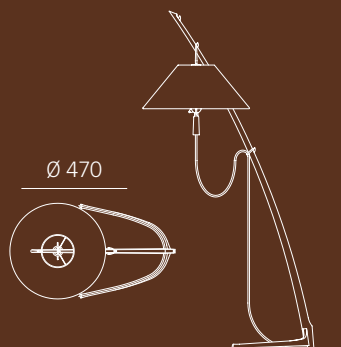


Dornstab | Dornstab 18

This freestanding luminaire from 1947 exemplifies Wiener Werkbund criteria. By threading the saber-shaped stand through the lamp shade, designers J.T. Kalmar and A. Pöll melded form as well as function—the stand allows the lamp shade to be positioned at three different, reader-friendly heights. The hardwood stand and handle may be left in a natural state with a protective oil or wax coating. The base reflects the lightness of the floor lamp as a whole; all metal parts can be finished in black bronze or polished brass.

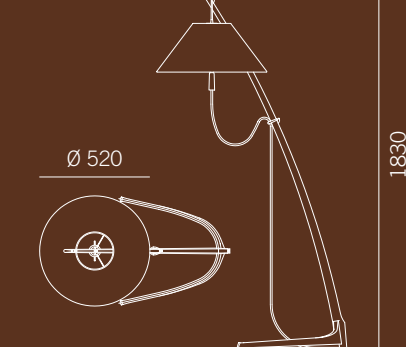
DIMENSIONS

Dornstab
in mm



DIMENSIONS

Dornstab 18
in mm



MATERIAL OPTIONS

Wood | Metal

- Rosewood | Black Bronze with Highlighted Edges*
- Wenge | Black Bronze with Highlighted Edges
- Oak | Black Bronze with Highlighted Edges
- Oak | Polished Brass*

Shade

Silk

Cable

Black Color Textile | Wheat Color Textile

Electrical Specifications

1 x E27 60W

Weight

Dornstab: 4.8 kg | Dornstab 18: 8.5 kg

*not available in Dornstab 18

©2015 These designs are the exclusive property of J.T. Kalmar GmbH and may not be copied or adapted for this or any other use without express written permission



Rosewood | Black Bronze with Highlighted Edges*



Wenge | Black Bronze with Highlighted Edges



Oak | Black Bronze with Highlighted Edges



Oak | Polished Brass