

SKETCH TABLE

M HOUE
D HENRIK PEDERSEN

Combinations of powder coated steel or aluminum, bamboo and Danish household plastic trash create a collection of well designed outdoor dining tables which all complement HOUE dining chairs perfectly, enabling beautiful settings in the garden.

In the design process, a lot of effort is put into form and shape to make tables, that not only please the eye, but also give optimal stability and functionality.



DIMENSIONS

63" x 35"
86.6" x 35"

MATERIALS

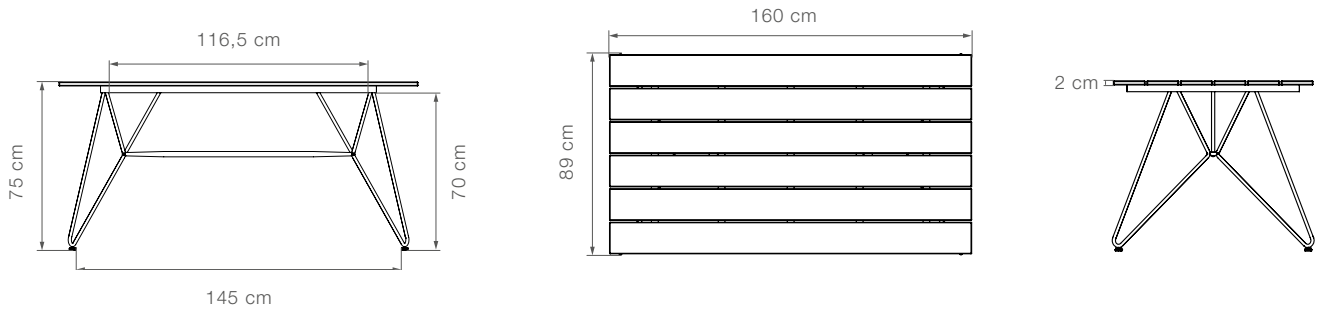
Frame: powder coated grey steel

Tabletop: Bamboo



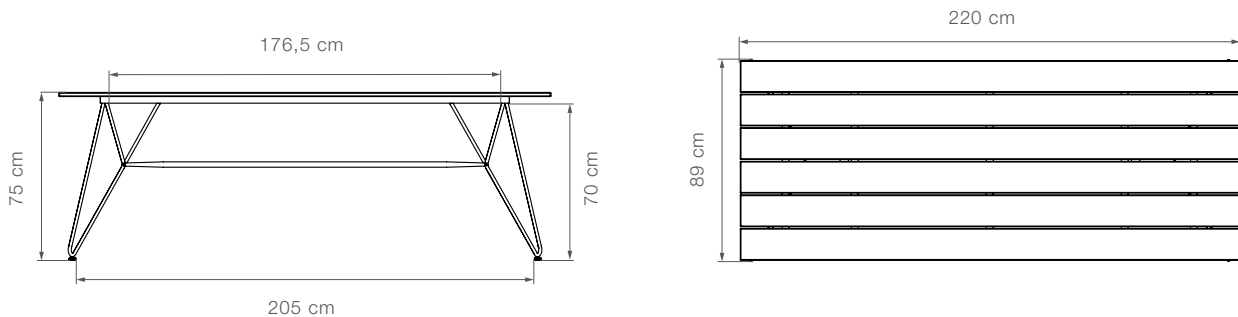


10705 SKETCH Dining table



Product weight	35,5 kg // 78,3 lbs	Width	89 cm // 35 in	Height under TT*	70 cm // 27,6 in	Space legs top	116,5 cm // 45,9 in
Tube size	Ø14/24 mm // 0,6/0,9 in	Length	160 cm // 63 in	TT* thickness	2 cm // 0,8 in	Diameter	N/A
Slats used	6 pcs	Height	75 cm // 29,5 in	Space legs floor	145 cm // 57,1 in		

10716 SKETCH Dining table



Product weight	44,8 kg // 98,8 lbs	Width	89 cm // 35 in	Height under TT*	70 cm // 27,6 in	Space legs top	176,5 cm // 69,5 in
Tube size	Ø14/24 mm // 0,6/0,9 in	Length	220 cm // 86,6 in	TT* thickness	2 cm // 0,8 in	Diameter	N/A
Slats used	6 pcs	Height	75 cm // 29,5 in	Space legs floor	205 cm // 80,7 in		