

FOUR BAR TABLE

M HOUE
D HENRIK PEDERSEN

Combinations of powder coated steel or aluminum, bamboo and Danish household plastic trash create a collection of well designed outdoor dining tables which all complement HOUE dining chairs perfectly, enabling beautiful settings in the garden.

In the design process, a lot of effort is put into form and shape to make tables, that not only please the eye, but also give optimal stability and functionality.



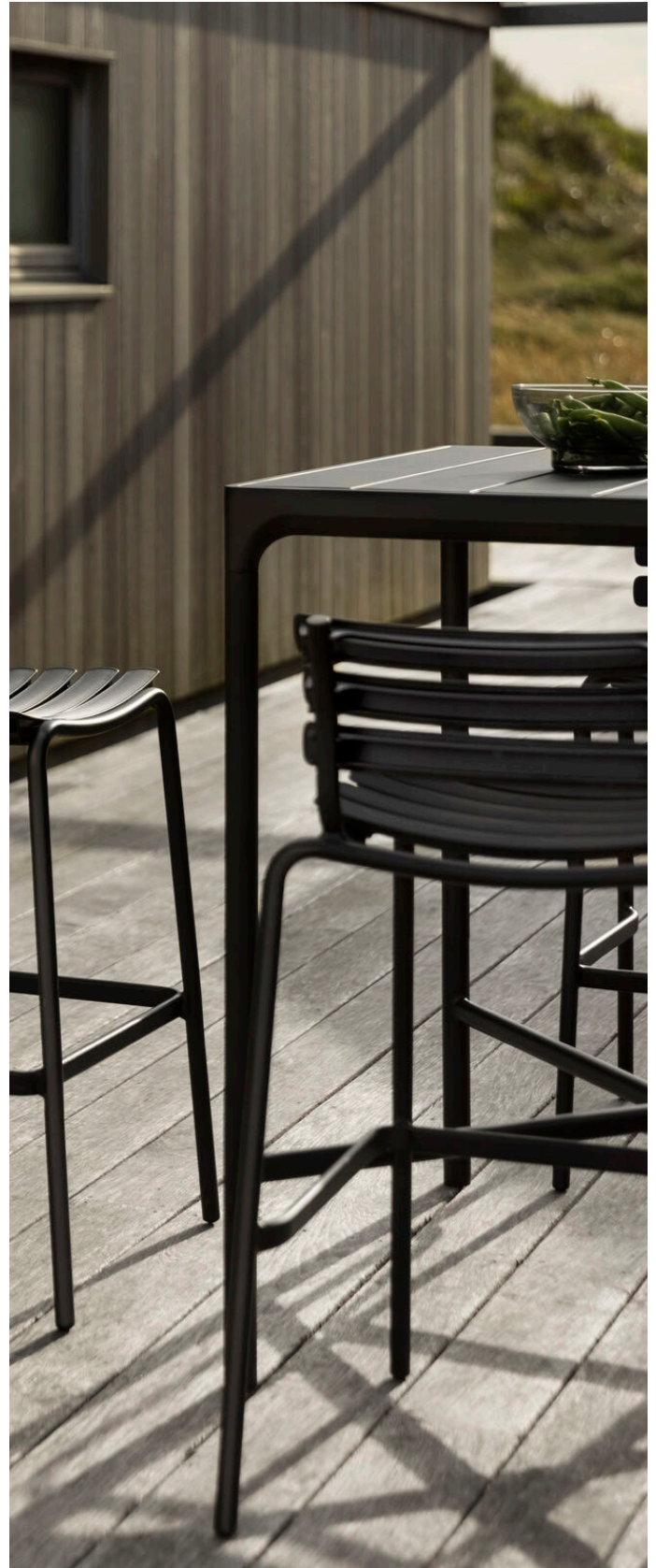
DIMENSIONS

35.4" x 35.4"
63" x 35.4"

MATERIALS

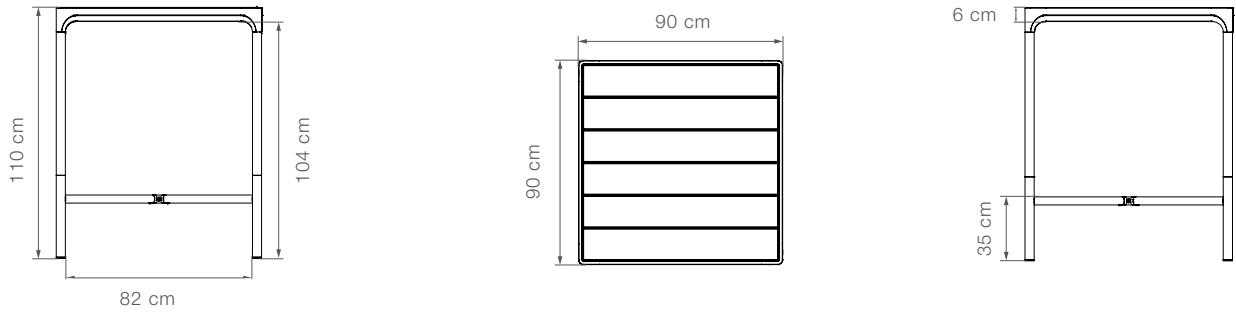
Frame: powder coated black steel / powder coated black aluminum

Tabletop: Bamboo / powder coated black aluminum



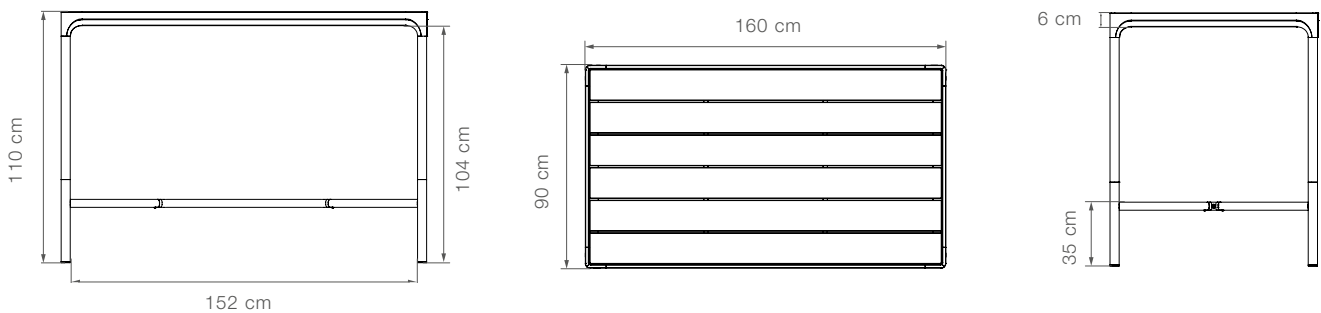


12424 FOUR Bar table



Product weight bamboo	22 kg // 48,5 lbs	Width	90 cm // 35,4 in	Height under TT*	104 cm // 40,9 in	Space legs top	82 cm // 32,3 in
Product weight aluminum	20,9 kg // 46,1 lbs	Length	90 cm // 35,4 in	TT* thickness	6 cm // 2,4 in	Bar height	35 cm // 13,8 in
Tube size	Ø40 mm // 1,6 in	Height	110 cm // 43,3 in	Space legs floor	82 cm // 32,3 in	Slats used	6 pcs

12425 FOUR Bar table



Product weight bamboo	32,7 kg // 72,1 lbs	Width	90 cm // 35,4 in	Height under TT*	104 cm // 40,9 in	Space legs top	152 cm // 59,8 in
Product weight aluminum	30,3 kg // 66,8 lbs	Length	160 cm // 63 in	TT* thickness	6 cm // 2,4 in	Bar height	35 cm // 13,8 in
Tube size	Ø40 mm // 1,6 in	Height	110 cm // 43,3 in	Space legs floor	152 cm // 59,8 in	Slats used	6 pcs