

CIRCLE TABLE

M HOUE

D HENRIK PEDERSEN

Combinations of powder coated steel or aluminum, bamboo and Danish household plastic trash create a collection of well designed outdoor dining tables which all complement HOUE dining chairs perfectly, enabling beautiful settings in the garden. In the design process, a lot of effort is put into form and shape to make tables, that not only please the eye, but also give optimal stability and functionality.



DIMENSIONS

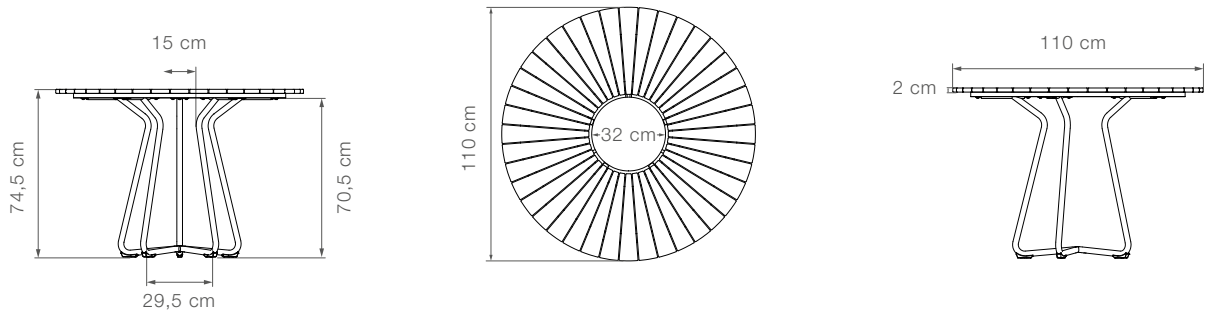
Ø 43.3" / 59.1"

MATERIALS

Frame: powder coated aluminum
Tabletop: bamboo with center granite stone

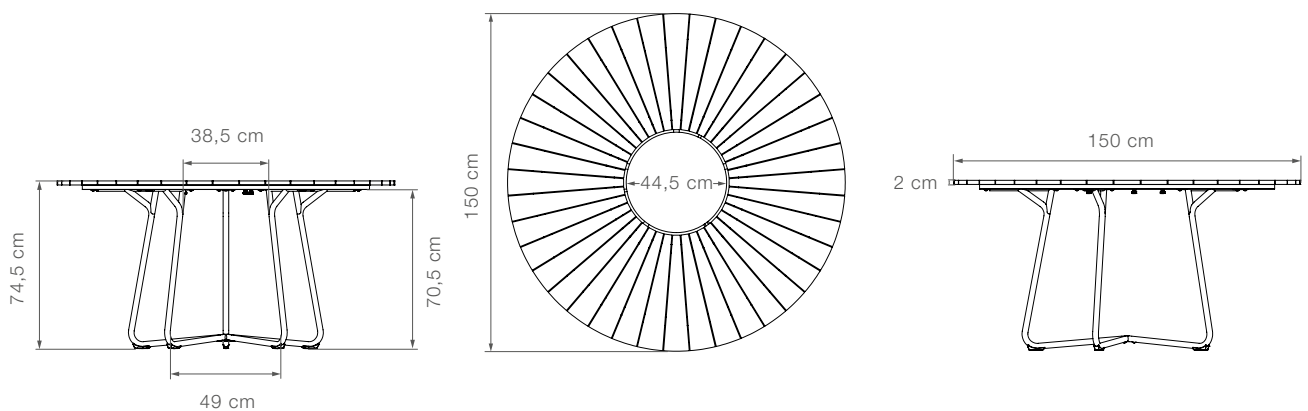


11005 CIRCLE Dining table



Product weight	21,5 kg // 47,4 lbs	Width	Ø110 cm // 43,3 in	Height under TT*	70,5 cm // 27,8 in	Space legs top	15 cm // 5,9 in
Tube size	Ø25 mm // 1 in	Depth	Ø110 cm // 43,3 in	TT* thickness	2 cm // 0,8 in	Granite stone	Ø32 cm // 12,6 in
Slats used	40 pcs	Height	74,5 cm // 29,3 in	Space legs floor	29,5 cm // 11,6 in	Diameter	110 cm // 43,3 in

11006 CIRCLE Dining table



Product weight	38,8 kg // 85,5 lbs	Width	Ø150 cm // 59,1 in	Height under TT*	70,5 cm // 27,8 in	Space legs top	38,5 cm // 15,2 in
Tube size	Ø25 mm // 1 in	Depth	Ø150 cm // 59,1 in	TT* thickness	2 cm // 0,8 in	Granite stone	Ø44,5 cm // 17,5 in
Slats used	40 pcs	Height	74,5 cm // 29,3 in	Space legs floor	49 cm // 19,3 in	Diameter	150 cm // 59,1 in