

## NAMI COLLECTION

**M** HOUE  
**D** HANS THYGE & CO.

The shell is made from Danish household plastic trash and the chair is produced in Denmark. The elegant curve in the shell is designed to resemble a wave washing over a beach. NAMI means wave and emphasizes the organic expression found in this elegant garden chair. The design is based on the forces and lines of nature and finds its natural place outdoors exposed to wind and weather. The beautiful, molded NAMI shell contains 97% Danish household plastic trash added 3% color pigment and the frame is powder-coated steel.

### MATERIALS

Shell made from Danish household plastic waste  
Powder coated grey steel frame

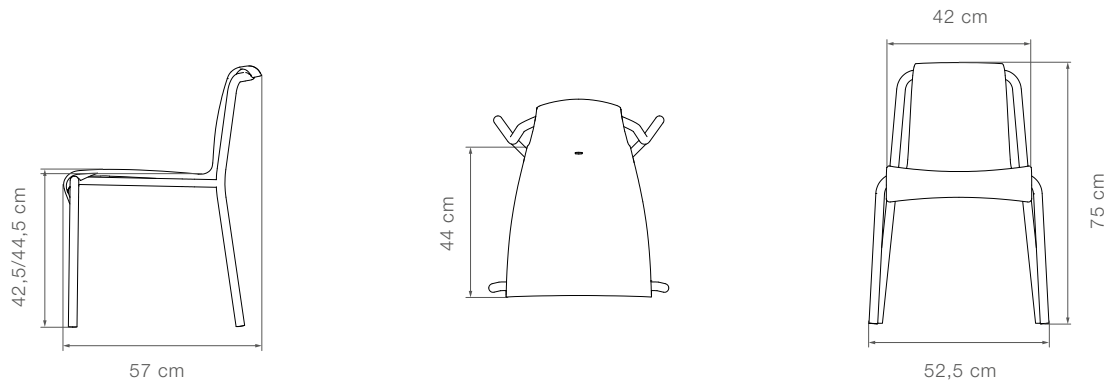
Maintenance: Repair lacquer





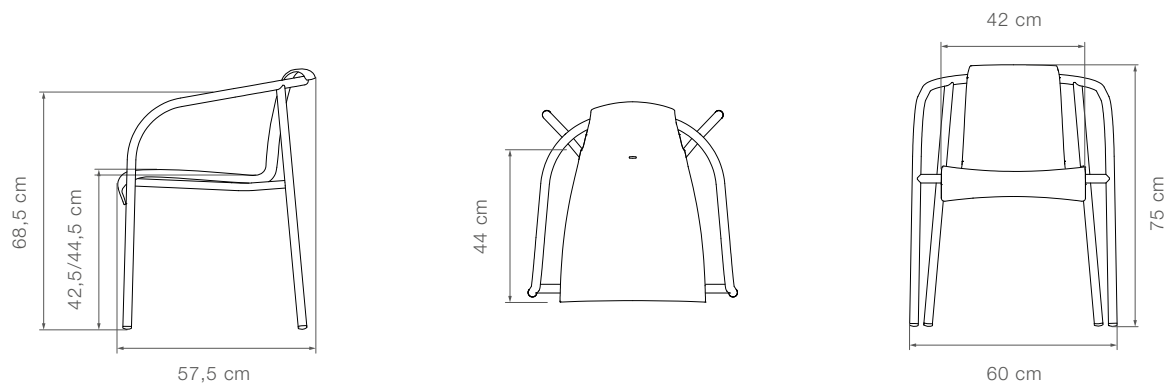


**23814 NAMI** Dining chair



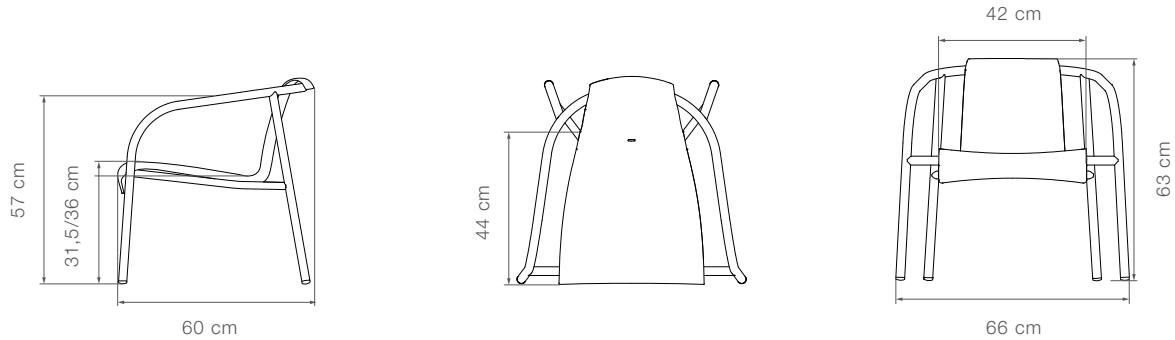
Product weight	5,8 kg // 12,8 lbs	Width	52,5 cm // 20,7 in	Seat width	42 cm // 16,5 in	Armrest height	N/A
Tube size	Ø25 mm // 1 in	Depth	57 cm // 22,4 in	Seat depth	44 cm // 17,3 in	Diameter	71 cm // 27,9 in
		Height	75 cm // 29,5 in	Seat height	42,5/44,5 cm // 16,7/17,5 in	Stackable max	10 chairs

**23801 NAMI** Dining chair, armrest



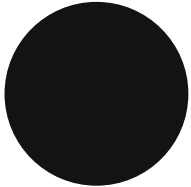
Product weight	6,9 kg // 15,2 lbs	Width	60 cm // 23,6 in	Seat width	42 cm // 16,5 in	Armrest height	68,5 cm // 27 in
Tube size	Ø25 mm // 1 in	Depth	57,5 cm // 22,4 in	Seat depth	44 cm // 17,3 in	Diameter	71 cm // 27,9 in
		Height	75 cm // 29,5 in	Seat height	42,5/44,5 cm // 16,7/17,5 in	Stackable max	10 chairs

**23811 NAMI** Lounge chair



Product weight	6,5 kg // 14,3 lbs	Width	66 cm // 26 in	Seat width	42 cm // 16,5 in	Armrest height	57 cm // 22,4 in
Tube size	Ø25 mm // 1 in	Depth	60 cm // 23,6 in	Seat depth	44 cm // 17,3 in	Diameter	82 cm // 32,3 in
		Height	63 cm // 24,8 in	Seat height	31,5/36 cm // 12,4/14,2 in	Stackable max	10 chairs

Monocolor



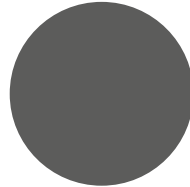
12/20

Black



49/27

Olive green



18/70

Dark grey

