

# MOLO SUNBED

M HOUE  
D HENRIK PEDERSEN

A Sunbed with soft rounded bamboo lamellas and a leg construction in powder coated black steel. The back of the MOLO Sunbed is adjustable with five different positions, which makes it possible to either lay down or sit. MOLO is versatile and can be used as a daybed too.



## DIMENSIONS

W 26.8" x L 79.3" H 13.6"

Adjustable in 5 positions

## MATERIALS

Bamboo lamellas  
Powder coated black steel legs

Cushion colors: Alpine, Char, Ash



4444  
Alpine  
Heritage  
18018 00 137

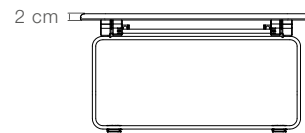
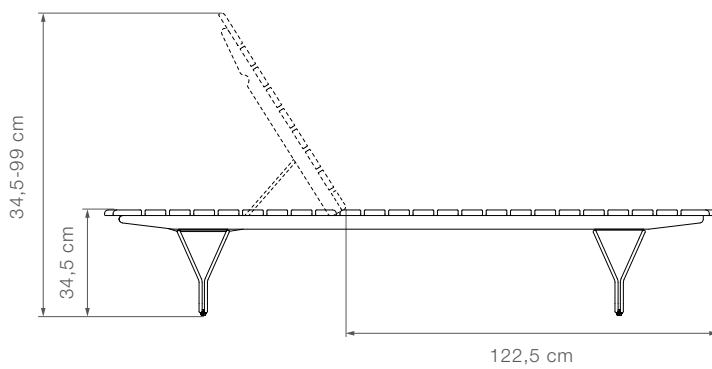
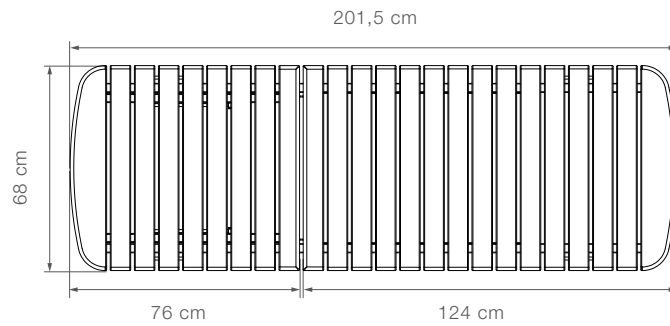


6868  
Char  
Heritage  
18009 00 137



9292  
Ash  
Heritage  
18001 00 137





Product weight	26 kg // 57,3 lbs	Width	68 cm // 26,8 in	Seat depth	122,5-124 cm // 48,2-48,8 in	Slats thickness	2 cm // 0,8 in
Tube size	Ø10 mm // 0,4 in	Length	201,5 cm // 79,3 in	Backrest length	76 cm // 29,9 in	Diameter	203 cm // 79,9 in
Slats used	24 pcs	Height	34,5 cm // 13,6 in	Backrest height	34,5-99 cm // 13,6-39 in	Positions	5