



Cora Public



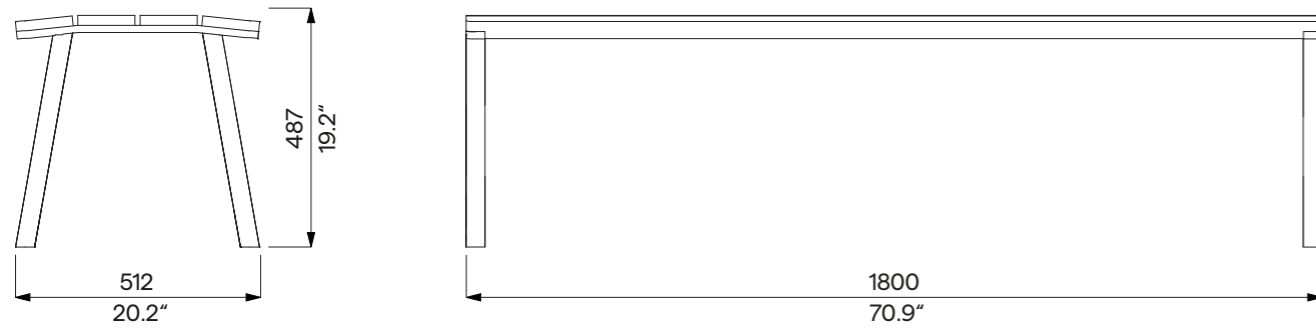
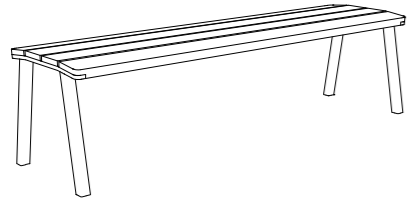






Cora
Bench without Backrest
1.8m / 5' 10.87"

LCA111



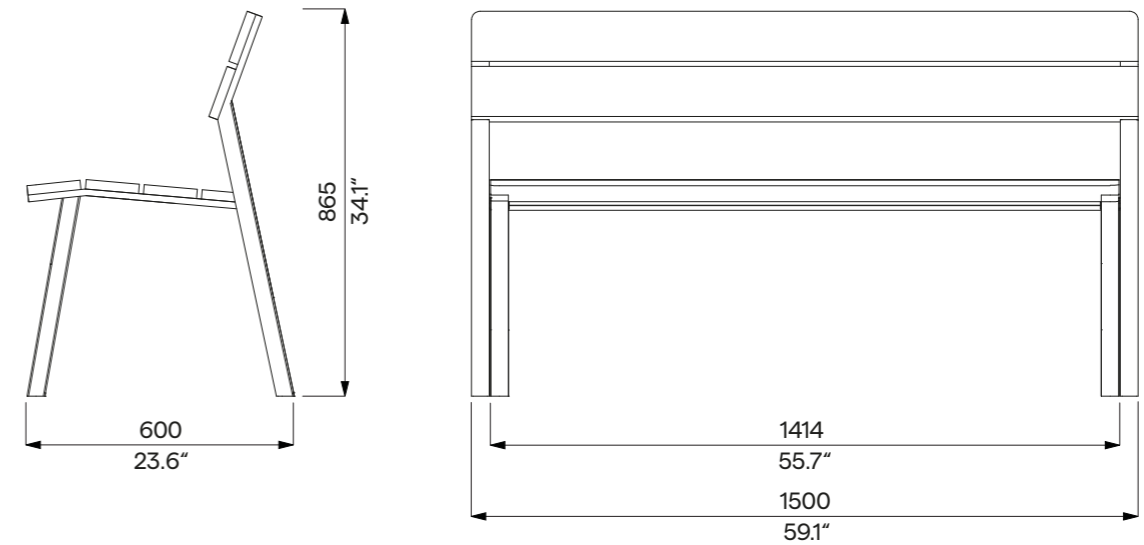
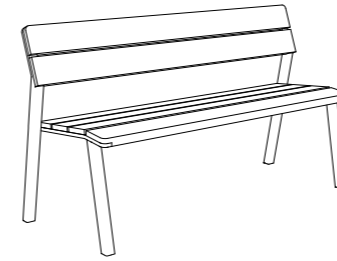
Design	Egoé studio
Structure	The lacquered welded steel side panels are joined by solid wood boards using stainless steel fasteners.
Steel parts	The surface treatment of the steel structure consists of a corrosion-protective zinc coating and a powder-bake varnish. The colour of the steel structure in a fine matt texture can be selected according to „Samplers RAL“.
Wooden parts	The boards are solid wood, alternatively wood or European thermally treated wood. <ul style="list-style-type: none"> • Seat 4 boards 120 x 36 x 1800 mm / 4.72" x 1.42" x 5'10.87"
Anchoring	Anchoring to the paving in the concrete base using M8 threaded rods according to the valid anchoring drawing. All elements of the urban furniture must be properly anchored, otherwise there is a risk of the product falling over during careless use, for which the manufacturer is not responsible.
Maintenance	Use the usual cleaning methods suitable for outdoor furniture.
Weight	with thermally treated wood 32 kg [70.6 lbs] with tropical wood 42.5 kg [93.7 lbs]

Technical Sheet / technisches Arbeitsblatt

The dimensions of the products are informative. We reserve the right to change the specifications without notice.

Cora
Bench with Backrest
1.5m / 4' 11.06"

LCA150

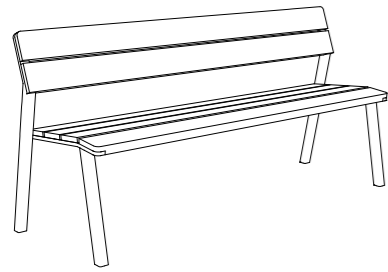


Design	Egoé studio
Structure	The welded steel structures of the sidewalls are connected by steel reinforcement and solid wooden boards using stainless steel fasteners.
Steel Parts	The surface treatment of the steel structure consists of a corrosion-protective zinc coating and a powder-bake varnish. The colour of the steel structure in a fine matt texture can be selected according to „Samplers RAL“.
Wooden Parts	The boards are made of solid tropical wood or European thermally treated wood. <ul style="list-style-type: none"> • Seat 4 boards 120 x 36 x 1414 mm / 4.72" x 1.42" x 4' 7.67" • Backrest 2 boards 120 x 36 x 1500 mm / 4.72" x 1.42" x 4' 11.06"
Anchoring	Anchoring to the paving in the concrete base using M8 threaded rods according to the valid anchoring drawing. All elements of the street furniture must be properly anchored according to the manufacturer's instruction, otherwise there is a risk of the product falling over during careless use, for which the manufacturer is not responsible.
Maintenance	Use the usual cleaning methods suitable for outdoor furniture.
Weight	with thermally treated wood 38 kg [84 lbs] with tropical wood 50.6 kg [111.55 lbs]

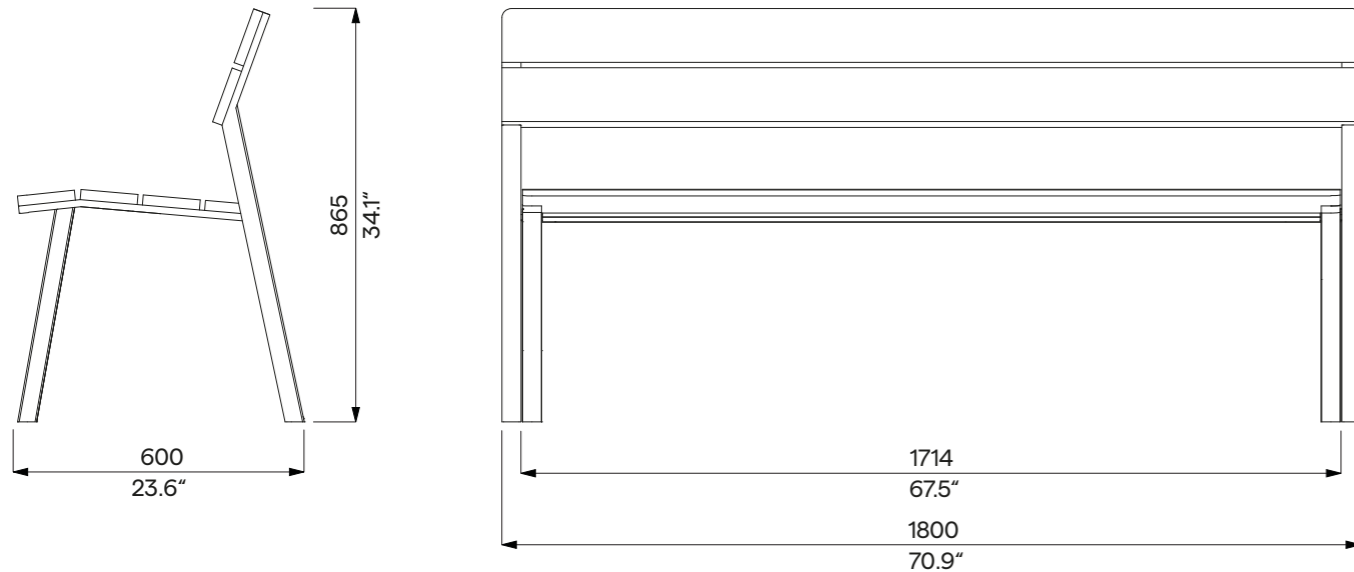
Technical Sheet / technisches Arbeitsblatt

The dimensions of the products are informative. We reserve the right to change the specifications without notice.

Cora
Bench with Backrest
1.8m / 5' 10.87"



LCA151



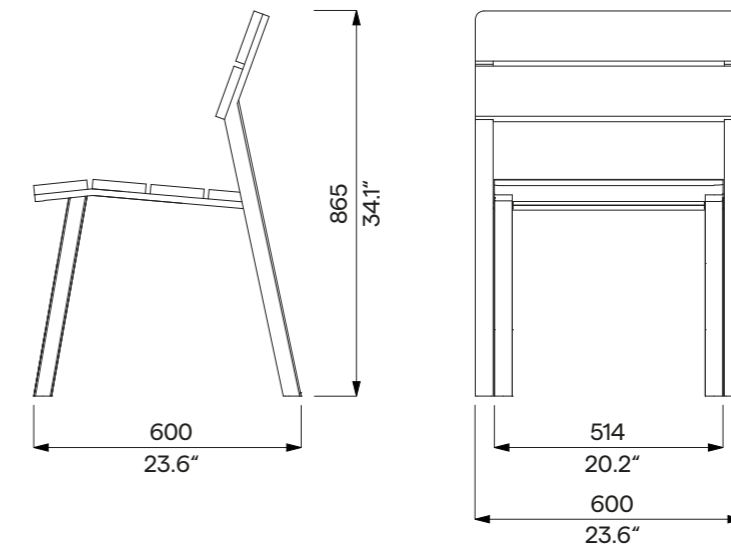
Design	Egoé studio
Structure	The welded steel structures of the sidewalls are connected by steel reinforcement and solid wooden boards using stainless steel fasteners.
Steel parts	The surface treatment of the steel structure consists of a corrosion-protective zinc coating and a powder-bake varnish. The colour of the steel structure in a fine matt texture can be selected according to „Samplers RAL“.
Wooden parts	The boards are solid wood, alternatively wood or European thermally treated wood. <ul style="list-style-type: none"> • Seat 4 boards 120 x 36 x 1714 mm / 4.72" x 1.42" x 5' 7.48" • Backrest 2 boards 120 x 36 x 1800 mm / 4.72" x 1.42" x 5' 10.87"
Anchoring	Anchoring to the paving in the concrete base using M8 threaded rods according to the valid anchoring drawing. All elements of the urban furniture must be properly anchored, otherwise there is a risk of the product falling over during careless use, for which the manufacturer is not responsible.
Maintenance	Use the usual cleaning methods suitable for outdoor furniture.
Weight	with thermally treated wood 44 kg [97 lbs] with tropical wood 59 kg [130 lbs]

Technical Sheet / technisches Arbeitsblatt
The dimensions of the products are informative. We reserve the right to change the specifications without notice.

Cora
Bench with Backrest
0.6m / 1' 11.62"



LCA152

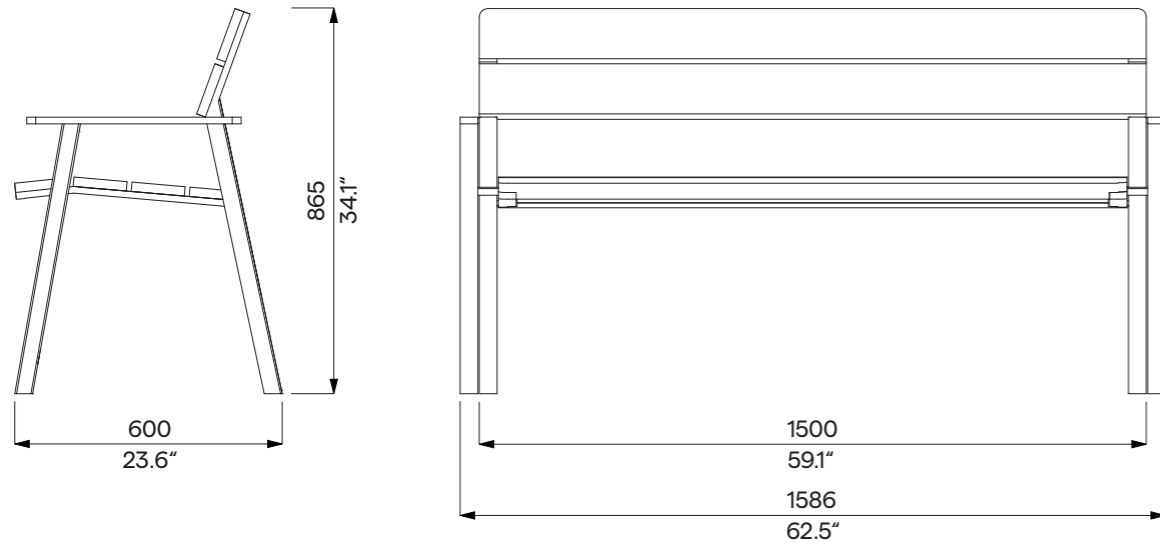
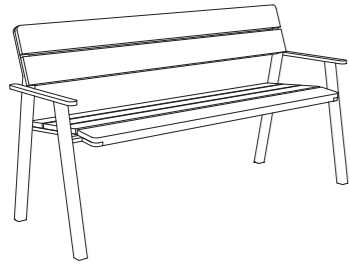


Design	Egoé studio
Structure	The welded steel structures of the sidewalls are connected by solid wooden boards using stainless steel fasteners.
Steel parts	The surface treatment of the steel structure consists of a corrosion-protective zinc coating and a powder-bake varnish. The colour of the steel structure in a fine matt texture can be selected according to „Samplers RAL“.
Wooden parts	The boards are solid wood, alternatively wood or European thermally treated wood. <ul style="list-style-type: none"> • Seat 4 boards 120 x 36 x 514 mm / 4.72" x 1.42" x 1' 8.24" • Backrest 2 boards 120 x 36 x 600 mm / 4.72" x 1.42" x 1' 11.62"
Anchoring	Anchoring to the paving in the concrete base using M8 threaded rods according to the valid anchoring drawing. All elements of the urban furniture must be properly anchored, otherwise there is a risk of the product falling over during careless use, for which the manufacturer is not responsible.
Maintenance	Use the usual cleaning methods suitable for outdoor furniture.
Weight	with thermally treated wood 22 kg [48.5 lbs] with tropical wood 26.4 kg [58,2 lbs]

Technical Sheet / technisches Arbeitsblatt
The dimensions of the products are informative. We reserve the right to change the specifications without notice.

Cora
Bench with Backrest and Armrest
1.5m / 4' 11.06"

LCA155



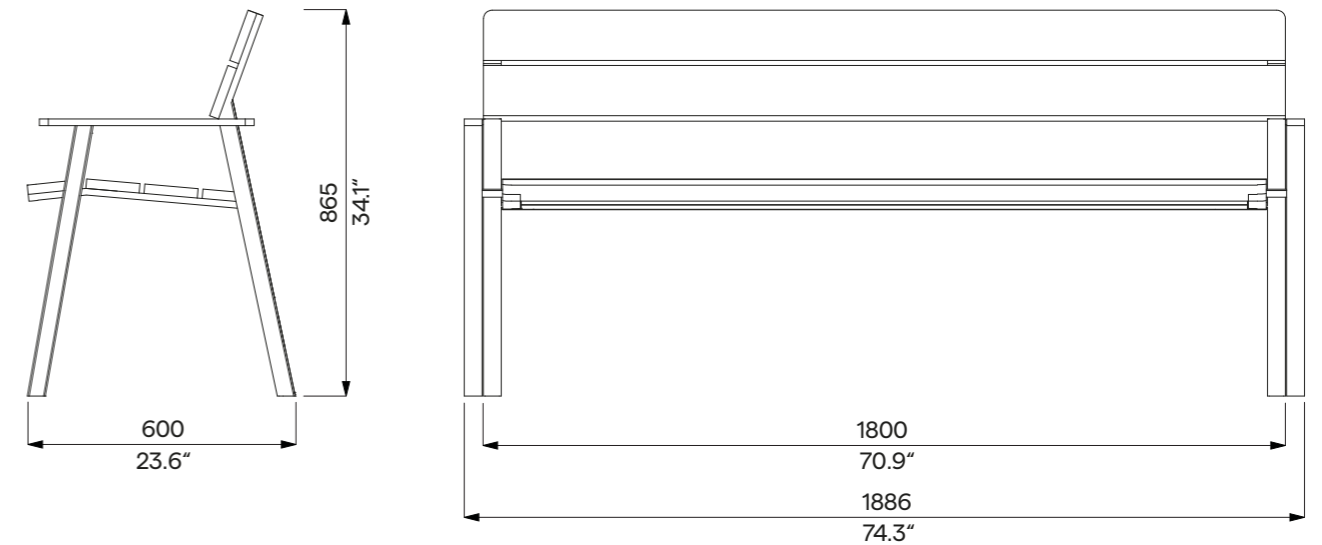
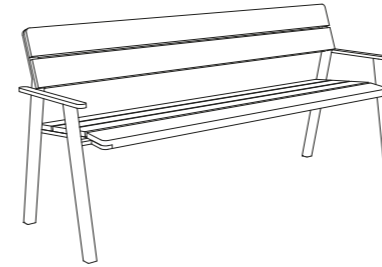
Design	Egoé studio
Structure	The welded steel structures of the sidewalls with armrests are connected by steel reinforcement and solid wooden boards using stainless steel fasteners.
Steel Parts	The surface treatment of the steel structure consists of a corrosion-protective zinc coating and a powder coating. The colour of the steel structure in a fine matt texture can be selected according to „Samplers RAL“.
Wooden Parts	The boards are made of solid tropical wood or European thermally treated wood. <ul style="list-style-type: none"> • Seat 4 boards 120 x 36 x 1414 mm / 4.72" x 1.42" x 4' 7.67" • Backrest 2 boards 120 x 36 x 1500 mm / 4.72" x 1.42" x 4' 11.06"
Anchoring	Anchoring to the paving in the concrete base using M8 threaded rods according to the valid anchoring drawing. All elements of the urban furniture must be properly anchored, otherwise there is a risk of the product falling over during careless use, for which the manufacturer is not responsible.
Maintenance	Use the usual cleaning methods suitable for outdoor furniture.
Weight	with thermally treated wood 44.6 kg [98.3 lbs] with tropical wood 57.5 kg [126.8 lbs]

Technical Sheet / technisches Arbeitsblatt

The dimensions of the products are informative. We reserve the right to change the specifications without notice.

Cora
Bench with Backrest and Armrest
1.8m / 5' 10.87"

LCA156

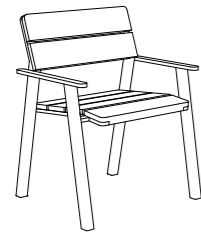


Design	Egoé studio
Structure	The welded steel structures of the sidewalls with armrests are connected by steel reinforcement and solid wooden boards using stainless steel fasteners.
Steel parts	The surface treatment of the steel structure consists of a corrosion-protective zinc coating and a powder coating. The colour of the steel structure in a fine matt texture can be selected according to „Samplers RAL“.
Wooden parts	The boards are solid wood, alternatively wood or European thermally treated wood. <ul style="list-style-type: none"> • Seat 4 boards 120 x 36 x 1714 mm / 4.72" x 1.42" x 5' 7.48" • Backrest 2 boards 120 x 36 x 1800 mm / 4.72" x 1.42" x 5' 10.87"
Anchoring	Anchoring to the paving in the concrete base using M8 threaded rods according to the valid anchoring drawing. All elements of the urban furniture must be properly anchored, otherwise there is a risk of the product falling over during careless use, for which the manufacturer is not responsible.
Maintenance	Use the usual cleaning methods suitable for outdoor furniture.
Weight	with thermally treated wood 50 kg [110.2 lbs] with tropical wood 65.3 kg [144 lbs]

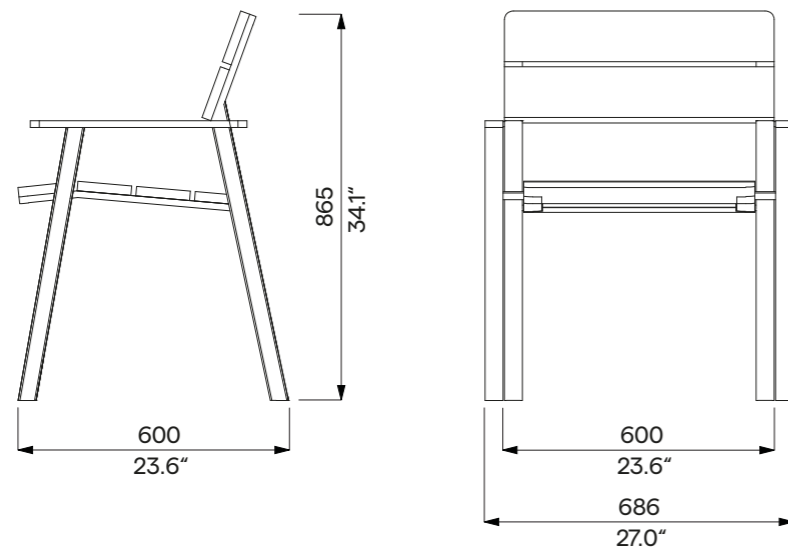
Technical Sheet / technisches Arbeitsblatt

The dimensions of the products are informative. We reserve the right to change the specifications without notice.

Cora
Bench with Backrest and Armrest
0.6m / 1' 11.62"



LCA157

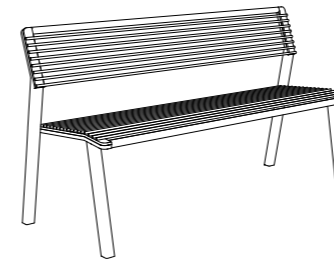


Design	Egoé studio
Structure	The welded steel structures of the sidewalls with armrests are connected by solid wooden boards using stainless steel fasteners.
Steel parts	The surface treatment of the steel structure consists of a corrosion-protective zinc coating and a powder coating. The colour of the steel structure in a fine matt texture can be selected according to „Samplers RAL“.
Wooden parts	The boards are solid wood, alternatively wood or European thermally treated wood. <ul style="list-style-type: none"> • Seat 4 boards 120 x 36 x 514 mm / 4.72" x 1.42" x 1' 8.24" • Backrest 2 boards 120 x 36 x 600 mm / 4.72" x 1.42" x 1' 11.62"
Anchoring	Anchoring to the paving in the concrete base using M8 threaded rods according to the valid anchoring drawing. All elements of the urban furniture must be properly anchored, otherwise there is a risk of the product falling over during careless use, for which the manufacturer is not responsible.
Maintenance	Use the usual cleaning methods suitable for outdoor furniture.
Weight	with thermally treated wood 28.1 kg [62 lbs] with tropical wood 32.8 kg [72.3 lbs]

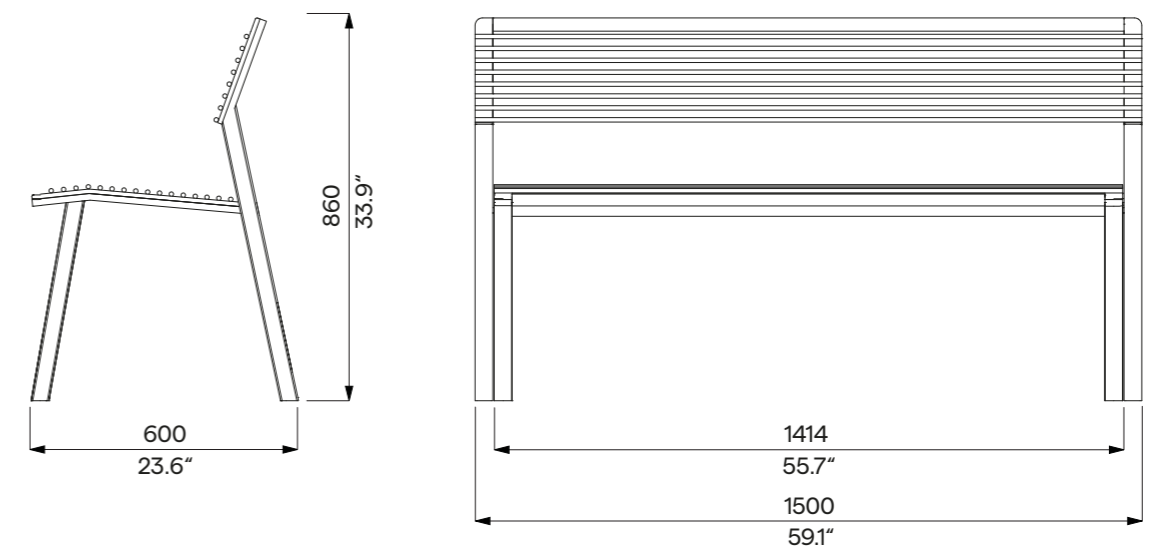
Technical Sheet / technisches Arbeitsblatt

The dimensions of the products are informative. We reserve the right to change the specifications without notice.

Cora
Bench with Backrest
1.5m / 4' 11.06"



LCA250



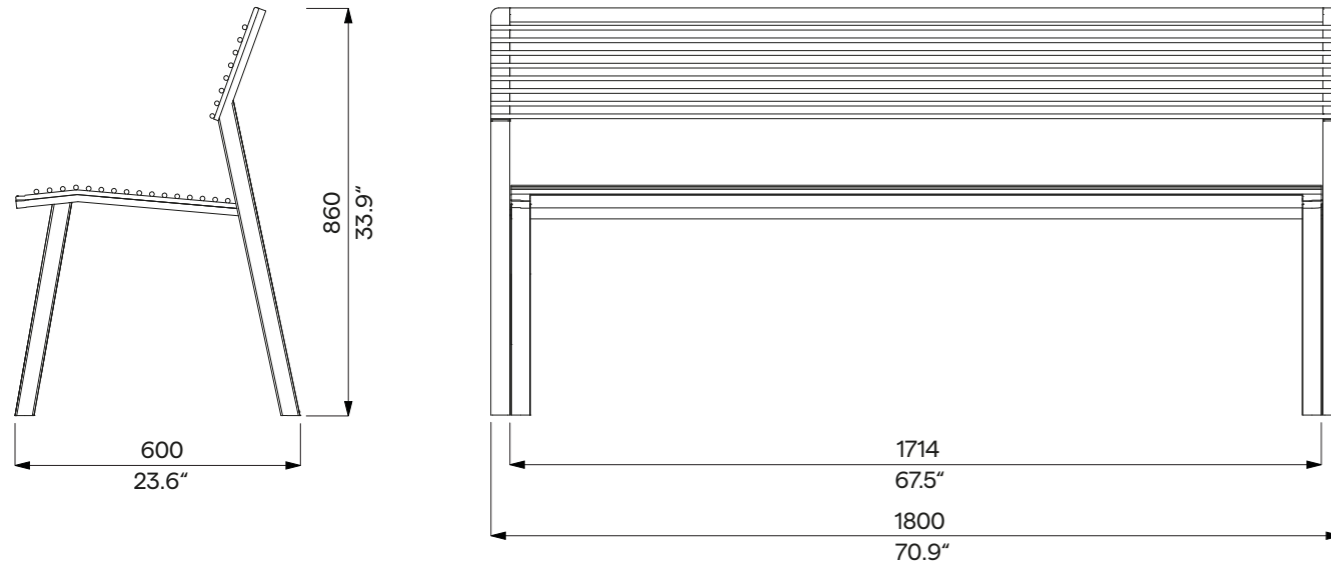
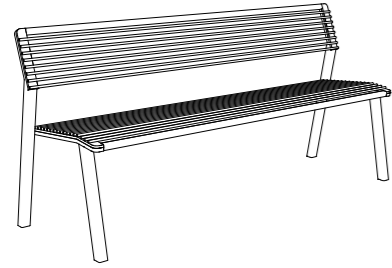
Design	Egoé studio
Structure	The welded steel structures of the sides are connected to the steel bars of the seat and backrest by stainless steel fasteners.
Steel parts	The supporting frame consist of two weldments of separate sidewalls made of closed steel sections. The seat is a welded frame made of steel plates and 10mm / 0.39" diameter steel bars. The backrest is a weldment of steel plates, steel and 10mm / 0.39" diameter bars. The surface treatment of the steel structure consists of a corrosion-protective zinc coating and a powder coating. The colour of the steel structure in a fine matt texture can be selected according to „Samplers RAL“.
Anchoring	Anchoring to the paving in the concrete base using M8 threaded rods according to the valid anchoring drawing. All elements of the urban furniture must be properly anchored, otherwise there is a risk of the product falling over during careless use, for which the manufacturer is not responsible.
Maintenance	Use the usual cleaning methods suitable for outdoor furniture.
Weight	53.5 kg [118 lbs]

Technical Sheet / technisches Arbeitsblatt

The dimensions of the products are informative. We reserve the right to change the specifications without notice.

Cora
Bench with Backrest
1.8m / 5' 10.87"

LCA251



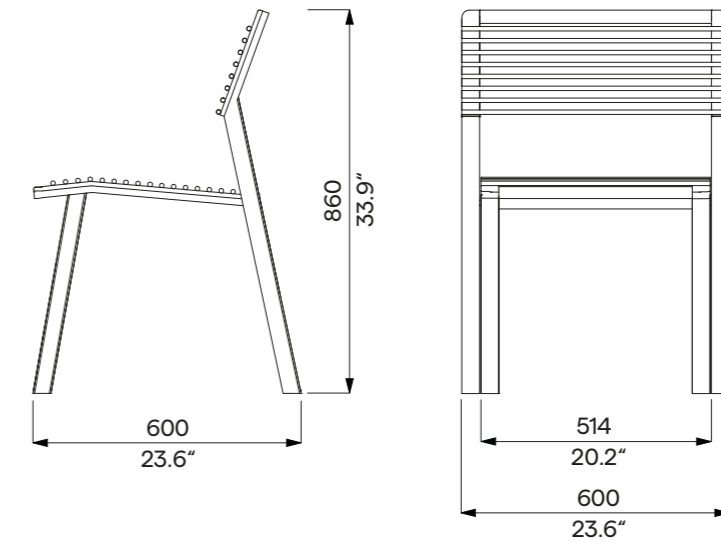
Design	Egoé studio
Structure	The welded steel structures of the sides are connected to the steel bars of the seat and backrest by stainless steel fasteners.
Steel Parts	The supporting frame is two weldments of separate sidewalls made of closed steel sections. The seat is a welded frame made of steel plates and 10mm / 0.39" diameter steel bars. The backrest is a weldment of steel plates, steel and 10mm / 0.39" diameter bars. The surface treatment of the steel structure consists of a corrosion-protective zinc coating and a powder coating. The colour of the steel structure in a fine matt texture can be selected according to „Samplers RAL“.
Anchoring	Anchoring to the paving in the concrete base using M8 threaded rods according to the valid anchoring drawing. All elements of the urban furniture must be properly anchored, otherwise there is a risk of the product falling over during careless use, for which the manufacturer is not responsible.
Maintenance	Use the usual cleaning methods suitable for outdoor furniture.
Weight	60.5 kg [133.4 lbs]

Technical Sheet / technisches Arbeitsblatt

The dimensions of the products are informative. We reserve the right to change the specifications without notice.

Cora
Bench with Backrest
0.6m / 1' 11.62"

LCA252



Design	Egoé studio
Structure	The welded steel structures of the sides are connected to the steel bars of the seat and backrest by stainless steel fasteners.
Steel Parts	The supporting frame is two weldments of separate sidewalls made of closed steel sections. The seat is a welded frame made of steel plates and 10mm / 0.39" diameter steel bars. The backrest is a weldment of steel plates, steel and 10mm / 0.39" diameter bars. The surface treatment of the steel structure consists of a corrosion-protective zinc coating and a powder coating. The colour of the steel structure in a fine matt texture can be selected according to „Samplers RAL“.
Anchoring	Anchoring to the paving in the concrete base using M8 threaded rods according to the valid anchoring drawing. All elements of the urban furniture must be properly anchored, otherwise there is a risk of the product falling over during careless use, for which the manufacturer is not responsible.
Maintenance	Use the usual cleaning methods suitable for outdoor furniture.
Weight	31.7 kg [70 lbs]

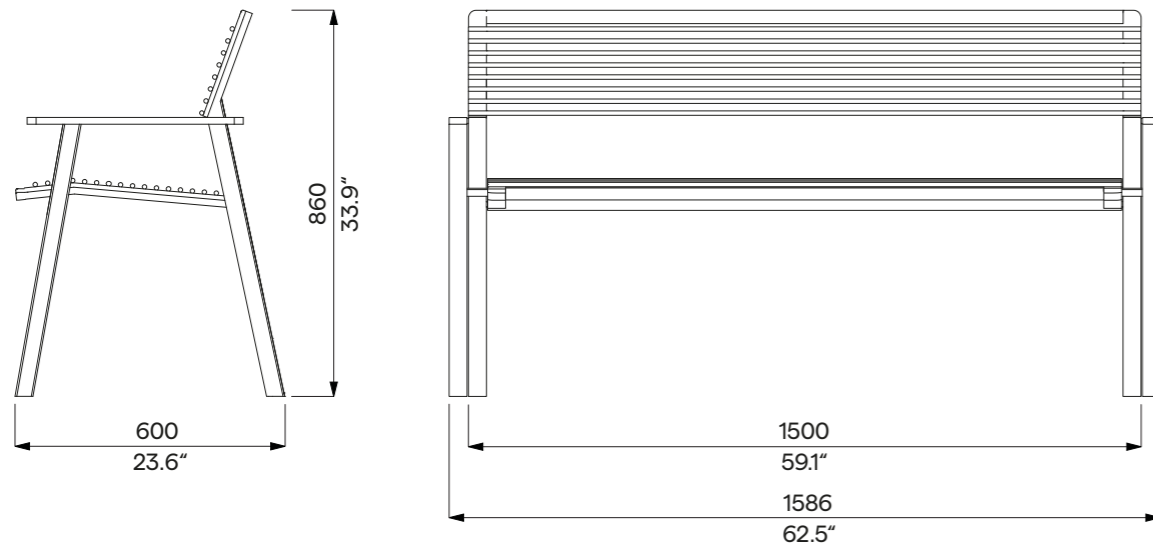
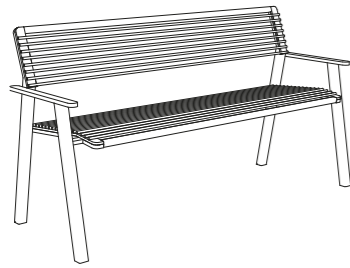
Technical Sheet / technisches Arbeitsblatt

The dimensions of the products are informative. We reserve the right to change the specifications without notice.

Cora
Bench with Backrest and Armrest
1.5m / 4' 11.06"

Cora

LCA255



Design	Egoé studio
Structure	The welded steel structures of the sidewalls with armrests are connected to the steel bars of the seat and backrest by stainless steel fasteners.
Steel Parts	The supporting frame is two weldments of separate sidewalls made of closed steel sections. The seat is a welded frame made of steel plates and 10mm / 0.39" diameter steel bars. The backrest is a weldment of steel plates, steel and 10mm / 0.39" diameter bars. The surface treatment of the steel structure consists of a corrosion-protective zinc coating and a powder coating. The colour of the steel structure in a fine matt texture can be selected according to „Samplers RAL“.
Anchoring	Anchoring to the paving in the concrete base using M8 threaded rods according to the valid anchoring drawing. All elements of the urban furniture must be properly anchored, otherwise there is a risk of the product falling over during careless use, for which the manufacturer is not responsible.
Maintenance	Use the usual cleaning methods suitable for outdoor furniture.
Weight	67 kg [144.7 lbs]

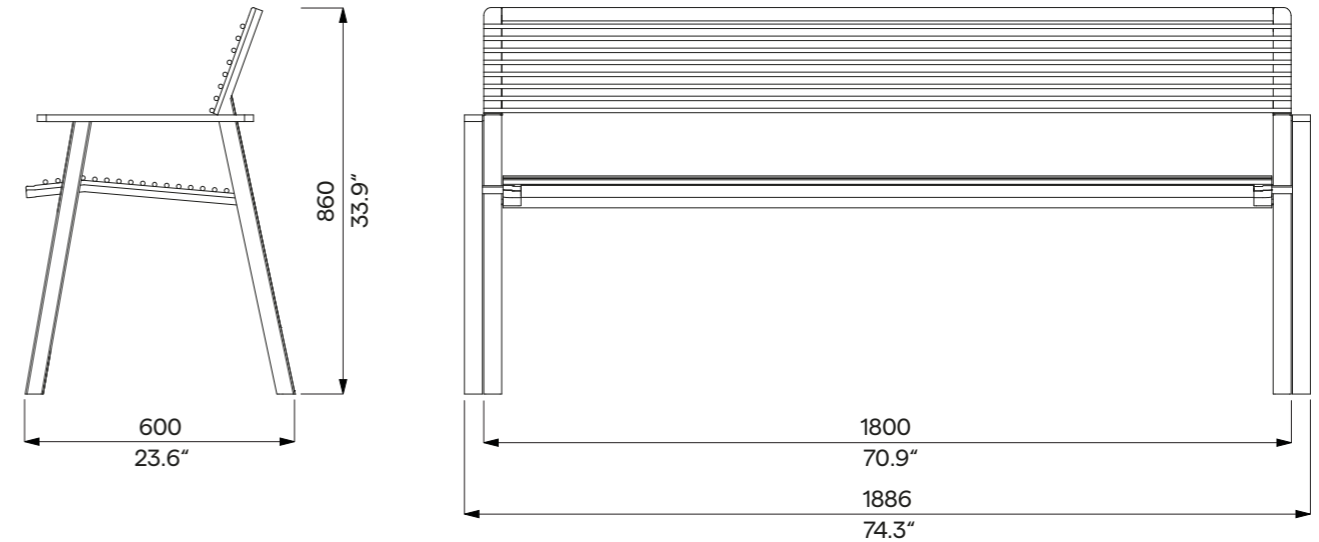
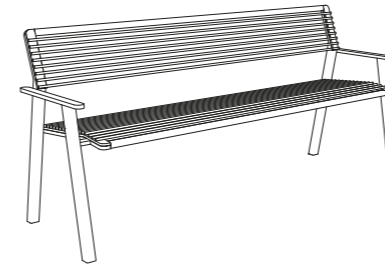
Technical Sheet / technisches Arbeitsblatt

The dimensions of the products are informative. We reserve the right to change the specifications without notice.

Cora
Bench with Backrest and Armrest
1.8m / 5'10.87"

Cora

LCA256



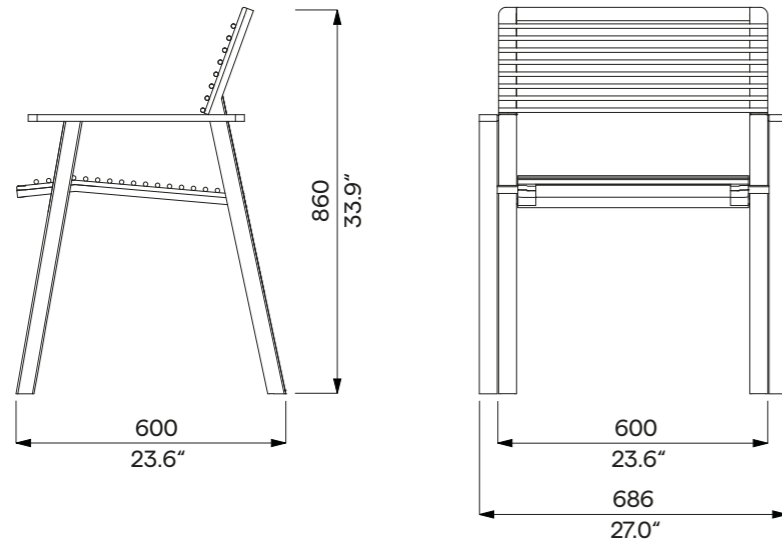
Design	Egoé studio
Structure	The welded steel structures of the sidewalls with armrests are connected to the steel bars of the seat and backrest by stainless steel fasteners.
Steel Parts	The supporting frame is two weldments of separate sidewalls made of closed steel sections. The seat is a welded frame made of steel plates and 10mm / 0.39" diameter steel bars. The backrest is a weldment of steel plates, steel and 10mm / 0.39" diameter bars. The surface treatment of the steel structure consists of a corrosion-protective zinc coating and a powder coating. The colour of the steel structure in a fine matt texture can be selected according to „Samplers RAL“.
Anchoring	Anchoring to the paving in the concrete base using M8 threaded rods according to the valid anchoring drawing. All elements of the urban furniture must be properly anchored, otherwise there is a risk of the product falling over during careless use, for which the manufacturer is not responsible.
Maintenance	Use the usual cleaning methods suitable for outdoor furniture.
Weight	67 kg [144.7 lbs]

Technical Sheet / technisches Arbeitsblatt

The dimensions of the products are informative. We reserve the right to change the specifications without notice.

Cora
Bench with Backrest and Armrest
0.6m / 1' 11.62"

LCA257



Design	Egoé studio
Structure	The welded steel structures of the sidewalls with armrests are connected to the steel bars of the seat and backrest by stainless steel fasteners.
Steel Parts	The supporting frame is two weldments of separate sidewalls made of closed steel sections. The seat is a welded frame made of steel plates and 10mm / 0.39" diameter steel bars. The backrest is a weldment of steel plates, steel and 10mm / 0.39" diameter bars. The surface treatment of the steel structure consists of a corrosion-protective zinc coating and a powder coating. The colour of the steel structure in a fine matt texture can be selected according to „Samplers RAL“.
Anchoring	Anchoring to the paving in the concrete base using M8 threaded rods according to the valid anchoring drawing. All elements of the urban furniture must be properly anchored, otherwise there is a risk of the product falling over during careless use, for which the manufacturer is not responsible.
Maintenance	Use the usual cleaning methods suitable for outdoor furniture.
Weight	38 kg [83.8 lbs]

Technical Sheet / technisches Arbeitsblatt

The dimensions of the products are informative. We reserve the right to change the specifications without notice.

RAL Swatch

