

AXIS COLLECTION

M EGOÉ
D DAVID KARÁSEK, RADEK HEGMAN

The Axis series could very well be named “Axis – an affordable classic”. It seems simple in a way but take a closer look. Egoé took these seemingly simple pieces and added special details which are rather intriguing. The structure is made of zinc-plated steel profiles with powder coating finish. The seat is made of tropical wood. The chairs are stackable.



FRAME
STEEL WITH
ZINC COATING AND
POWDER COATING

SEAT, BACKREST, ARMREST
ROBINA
ROBINA OILED
IPE
IPE OILED



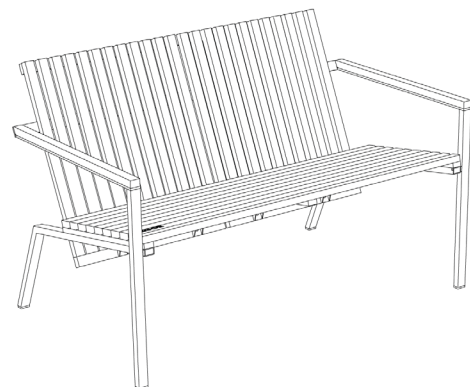
CHAIR
W 19.7" x D 26.4" x H 34.2"
SEAT HEIGHT 18.5"



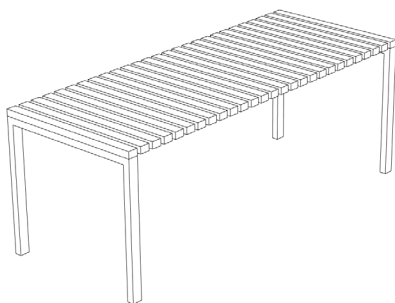
ARMCHAIR
W 19.7" x D 26.4" x H 34.2"
SEAT HEIGHT 18.5"



LOUNGE CHAIR
L 26.4" x W 28.3" x H 29.9"
SEAT HEIGHT 16.9"



TWO SEATER
W 47.2" x D 28.3" x H 29.9"
SEAT HEIGHT 16.9"



LOW TABLE / BENCH
W 44.1" x D 16.9" x H 16.5"



RAL Swatch 2022



Wood

