

ALVA COLLECTION

M EGOÉ
D DAVID KARÁSEK, RADEK HEGMAN

Lay down in the morning and you might not leave the whole day. Yes, the Alva deckchairs are made especially for a comfortable daylong rest. Thanks to the lightweight construction they are easy to move which might come in handy especially when you want to keep turning to the sun. And thanks to the durable material they are not only sun resistant but also immune to rain or sudden changes in temperature.

With a generally simple design, some of the models feature colorful armrests which almost scream: "Do not disturb, this is a relax zone!" The surface of the aluminum frame has a powder finish. The seat comes in varieties of timber or Batyline outdoor mesh material. The furniture is stackable and thanks to its light weight it is easy to move.

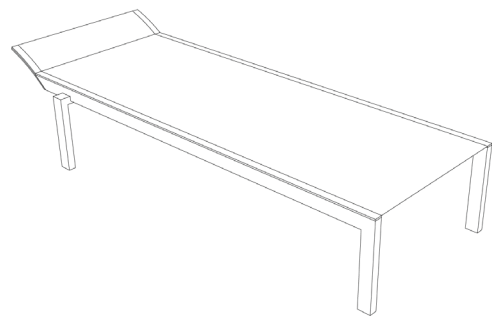
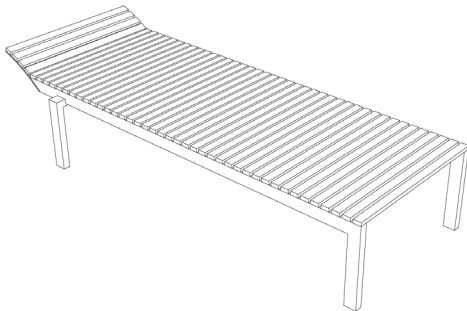


FRAME
ALUMINUM STRUCTURE

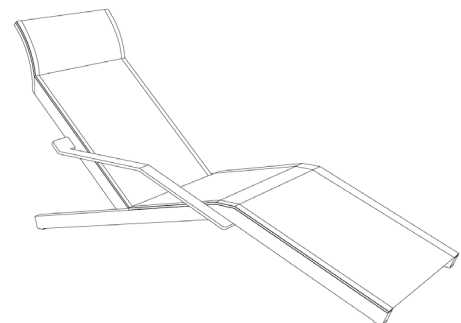
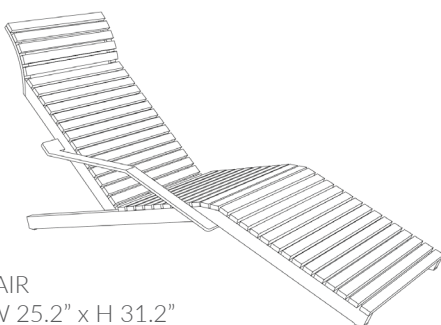
SURFACE
ROBINA
ROBINA OILED
IPE
IPE OILED
BATYLINE FABRIC



LOUNGE CHAIR
L 42.5" x W 23.2" x H 32.7"
SEAT HEIGHT 10.8"



DAYBED
L 76.8" x W 29.9" x H 18.1"
SEAT HEIGHT 13.8"



DECK CHAIR
L 62.2" x W 25.2" x H 31.2"
SEAT HEIGHT 11"





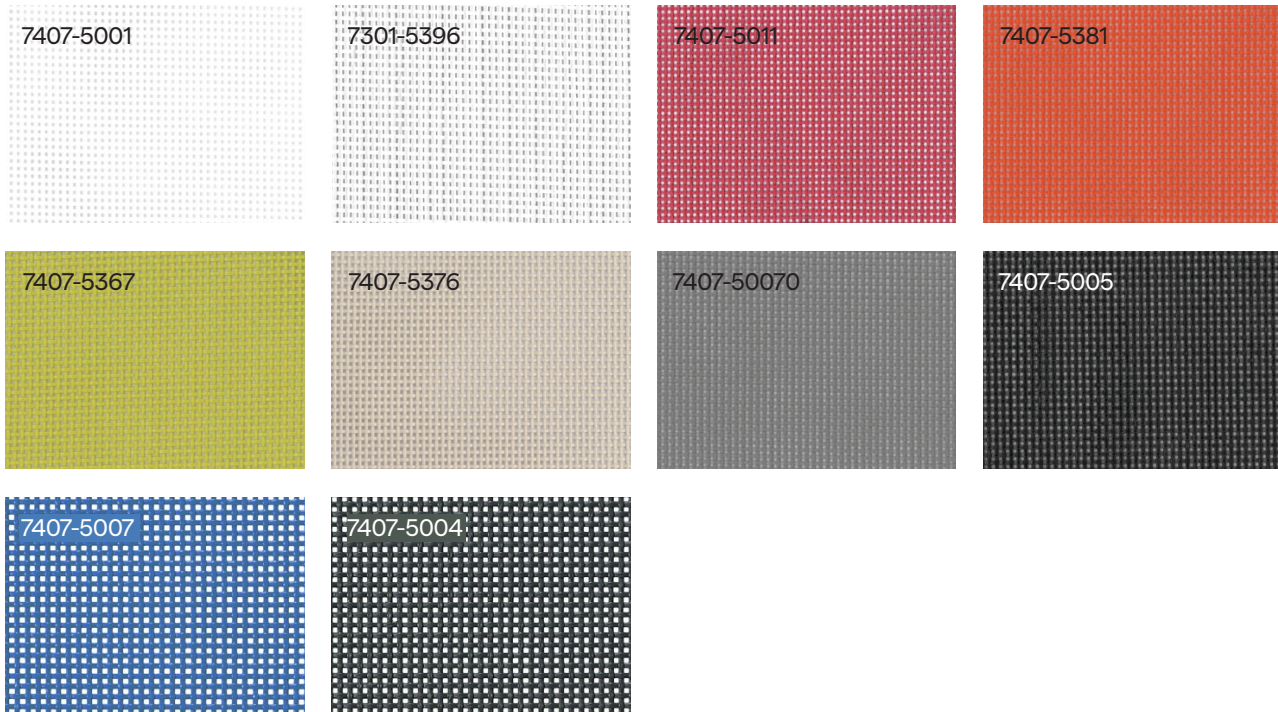


RAL Swatch 2022



Textile

Batylne DUO, ISO seats, backrests and laying surface, head rests



Wood

robinia with oil



robinia



IPE



IPE with oil



thermoash



thermoash with oil

