

DC09 GALERIE

STILLFRIED
WIEN



TABLE
DESIGN: DAVID CHIPPERFIELD, 2023

In 2012 David Chipperfield Architects were commissioned to restore the Neue Nationalgalerie in Berlin, an icon of twentieth-century architecture by Ludwig Mies van der Rohe, built from 1963 to 1968. Table GALERIE was originally designed for the café of the Neue Nationalgalerie. The table's slim and elongated outline reiterates the pure and striking character of the iconic building. In play with proportions GALERIE is scaled in small, medium and large with corresponding tabletops offered with short or extended overhangs. The modest and elegant structure of the table is reinforced with custom metal hardware, allowing for stability and the extended length of the overhangs. Made of solid oak, GALERIE is available with oiled finish or black lacquered.



TABLE
DESIGN: DAVID CHIPPERFIELD, 2023

DETAILS

- Thickness of the tabletop 30 mm
- Delivered disassembled
- Suitable for private or public interiors
- Three frame sizes S, M, L offered with short or extended overhang

MEASUREMENTS

LENGTH

82.6"
106.3"
129.9"
153.5"

WIDTH

36.3"

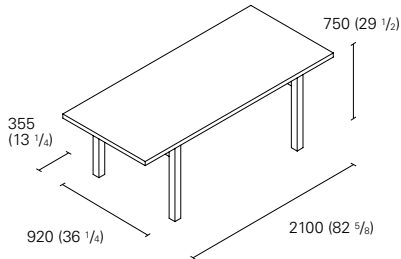
HÖHE / HEIGHT

29.5"

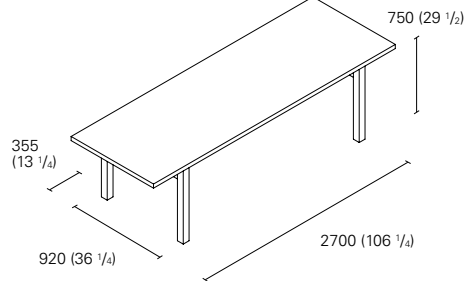
MATERIAL FINISH

OAK, OILED OR OAK
VENEER AND JET BLACK
FINISHED

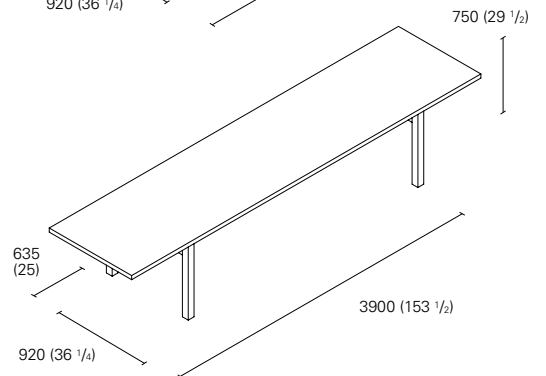
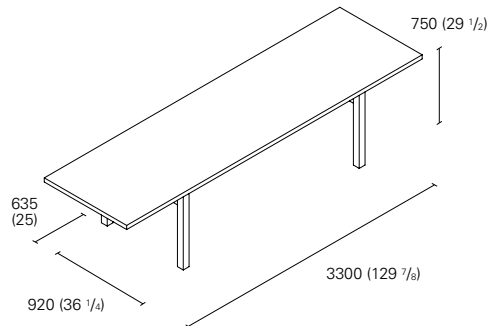
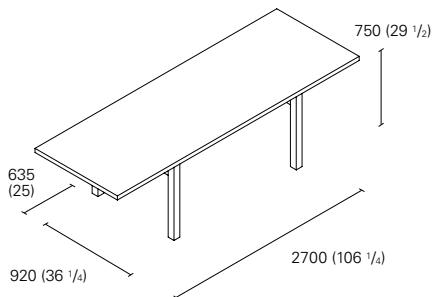
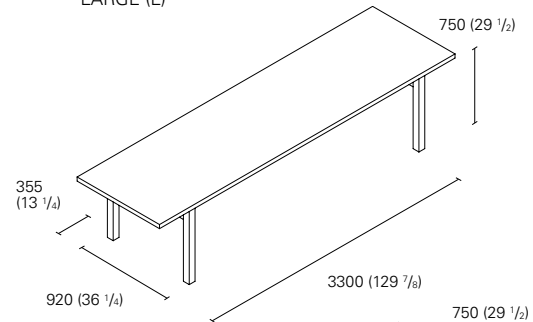
SMALL (S)



MEDIUM (M)



LARGE (L)









DC09 GALERIE

STILLFRIED
WIEN

