

**BE02 TARO**  
BANK / BENCH  
DESIGN: PHILIPP MAINZER, 1996

Die Bank TARO mit ihrer klaren Formensprache und ihrem Material aus Massivholz präsentiert die charakteristische Designästhetik von e15. /

The bench TARO with its clear lines and material in solid wood characterises e15's original design aesthetic.



**BE02 TARO**  
BANK / BENCH  
DESIGN: PHILIPP MAINZER, 1996

LÄNGE / LENGTH

1800 MM	(70 7/8 INCH)
2000 MM	(78 3/4 INCH)
2300 MM	(90 1/2 INCH)
2500 MM	(98 3/8 INCH)
2700 MM	(106 1/4 INCH)
3000 MM	(118 1/8 INCH)
3300 MM	(130 INCH)
3600 MM	(141 3/4 INCH)

TIEFE / DEPTH

400 MM	(15 3/4 INCH)
400 MM	(15 3/4 INCH)
400 MM	(15 3/4 INCH)
400 MM	(15 3/4 INCH)
400 MM	(15 3/4 INCH)
400 MM	(15 3/4 INCH)
400 MM	(15 3/4 INCH)
400 MM	(15 3/4 INCH)
400 MM	(15 3/4 INCH)

HÖHE / HEIGHT

470 MM	(18 1/2 INCH)
470 MM	(18 1/2 INCH)
470 MM	(18 1/2 INCH)
470 MM	(18 1/2 INCH)
470 MM	(18 1/2 INCH)
470 MM	(18 1/2 INCH)
470 MM	(18 1/2 INCH)
470 MM	(18 1/2 INCH)
470 MM	(18 1/2 INCH)

MATERIAL, OBERFLÄCHE / MATERIAL, FINISH



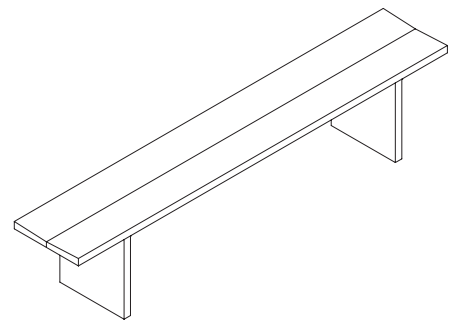
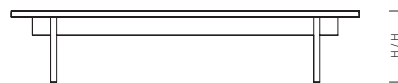
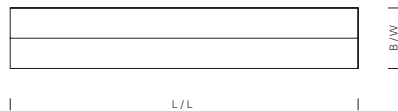
EICHE, GEÖLT / OAK, OILED



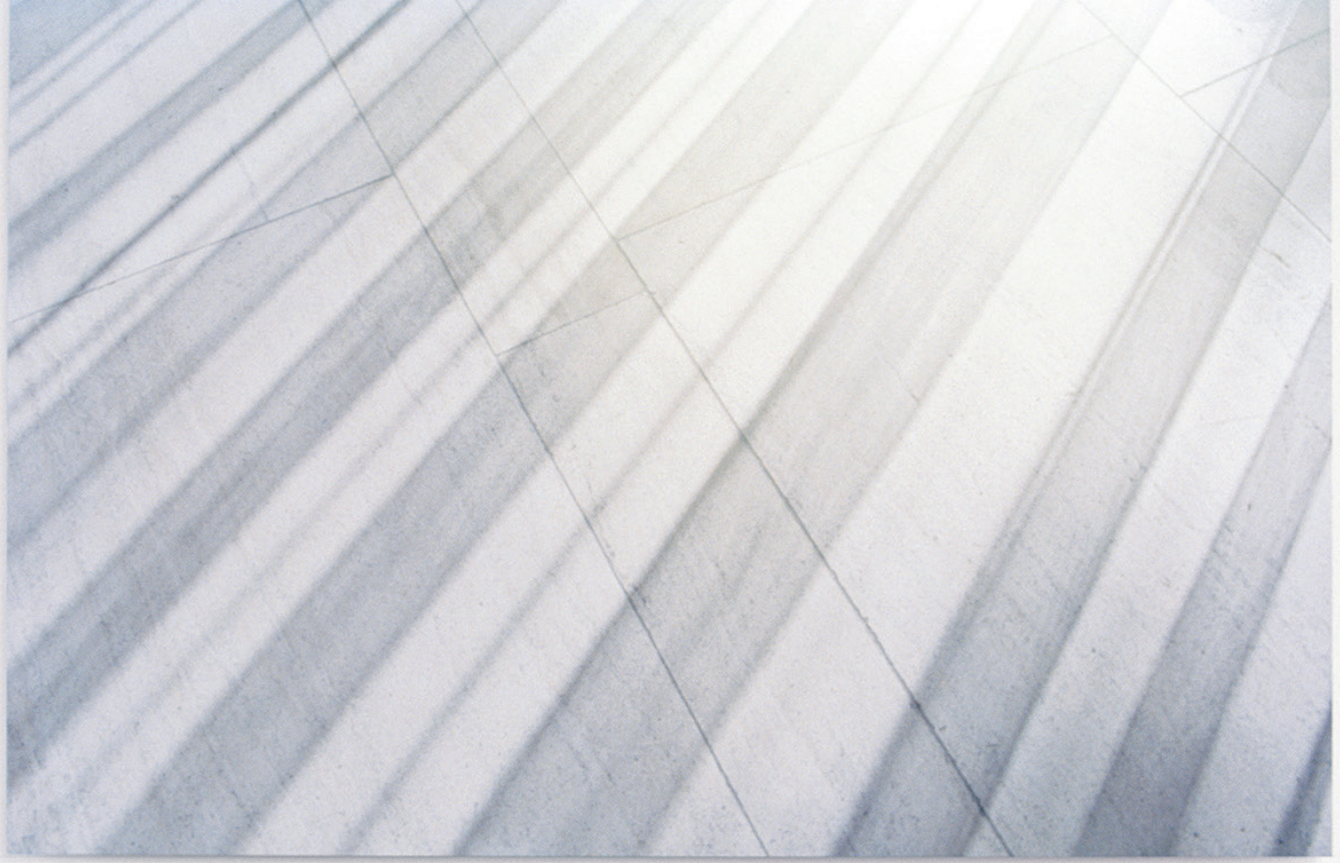
NUSSBAUM, GEÖLT / WALNUT, OILED



EICHE, WEISS PIGMENTIERT, GEWACHST / OAK, WHITE PIGMENTED, WAXED







BE02 TARO BANK / BENCH  
EICHE, GEÖLT / OAK, OILED