

**WAGNER ARMLEHNSTUHL
WAGNER ARMREST CHAIR**

OUT

OBJEKTE UNSERER TAGE



STILLFRIED
WIEN

Some places radiate a feeling of familiarity and intimacy. A cozy warmth in which we let ourselves fall and feel at home. The WAGNER Armrest Chair invites you to experience this feeling anywhere. The generous backrest is also a supporting armrest and cultivates the feeling of security. Lightness and serenity are evident in the filigree frame made of powder-coated steel, which harmonizes the design and makes it stackable. The uncompromising geometry from WAGNER documents local craftsmanship and redefines seating comfort in its class.

DESIGN

OUT, 2020

MATERIAL

Frame: Powder-coated steel; backrest and seat: plywood with real oak wood veneer; upholstery: various fabric an leather options (more options than standard options on demand)

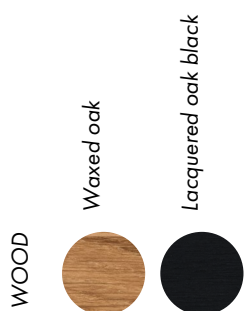
FRAME



BACKREST



SEAT



FABRICS



LEATHER



FABRICS

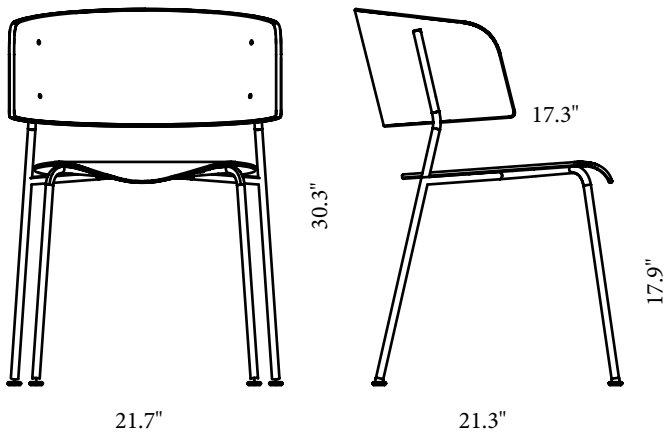
Mainline Flax by Camira
70% virgin wool, 30% flax, > 50.000 Martindale

Blazer by Camira
100% virgin wool, > 50.000 Martindale

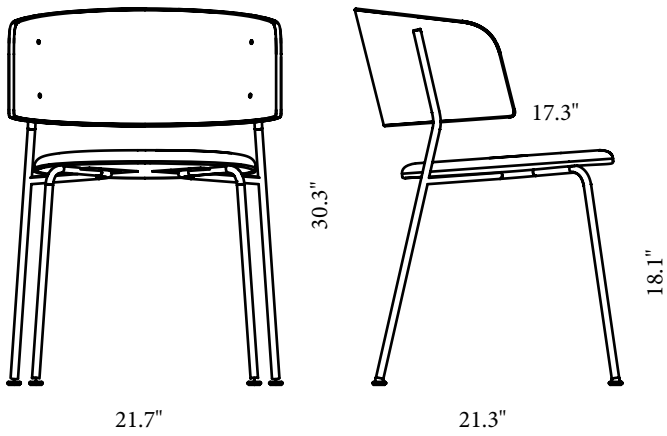
City Velvet Reloaded by JAB
100% Polyester, > 50.000 Martindale

DUNES Leather by Sørensen
Aniline leather, thickness 1.1-1.3 mm

Without upholstery



With upholstery







OUT
OBJEKTE UNSERER TAGE