

Griddle Hack XS User Guide

Warning: *Wipe down product before use, beware of any loose metal shards on surface. Do not touch any part of the griddle with bare hands while the grill is turned on. After the grill has been shut down, do not touch the griddle for an additional 30 minutes to allow the griddle time to cool down. Be aware of sharp edges on this product. BBQ Hack, LLC is not responsible for any damage done to your pellet grill or any voided warranties because of this product. This product may cause flare ups. Keep out of reach of children. If you use this product efficiently, you may experience an influx in houseguests due to a bunch of moochers wanting your delicious food. Proceed with caution.*

How to Season:

Why: Seasoning your Griddle Hack XS prevents rust and creates a natural, non-stick cooking surface.

When: Season your griddle when it is new out of the box, or if it is inactive for a long time.

How: Take the Griddle Hack XS out of box. Coat griddle surface, sides, and the outside of cone very lightly with a vegetable shortening (Crisco) or a high temperature oil such as canola oil or peanut oil. Remove the grates, drip tray, and heat shield from your pellet grill, and place the Griddle Hack XS inside (See Installation Instructions below). Start your grill and set it to the highest temperature. Once it is up to temperature, let the griddle bake for 2 hours. Then, shut off the grill and let the griddle cool down slowly in the grill for at least 4 hours before removing to allow the oil to set properly. For initial use, repeat these steps at least once more to allow a good layer of seasoning to be baked on the griddle. You can add more layers if you would like. The more you add, the better the cooking surface will be. Be careful not to put too much oil on at one time, which could result in an uneven cooking surface. Do not remove the Griddle Hack XS from your grill until it has had time to cool.

Installation Instructions:

Take the grill grates, drip tray and heat shield out of your grill. Place griddle into the center of your grill with the grease slot facing towards the grease drain system. The front and back of the Griddle Hack XS should set on the ledges that the grill grates normally sit on.

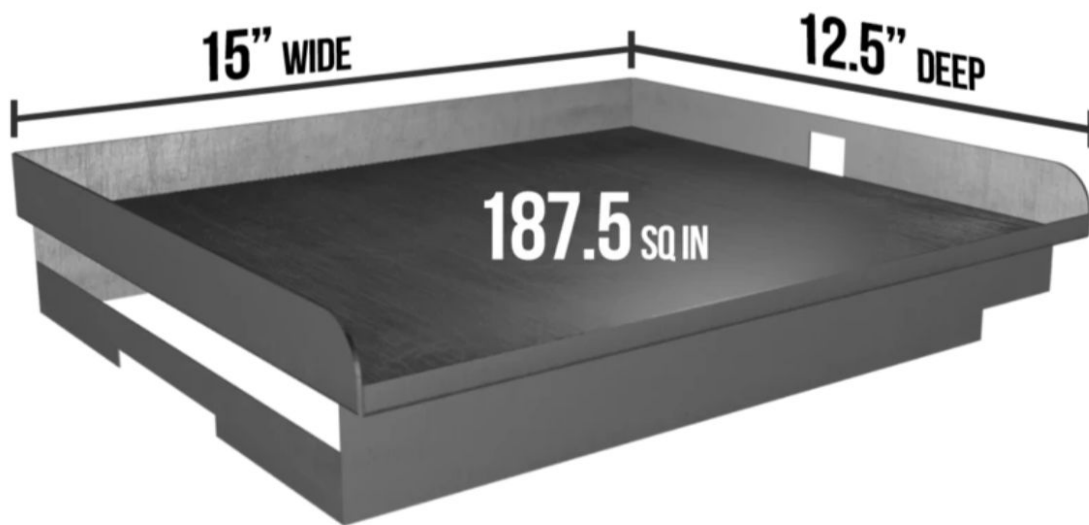
How to Use:

After griddle is correctly installed, turn the grill on. Once grill gets up to initial temperature, turn up to 225-275 degrees or to your desired griddle cook temp and let grill get up to temp before using griddle. For initial use on griddle, use any type of vegetable oil, olive oil, peanut oil, or lard to coat griddle top lightly to help the seasoning before use. Once the griddle top is lightly coated you may start cooking. After you finish cooking and the grill has been shut down, allow the griddle time to cool off. Then wipe down griddle top lightly with any type of cooking oil to add a protective coat on the griddle surface. Do not remove griddle from grill until the griddle has had time to cool off. NOTE: Lower temps can be achieved by closing the lid and setting desired temperature.

Limited Lifetime Warranty:

The BBQ Hack Griddle Hack XS has a Limited Lifetime Warranty that covers any manufacturer's defects. Any damage occurring due to improper use or neglect will not be covered. The griddle is covered under warranty if the griddle surface bows over ¼ inch up or down AFTER the griddle has cooled down (There may be a small amount of bowing during cooking, this is completely normal). This warranty does not cover rust, as it should be seasoned properly following the previous instructions. Approved warranties will result in the replacement of the defective item, customer is responsible for shipping. Please direct all claims to warranty@bbqhack.com

GRIDDLE HACK XS



BBQ Hack

bbqhack.com

(316) 844-0112

contact@bbqhack.com