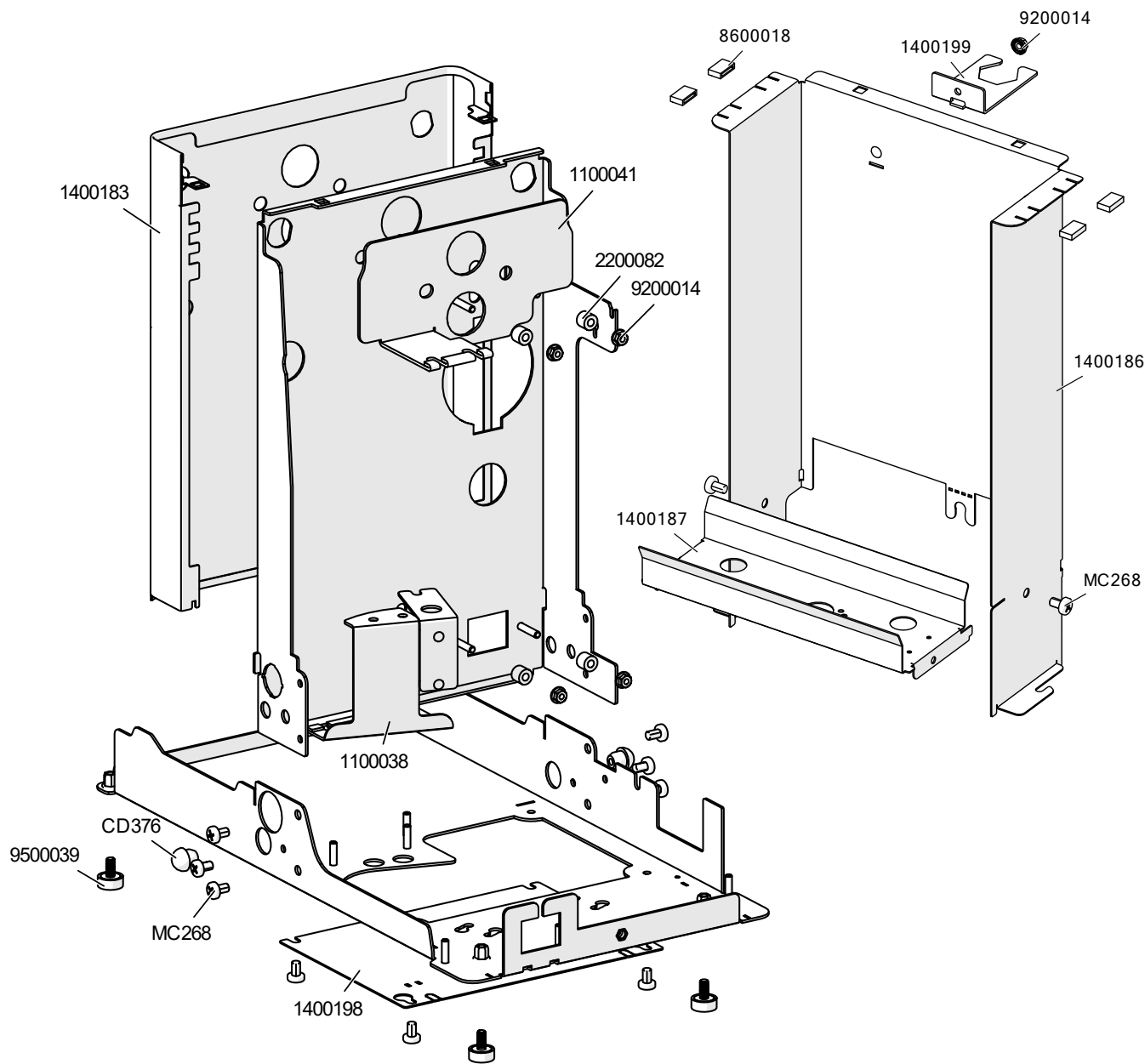


  
**LELIT**

Line Pro  
**MARAX - PL62X**

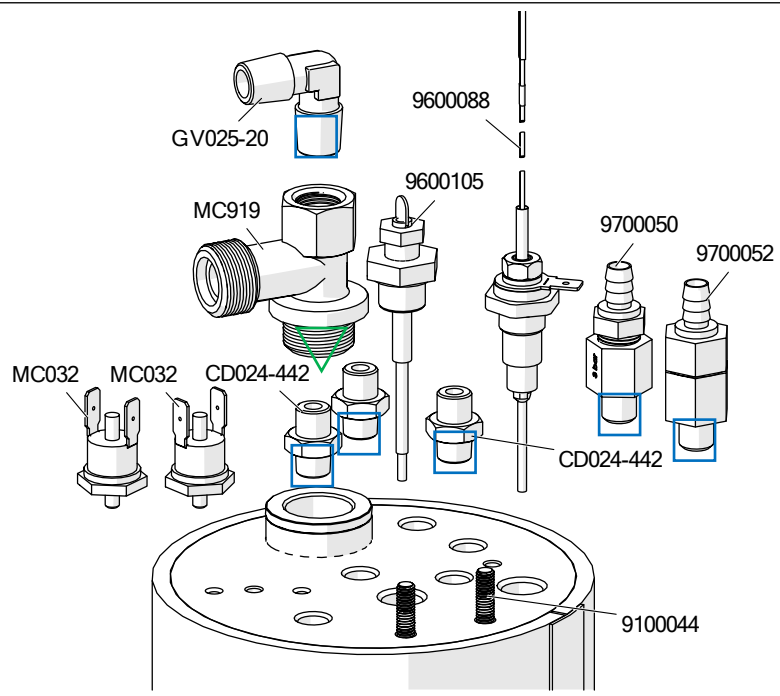
Technical Documentation

COD. 5400000  
REV00



CODE	DESCRIPTION
1100038	BOILER SUPPORT
1100041	REINFORCEMENT PLAQUE FOR E61 GROUP
1400183	PL62X MACHINE FRONT PANEL
1400186	PANNEL FOR WATER TANK PROTECTION
1400187	WATER TANK SUPPORT
1400198	INSPECTION COVER
1400199	PLAQUE FOR BOILER
2200082	SPACER
8600018	RUBBER SUPPORTING FOR DRIP TRAY GRATE
9200014	NUT M4 DIN6923 ZB INOX
9500039	ADJUSTABLE FEET M5
CD376	RUBBER SPACER
<b>MC268</b>	<b>SCREW 5X8</b>

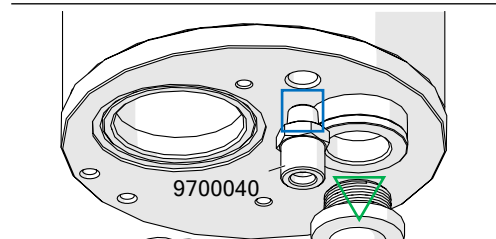




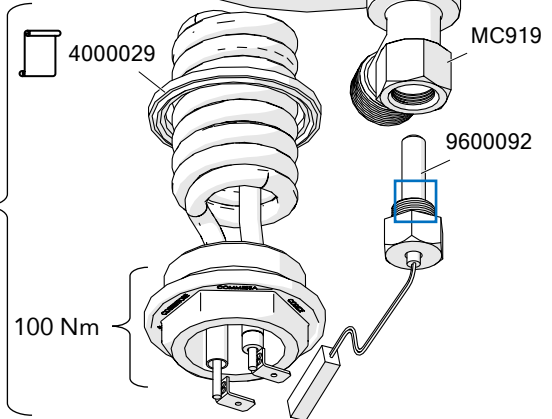
△ = use sealant Loxeal 85-86 (COD. 6000003)

□ = use sealant Loxeal 55-03 (COD. 6000011)

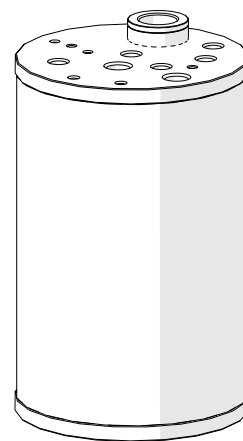
☐ = code with related instructions



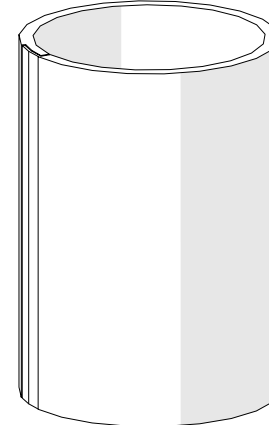
FOR SAFETY REASONS WHEN YOU CHANGE THE HEATING ELEMENT YOU MUST ALSO CHANGE THE GASKET (ASSEMBLY CODE 4000028)



CODE: 2000020



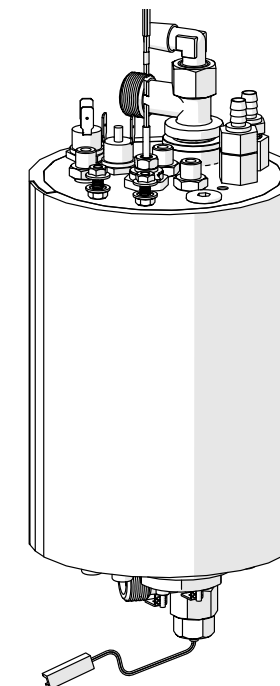
CODE: 8300008



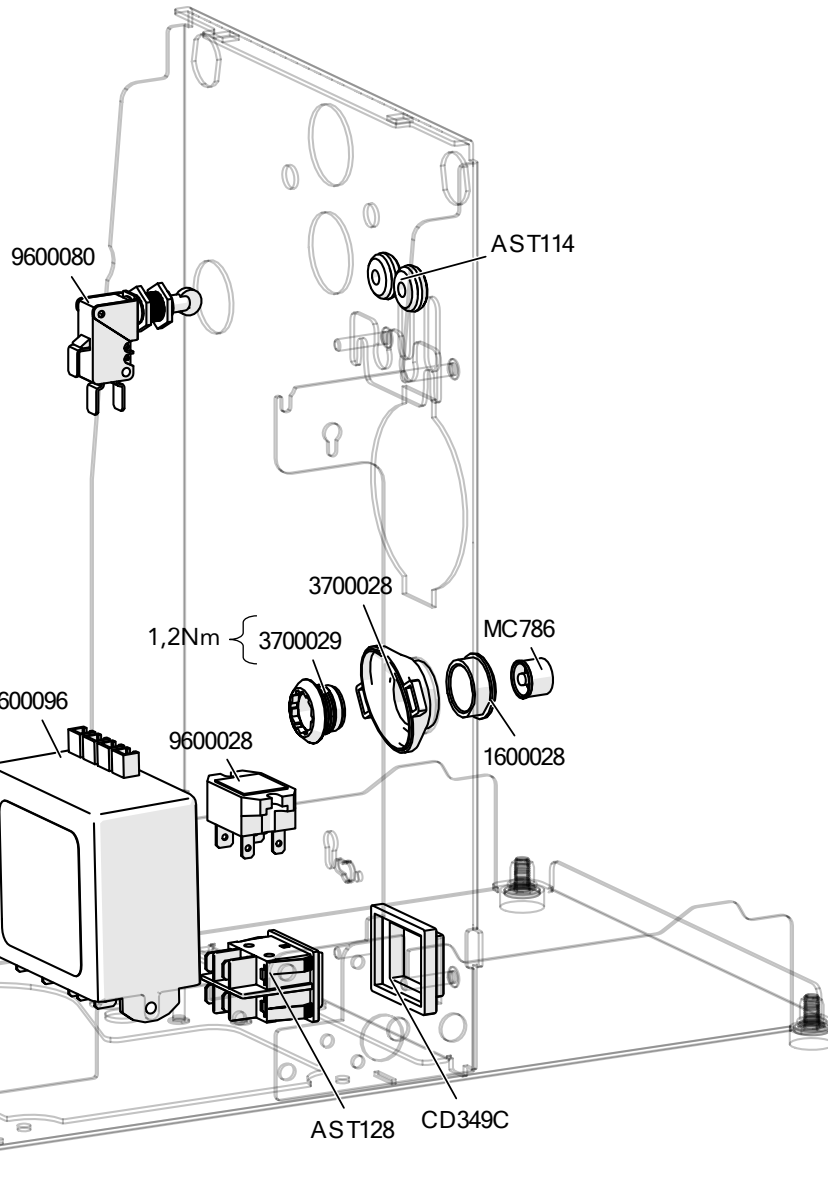
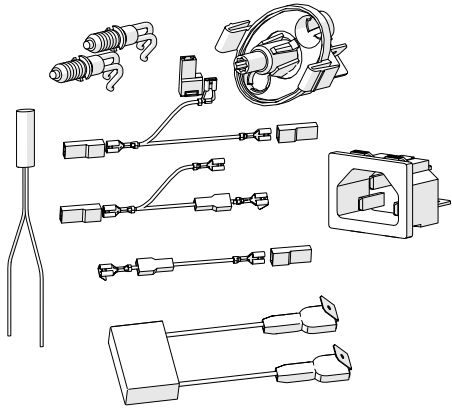
CODE	DESCRIPTION
2000020	STAINLESS STEEL BOILER 1,8L
8300008	BOILER INSULATION MATERIAL
8700012	GASKET 1 " 1/4
9100044	GRUB SCREW M5x20 UNI 5923 INOX A2
9600088	STEAM BOILER LEVEL PROBE
9600092	NTC TEMP. PROBE
9600105	LEVEL PROBE 85MM
9700040	FITTING 1/4G x 1/8G
9700050	SAFETY VALVE 3BAR
9700052	ANTI-VACUUM VALVE
CD024-442	FITTING M/M 1/8G
GV025-20	L JOINT M1/4 - M1/4
MC032	165°C SAFETY THERMOSTAT
MC919	FITTING 1/2 "
<b>4000028</b>	<b>SPARE KIT HEATING ELEMENT MC920 &amp; GASKET 8700012</b>
<b>4000029</b>	<b>SPARE KIT GASKET 8700012</b>
<b>4000031</b>	<b>SPARE KIT COMPLETE BOILER 230V</b>

ATTENTION! As indicated in the diagram, the heating element must be screwed in at 100 Nm. Be sure you have the correct equipment to assemble the part before you buy it.

ASSEMBLY CODE: 4000031



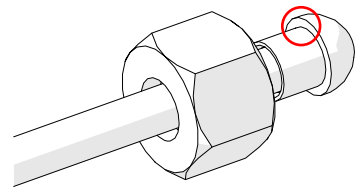
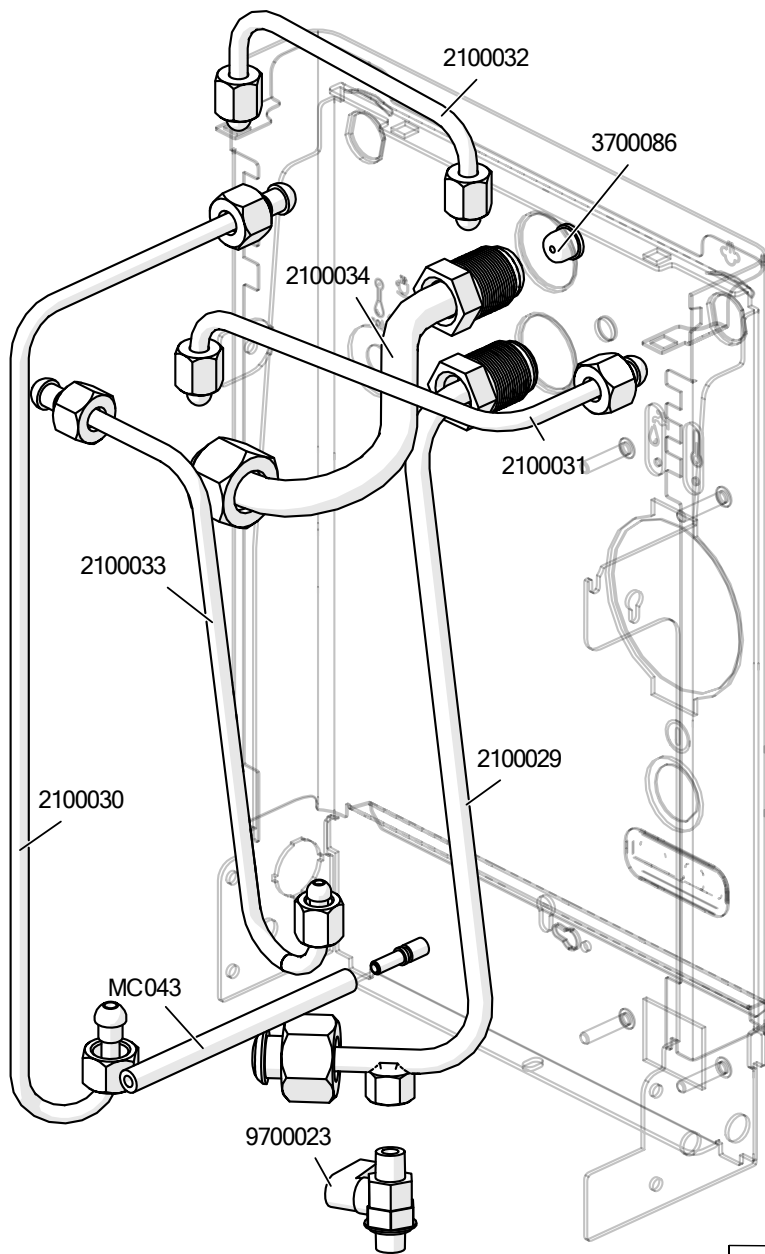
ASSEMBLY CODE: 3000048



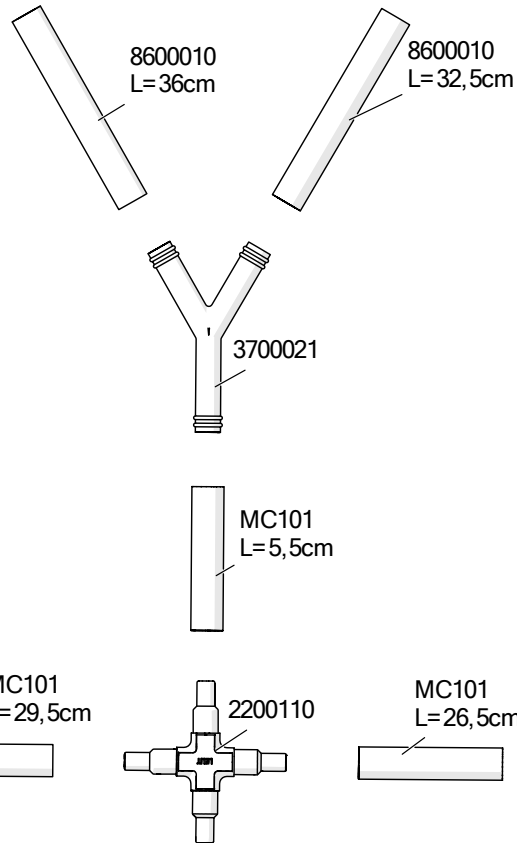
CODE	DESCRIPTION
1600028	SUPPORT FOR BACK LIT SWITCH
3000048	WIRING
3700028	PLASTIC SUPPORT FOR SWITCH
3700029	OPALESCENT INSERT
9600028	RELAY 18V
9600052	ROUND MAIN SWITCH
9600080	MICRO SWITCH
9600096	P.C BOARD 100-240Vac
AST114	SILICONE FAIRLEAD Diam.i5 - Diam.e16 - H7 50Sh
AST128	SWITCH FOR BLOWING/VACUUM FUNCTION
CD349C	SWITCH COVER
<b>MC786</b>	<b>STAINLESS STEEL BUTTON</b>

ATTENTION! As indicated in the parts diagram, the code 3700029 must be screw at 1,2 Nm!



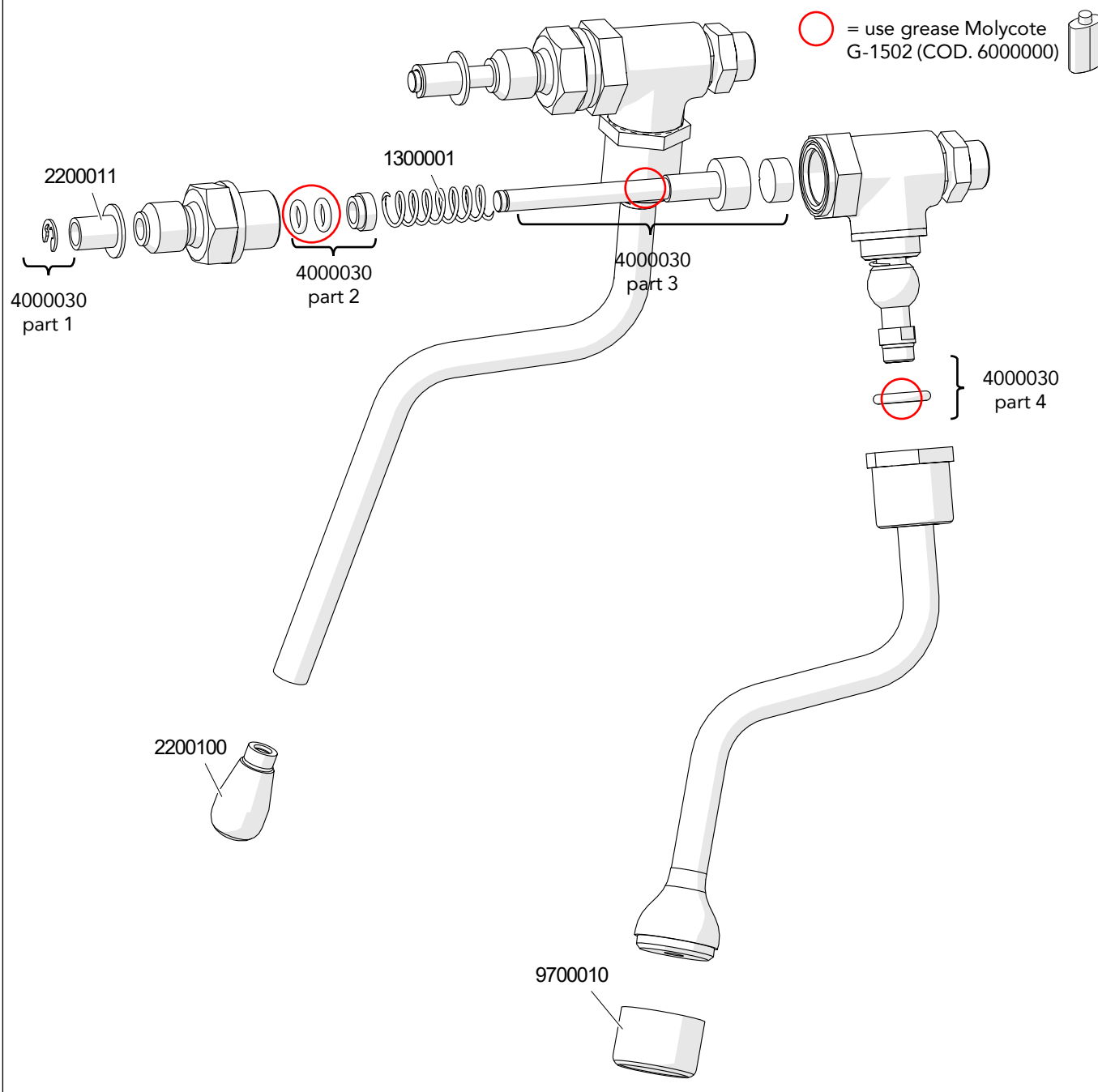


Use grease Molycote G-1502 (COD. 6000000) on the spindles of all copper pipes



CODE	DESCRIPTION
2100029	LOWER TUBE COFFEE CIRCUIT
2100030	WATER CHARGE TUBE
2100031	STEAM VALVE TAP CONNECTION TUBE
2100032	COPPER TUBE FILLING-UP STEAM BOILER
2100033	COPPER TUBE FILLING-UP STEAM BOILER
2100034	PIPE COFFEE CIRCUIT
2200110	4WAY CROSS FITTING
3700021	PLASTIC Y JOINT MADE TYPE 466 FOR Diam.6 TUBES
3700086	GICLEUR PTFE DIAM 2,25
8600010	SILICON HOSE 4X8 L70CM
9700023	TAP MM 1/8
MC043	SILICONE HOSE 4X8 L25CM
<b>MC101</b>	<b>SILICONE HOSE 6X9 40CM</b>

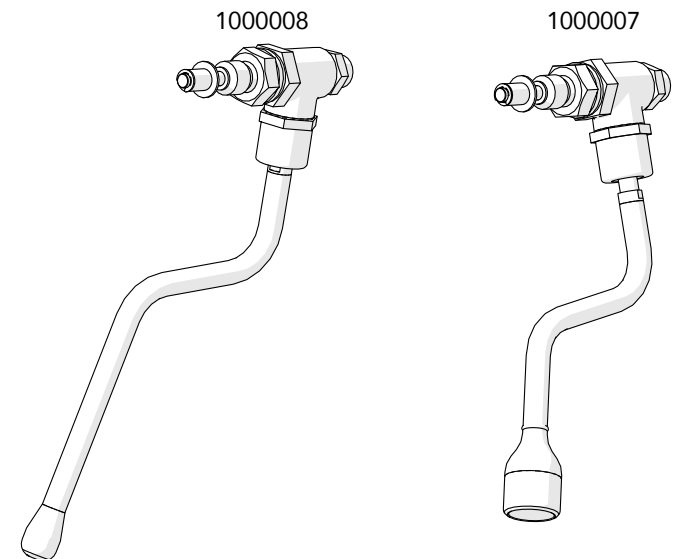


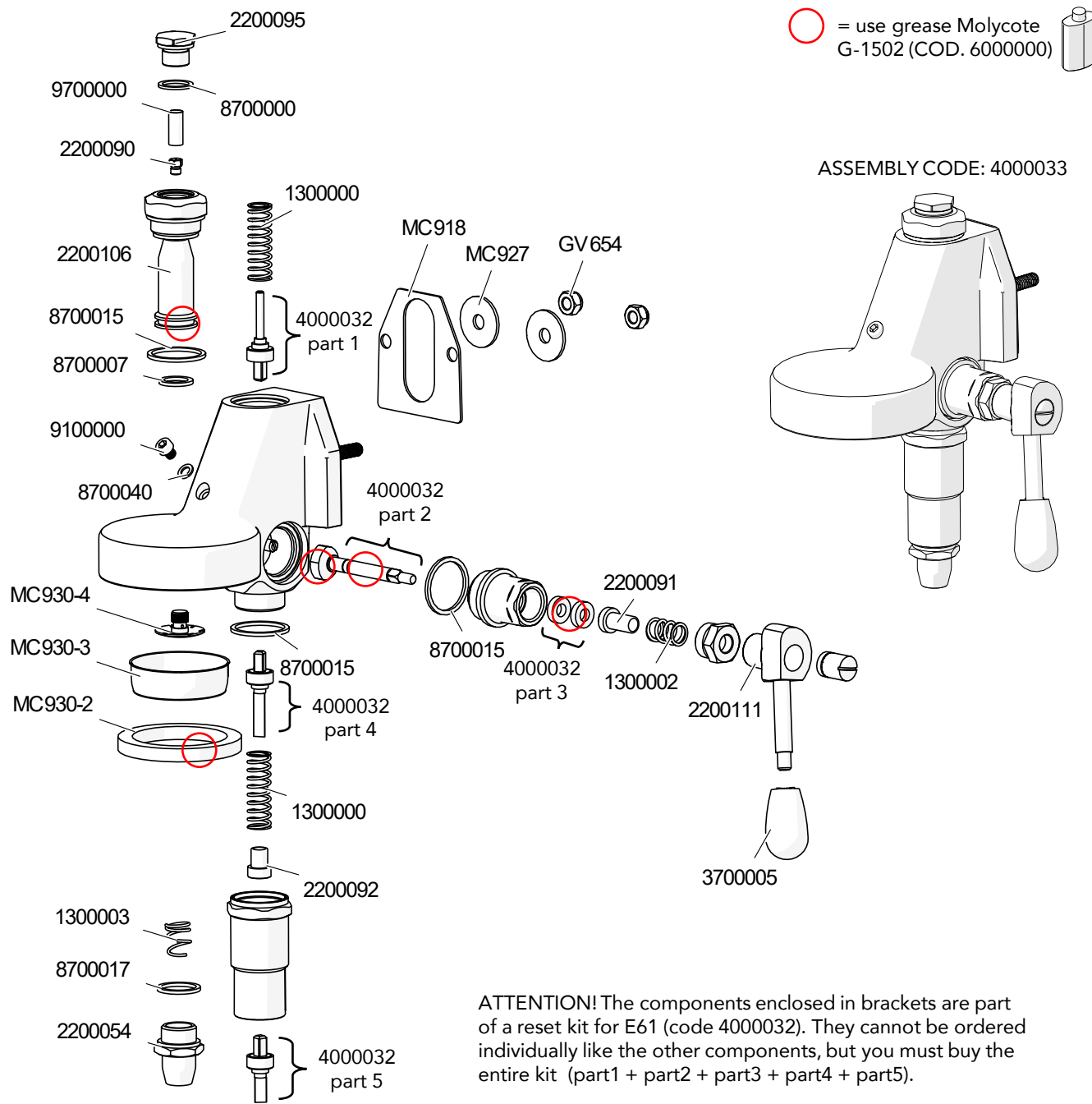


CODE	DESCRIPTION
1000007	WATER TAP WITH SPRING CLOSURE
1000008	STEAM TAP WITH SPRING CLOSURE
1300001	SPRING FOR TAP ON PL6
2200100	NOZZLE WITH 2 HOLES Øi1 30°
9700010	HOT WATER FILTER
2200011	SPACER
<b>4000030</b>	<b>SPARE KIT WATER/STEAM TAP 1000007-1000008</b>

ATTENTION! The components enclosed in brackets are part of a reset kit for wand (code 4000030). They cannot be ordered individually like the other components, but you must buy the entire kit must (part1 + part2 + part3 + part4). 1 kit contains the spare parts for 1 wand reset.

#### ASSEMBLY CODES

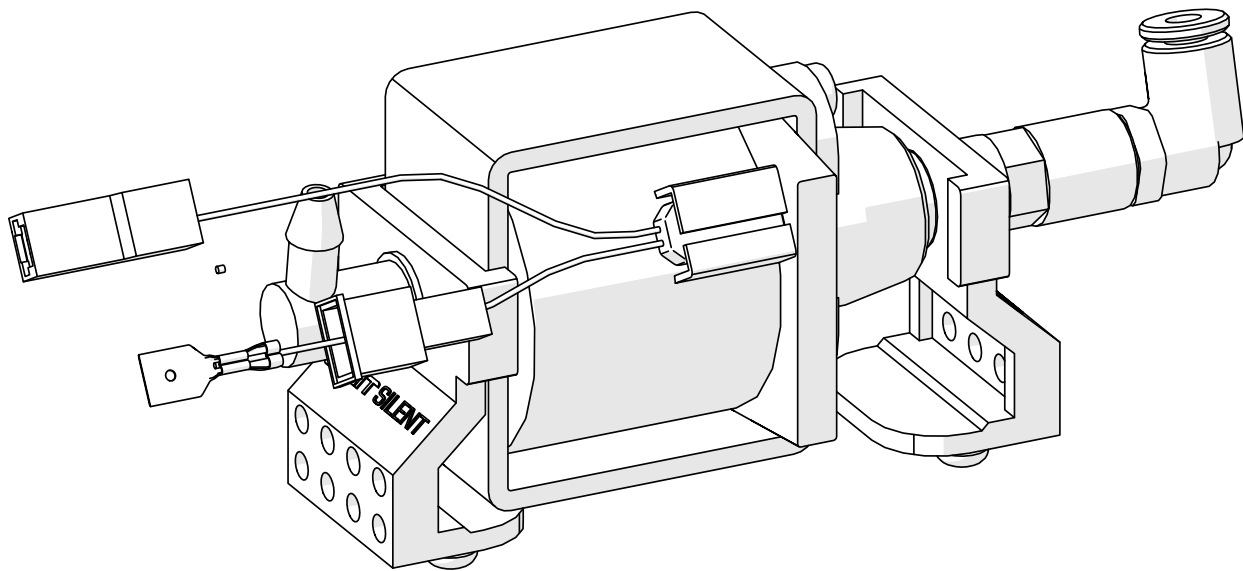




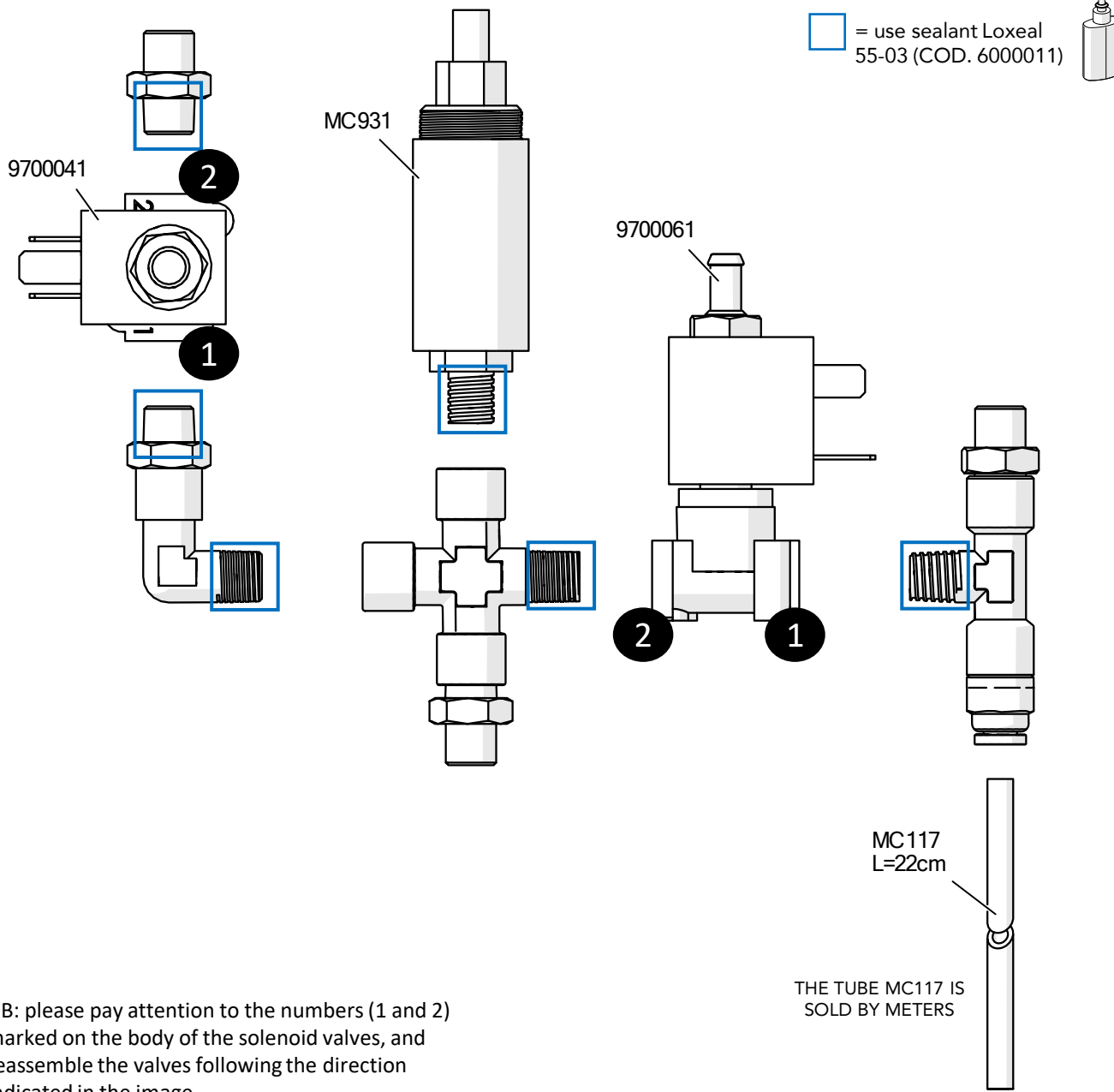
CODE	DESCRIPTION
1300000	CAPILLARY I.800
1300002	SPRING GROUP LEVER
1300003	SPRING D.4 H10
2200054	LOWER JOINT FOR E61-TYPE GROUP DISCHARGE
2200090	NOZZLE
2200091	BUSH
2200092	DIAL ON SPRING - E61-TYPE GROUP
2200095	CAP M16x1,5 - E61-TYPE GROUP
2200106	UPPER STEERER FOR E61-TYPE GROUP
2200111	CAM WITH LEVER FOR E61-TYPE GROUP
3700005	HANDLE - E61-TYPE GROUP
8700000	TEFLON GASKET 3/8"
8700007	GASKET ON WATER DISPENSER Diam.20,5
8700015	PTFE GASKET 35x30x2
8700017	PTFE GASKET 26x21x2 - E61-TYPE GROUP
8700028	WASHER 8X4 EPDM
8700040	GASKET PTFE 10x6x1
9100000	SCREW TCEI M6x8 UNI EN 4762 (inox A2)
9700000	FILTER OF UPPER SLEEVE E61 BREWER
GV654	NUT 8M
MC918	GASKET FOR GROUP FLANGE
MC927	WASHER M8X32
MC930-2	E61 GROUP GASKET
MC930-3	SHOWER FILTER
MC930-4	SPOUT BREAKER E61 GROUP
<b>4000032</b>	<b>SPARE KIT FOR E61-TYPE GROUP</b>
<b>4000033</b>	<b>SPARE KIT COMPLETE GROUP E61-TYPE</b>

CODE  
4000034

DESCRIPTION  
SPARE KIT SILENT PUMP 230V



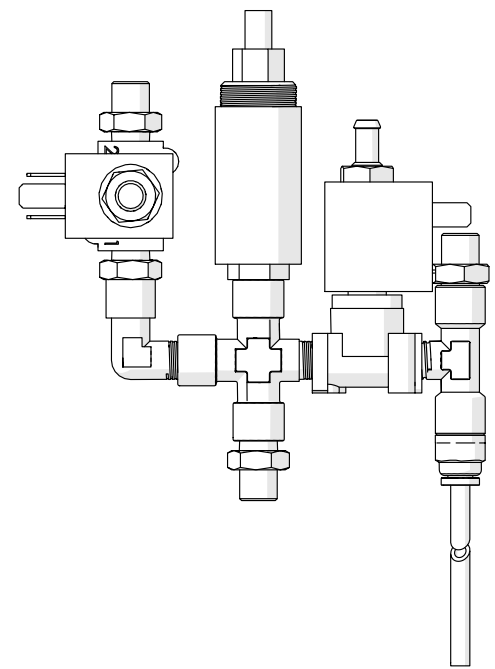




CODE	DESCRIPTION
9700041	2-WAY SOLENOID VALVE 9000 230V
9700061	3WAY SOLENOID VALVE S9000A DN1,5
MC117-220	PTFE TUBE Øe5 sp1 L=110
MC931	EXPANSION VALVE
<b>4000035</b>	<b>SPARE KIT CHARGE CIRCUIT 230V</b>

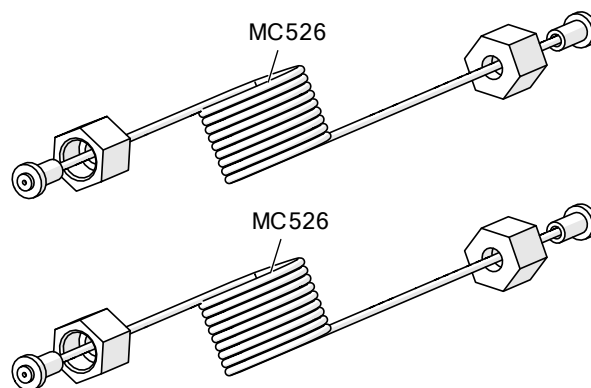
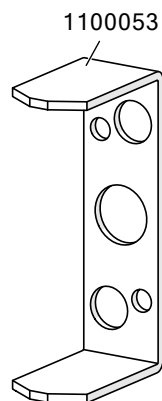
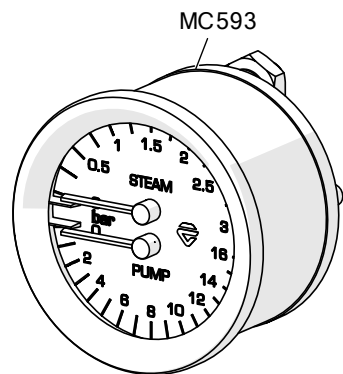
ATTENTION! Holding the solenoid valves and the metal fittings in place during the assembly is a difficult operation for which special equipment and sealants are used. The fittings also have both conical and cylindrical threads. We recommend the purchase of the entire assembly code 4000035.

ASSEMBLY CODE: 4000035

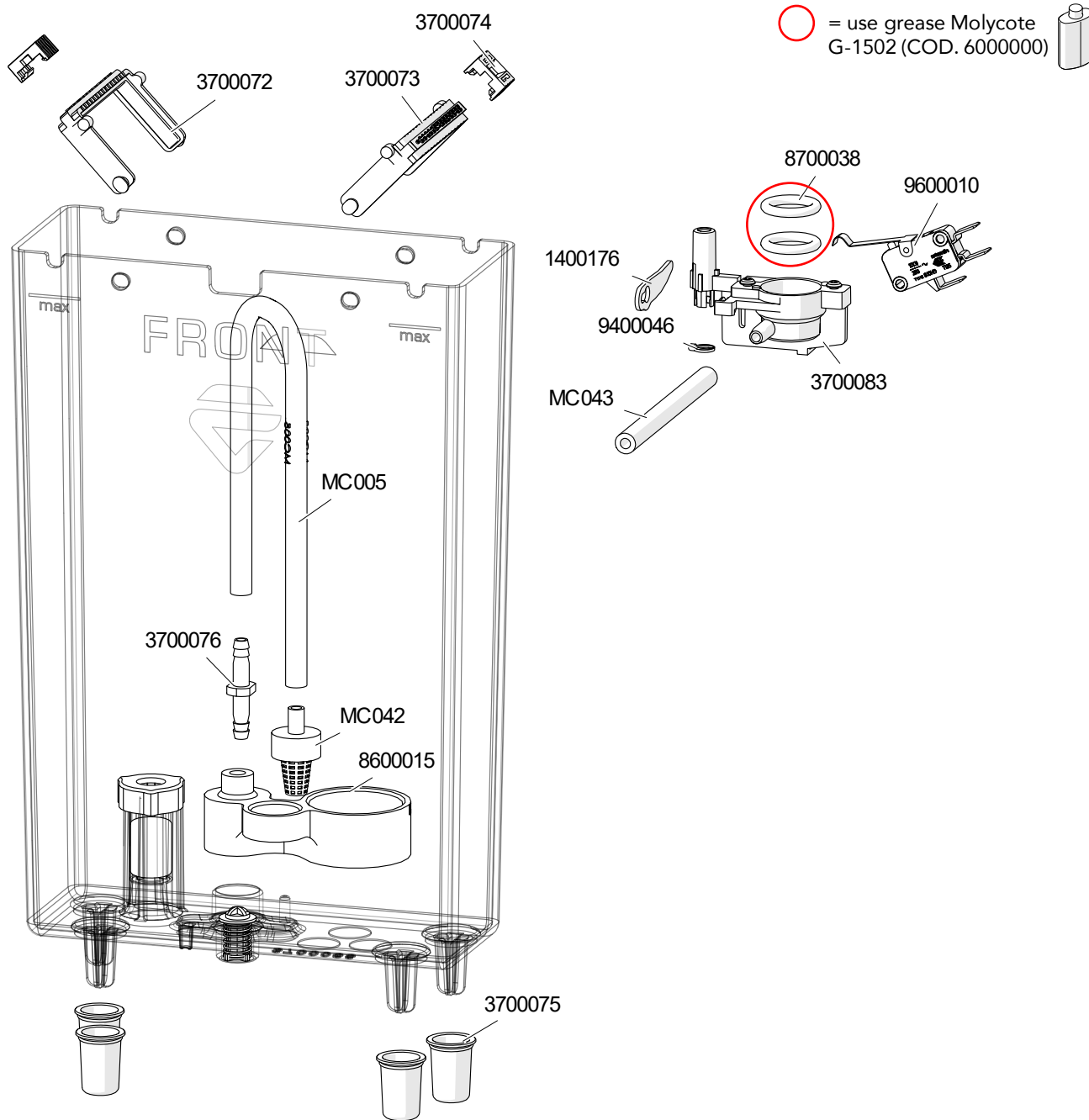


NB: please pay attention to the numbers (1 and 2) marked on the body of the solenoid valves, and reassemble the valves following the direction indicated in the image.



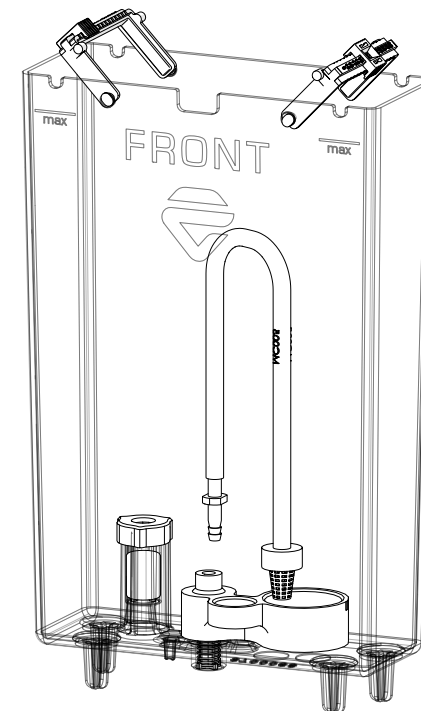


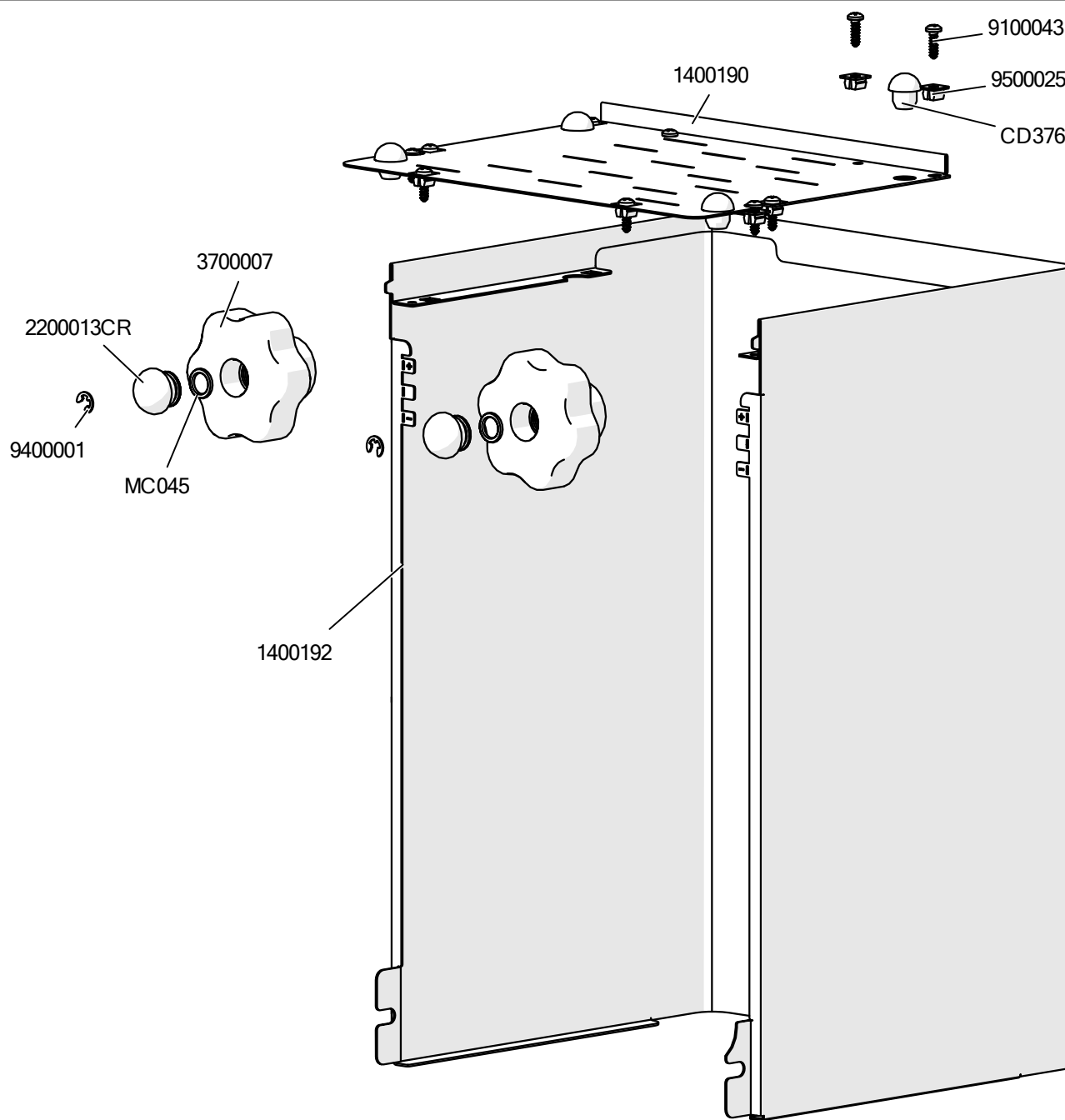
CODE	DESCRIPTION
1100053	BRACKET FOR FIXING THE MANOMETER
MC526	CAPILLARY I.800
MC593	DOUBLE MANOMETER FOR PUMP/STEAM PRESSURE



CODE	DESCRIPTION
1400176	MICROSWITCH LEVER
3700072	NUMBERED HANDLE 0-14
3700073	NUMBERED HANDLE 15-28
3700074	REFILLS MANUAL COUNTER
3700075	TANK GUIDE WITH AUTOMATIC GRAFT
3700076	TUBE JOINER
3700083	TANK COUPLING CHAMBER
8600015	SUPPORT FOR FILTER AND RESIN FILTER
8700038	RED SILICONE GASKET
9400046	SPRING CLAMP Diam.7,3
9600010	MICRO SWITCH- PRESENCE WATER TANK
MC005	SILICONE HOSE 4x8 L42cm
MC042	WATER FILTER
MC043	SILICONE HOSE 4X8 L25CM
<b>4000036</b>	<b>SPARE KIT COMPLETE WATER TANK</b>

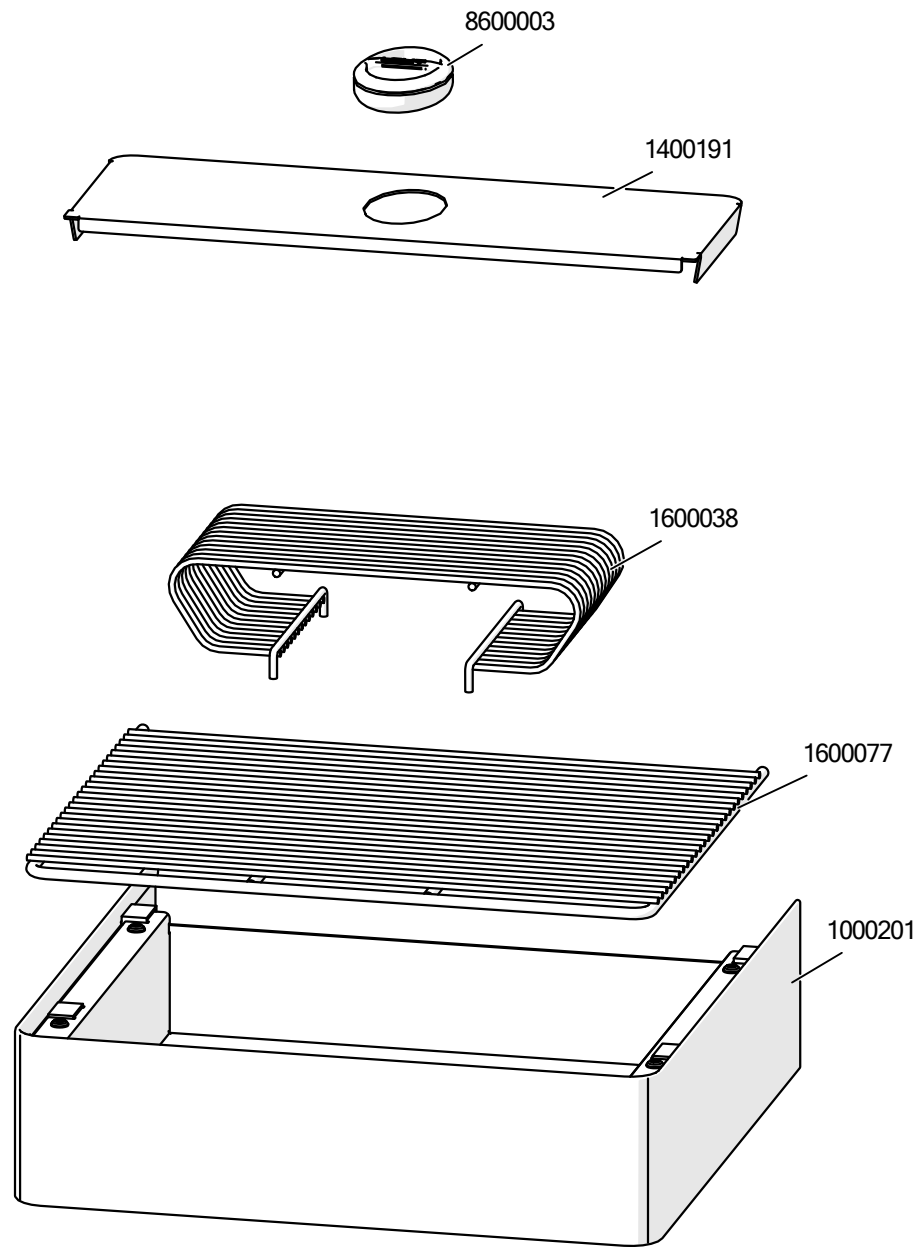
ASSEMBLY CODE: 4000036



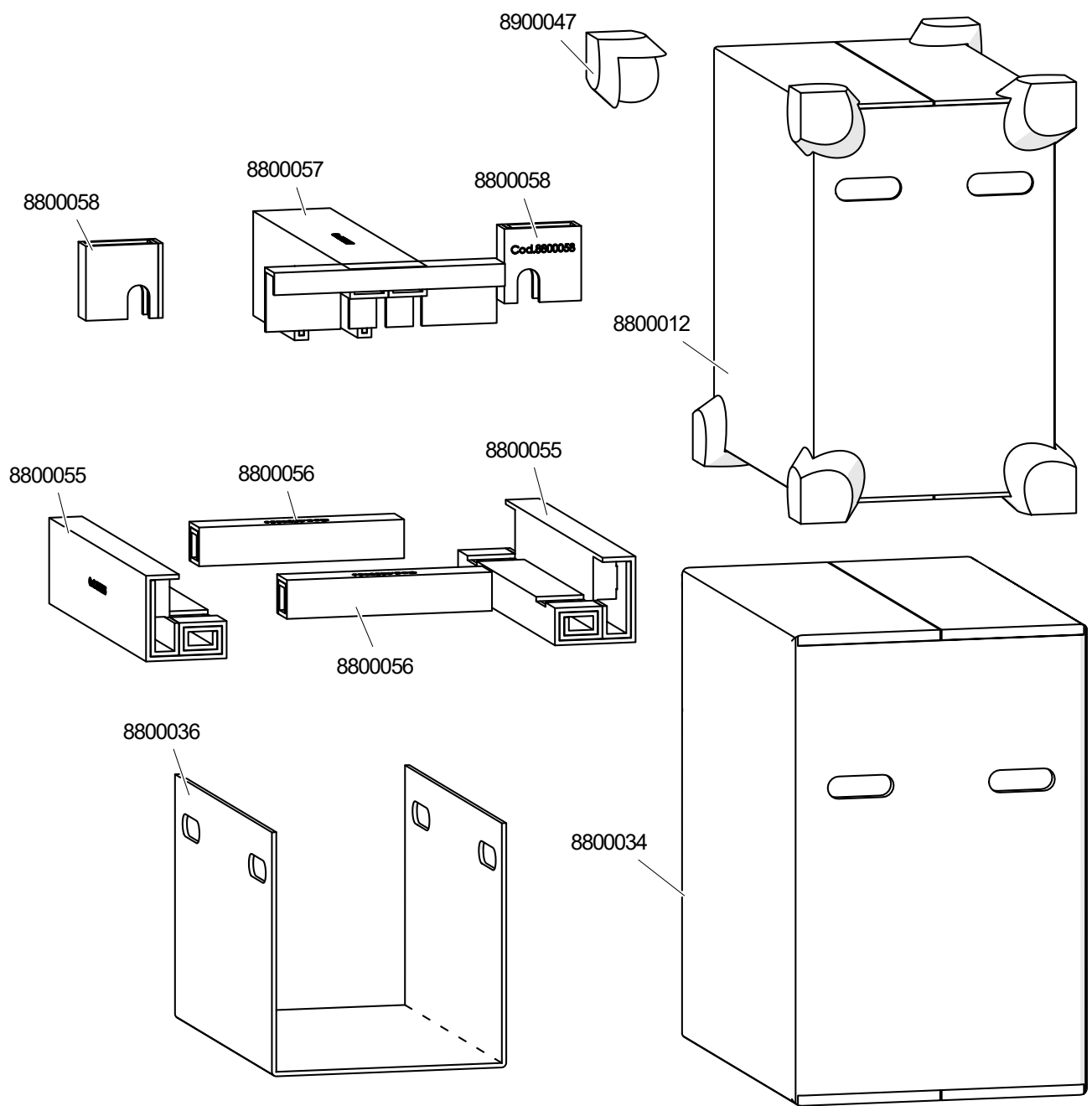


CODE	DESCRIPTION
1400190	UNIT COVER
1400192	COMPLETE APPLIANCE BODY
3700007	WATER AND STEAM KNOB
9100043	SCREW M5X8
9400001	CIRCLIP FOR STEAM TAP
9500025	PLASTIC SCREW H0,8 L4,5
2200013CR	CHROME CAP FOR KNOB
CD376	RUBBER SPACER
<b>MC045</b>	<b>O-RING 9X2</b>

ATTENTION! When you're replacing the knobs on your machine, remember to deposit grease on the wand holder.



CODE	DESCRIPTION
1000201	DRIP TRAY PL62X
1400191	TANK COVER
1600038	ESPRESSO CUP RACK VIP LINE
1600077	CUP WARMER GRATE PL62-X
<b>8600003</b>	<b>BLACK LELIT RUBBER INSERT</b>



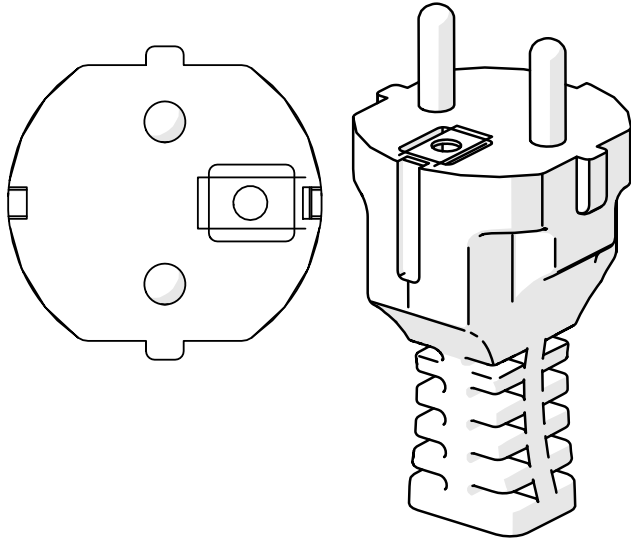
CODE	DESCRIPTION
8800012	PL162T-BIANCA PACKAGING/CARTON
8800034	EXTERNAL CARTON FOR PACKAGING PL162
8800036	INTERNAL CARDBOARD SUPPORT FOR PL162T
8800055	LOWER CROSSPIECE - PACKAGING ELEMENT
8800056	SHORT LOWER CROSSPIECE - PACKAGING ELEMENT
8800057	CENTRAL CROSSPIECE - PACKAGING ELEMENT
8800058	TAP PROTECTION - PACKAGING ELEMENT
<b>8900047</b>	<b>CORNER PROTECTOR FOR PACKAGING</b>

ATTENTION! The complete packaging includes the following codes and quantities:

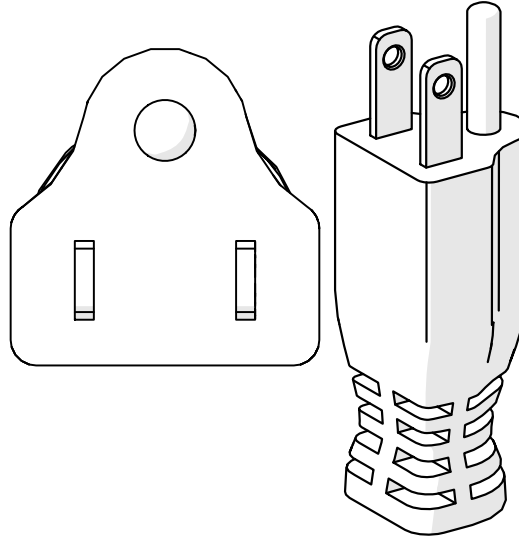
- 8800012 x1
- 8800034 x1
- 8800036 x1
- 8800055 x2
- 8800056 x2
- 8800057 x1
- 8800058 x2
- 8900047 x8



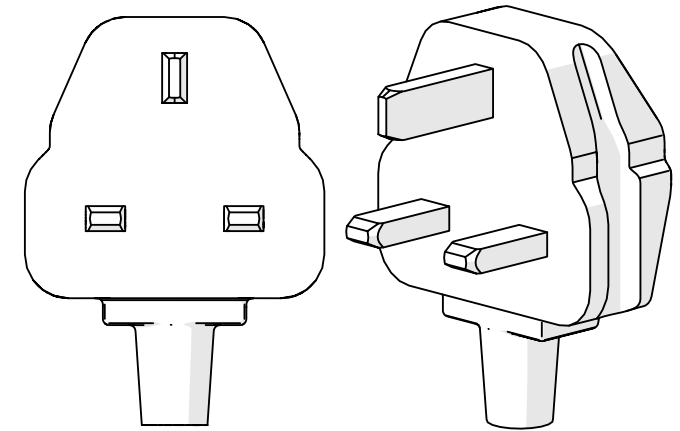
MC269 (EUROPE)



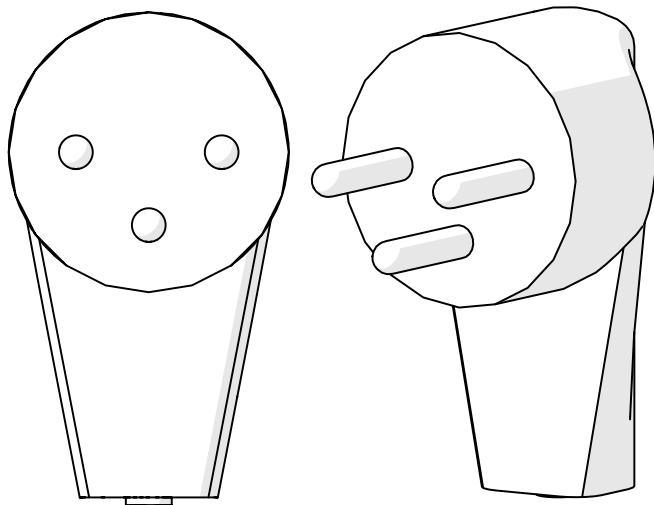
MC269-110 (UNITED STATES)



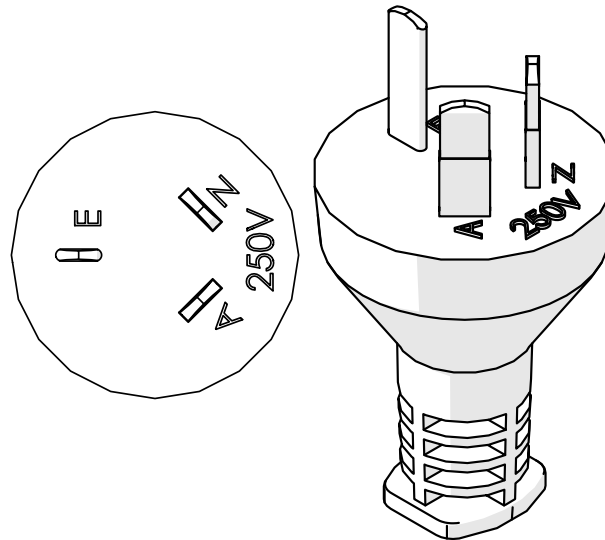
MC269UK (UNITED KINGDOM)

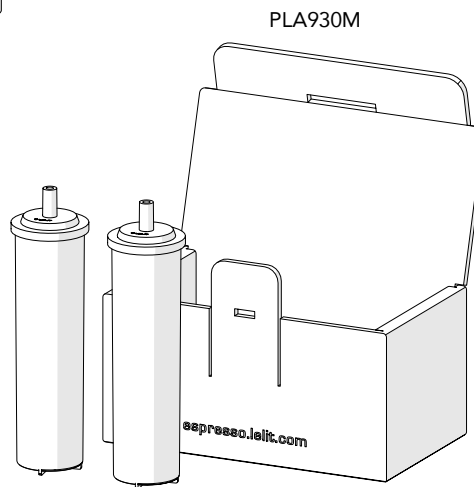
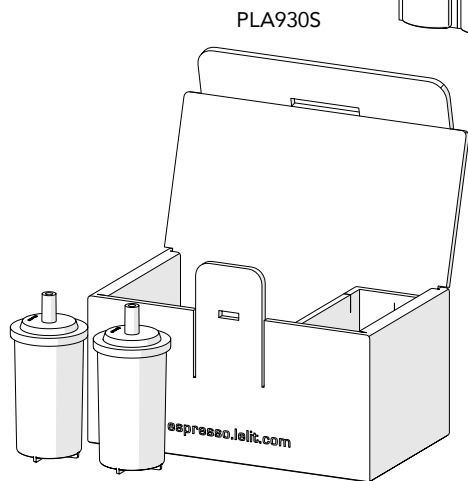
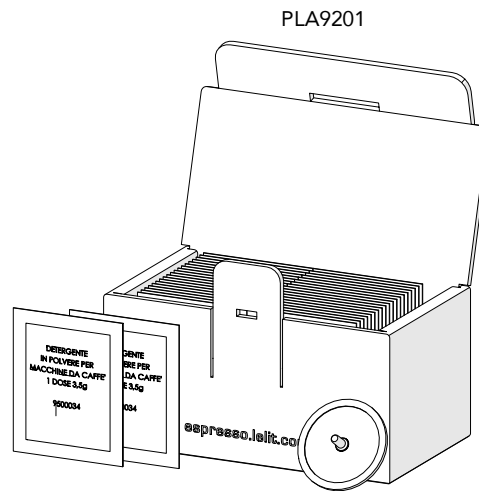


MC269IL (ISRAEL)



MC269AUS (AUSTRALIA)

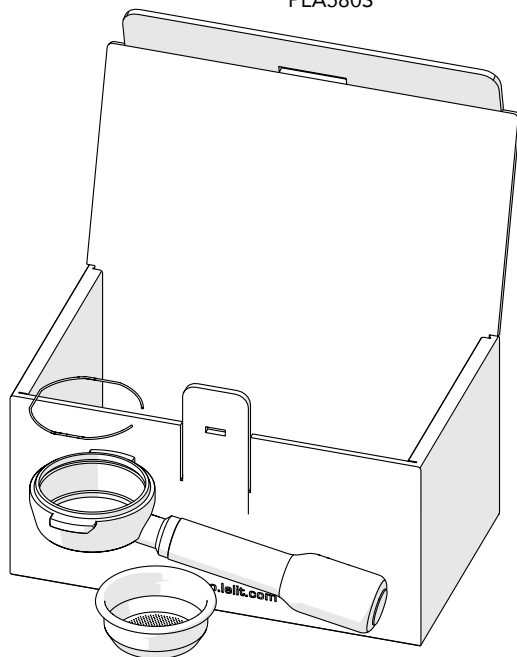




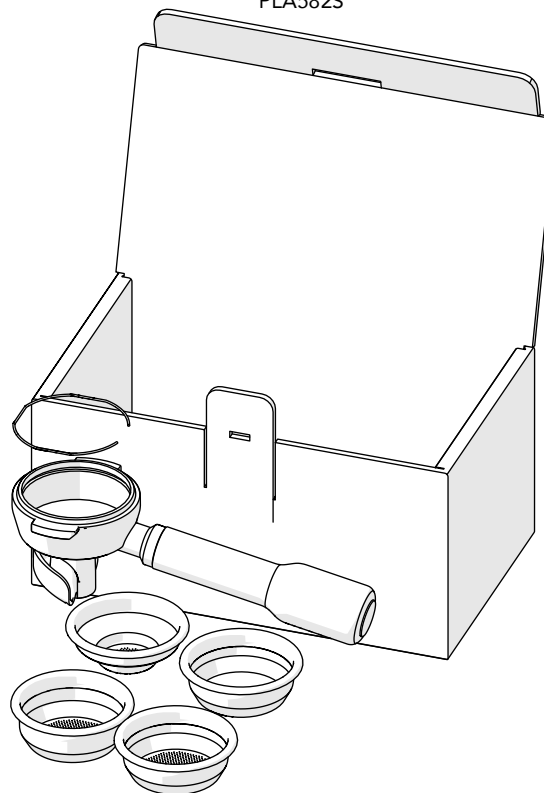
CODE	DESCRIPTION
PLA180S	LELIT58 FILTERS SET
PLA9201	PACKAGE OF 40 SINGLE-DOSE (3.5GR) GROUP CLEANER
PLA9203	PACKAGE OF 10 SINGLE-DOSE BOTTLE (25ML) STEAM WAND CLEANER
PLA930S	PACKAGE CONTAINING 2PCS OF 35LT RESIN FILTERS
<b>PLA930M</b>	<b>PACKAGE CONTAINING 2PCS OF 70LT RESIN FILTERS</b>



PLA580S



PLA582S



CODE

DESCRIPTION

PLA580S

LELIT58 BOTTOMLESS FILTERHOLDER

PLA582S

LELIT58 2WAYS FILTERHOLDER