



Electrolux

ELECTROLUX HOME PRODUCTS PTY LTD

ABN 51 004 762 341

Technical Publication N° DR144

Issue: 4

Date: 12/13

SIMPSON

TUMBLE DRYERS

SECTION	PAGE N°
GENERAL ASSEMBLY	2 & 3
HOUSING ASSEMBLY	4 & 5
DOOR ASSEMBLY	6
SPECIFICATIONS	7
WIRING DIAGRAM	8

EZILoader

MODELS:

39P400M

PNC 916002000 02

PNC 916002000 03

39S500M

PNC 916002001 02

PNC 916002001 03

39S600M

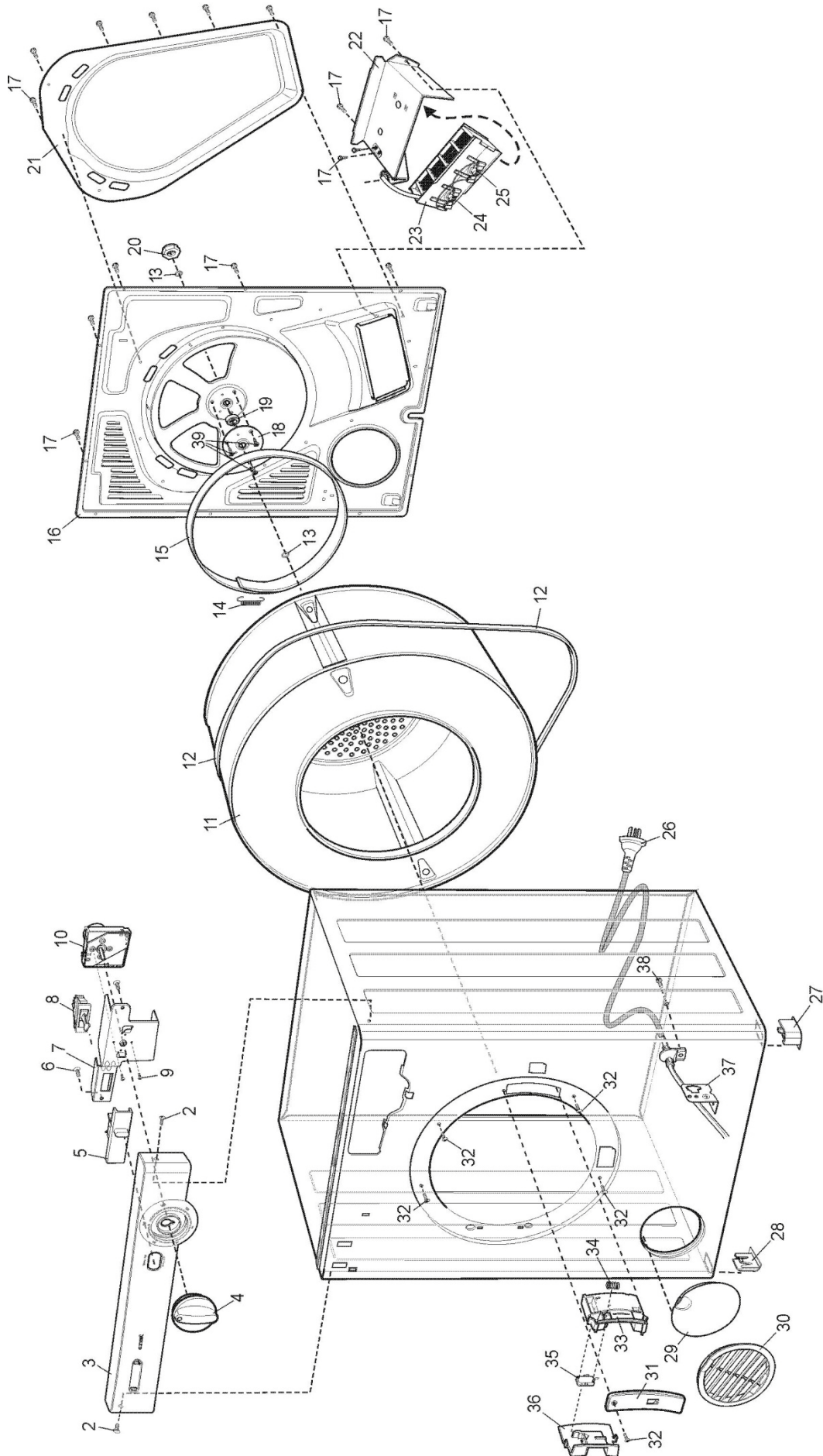
PNC 916002003 02

PNC 916002003 03

First Build Date: 12/07

MODELS: 39P400M
39S500M
39S600M

EX. VIEW DRAWING 5236
GENERAL ASSEMBLY



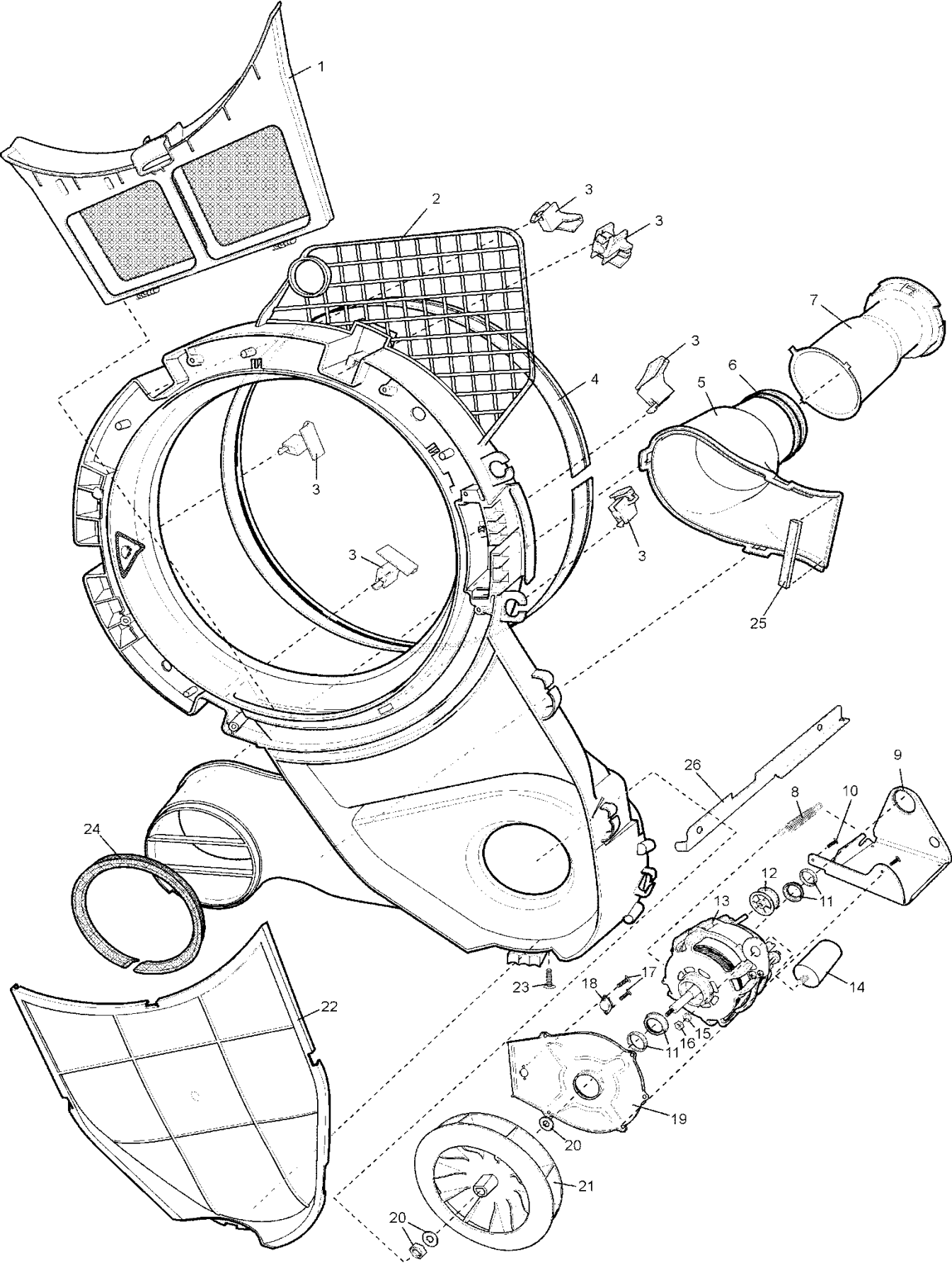
ITEM	PART N°	DESCRIPTION	Ex. 5236	400	500	600
2	0150 300 026	Screw, N° 8 x 1/2", R CSK		2	2	2
3	133601410	Trim Panel Decorated (Alex 4 Kg)		1		
3	133601510	Trim Panel Decorated (Alex 5 Kg)			1	
3	133601810	Trim Panel Decorated (Alex 6 Kg)				1
4	0019 309 001	Knob, Timer		1	1	1
5	0612 311 001	Button, Slide		1	1	1
6	0150 300 005	Screw, N° 6 x 12mm, Hex HD		2	2	2
7	0030 300 190	Bracket, Timer & Switch Mounting		1	1	1
8	0534 300 048	Switch, Heat Selector, 2 Position		1	1	1
9	22371012	Screw, Timer Securing		2	2	2
10	0574 300 031	Timer		1	1	1
11	*0157 300 146	Drum Assy, White (4kg)		1		
	*0157 300 148	Drum Assy, S.S. (5kg)			1	
	*0157 300 149	Drum Assy, S.S. (6kg)				1
12	0198 300 010	Belt, Drum Drive		1	1	1
13	N.P.N.	NOT USED IN THIS MODEL		0	0	0
14	Refer Item 15	Spring, Drum Seal		1	1	1
15	#0208 377 054	Seal Assy, Drum Rear (Inc. Item 14)		1	1	1
16	0038 300 571	Panel, Back		1	1	1
17	0150 300 014	Screw, N° 8 x 3/8", Hex W/HD.		30	30	30
18	32184401	Housing Drum Bearing		1	1	1
19	0542 377 026	Bearing, Drum, Rear		1	1	1
20	0065 300 016	Nut, M8		1	1	1
21	0028300026	Cover Assy, Back Panel		1	1	1
22	Refer Item 23	Bracket, Heater		1	1	1
23	0353 300 002	Heater Assy (Inc. Items 22, 24 & 25)		1	1	1
24	Refer Item 23	Thermostat, Thermal Cutout		1	1	1
25	Refer Item 23	Thermostat, Safety, Fusible		1	1	1
26	0215 300 059	Service Cord		1	1	1
27	0049 300 016	Plug, Corner, RH		1	1	1
28	0049 300 015	Plug, Corner, LH		1	1	1
29	0028 306 001	Cover, Exhaust		1	1	1
30	0488 303 001	Grille, Exhaust		1	1	1
31	0028 300 024	Cover, Door Switch Assy		1	1	1
32	0150 300 046	Screw, M4 Plastite x 14mm, Pan HD		5	5	5
33	0030 300 158	Bracket, Door Switch		1	1	1
34	0120 300 024	Spring, Door Switch		1	1	1
35	28353067	Switch, Door		1	1	1
36	0563 300 007	Striker, Door Switch		1	1	1
37	N.P.A.	Bracket, Service Cord & Harness		1	1	1
38	0150 300 027	Screw, N° 8 x 12.7mm, Hex HD.		1	1	1
39	0150 200 084	Screw, Bearing Housing Securing		3	3	3
N.I.	0173 300 735	Harness, Wiring		1	1	1
N.I.	0241 200 002	Grease, Molykote, Door Switch Striker (25ml)		x	x	x
N.I.	0271 300 002	Spacer		2	2	2
N.I.	0030 377 193	Bracket Kit, Wall (Inc. Spacers & Instructions)		1	1	1
N.I.	0616 301 001	Instruction, Wall Bracket		1	1	1

NOTE: *Production use different drum assemblies which use two drum spokes Part N° 133139100 with six retaining screws Part N° 0150 300 046. Use the above drums as replacements.

#Use high temperature molybdenum disulfide grease to lubricate felt/drum contact point before fitting

MODELS: 39P400M; 39S500M
39S600M

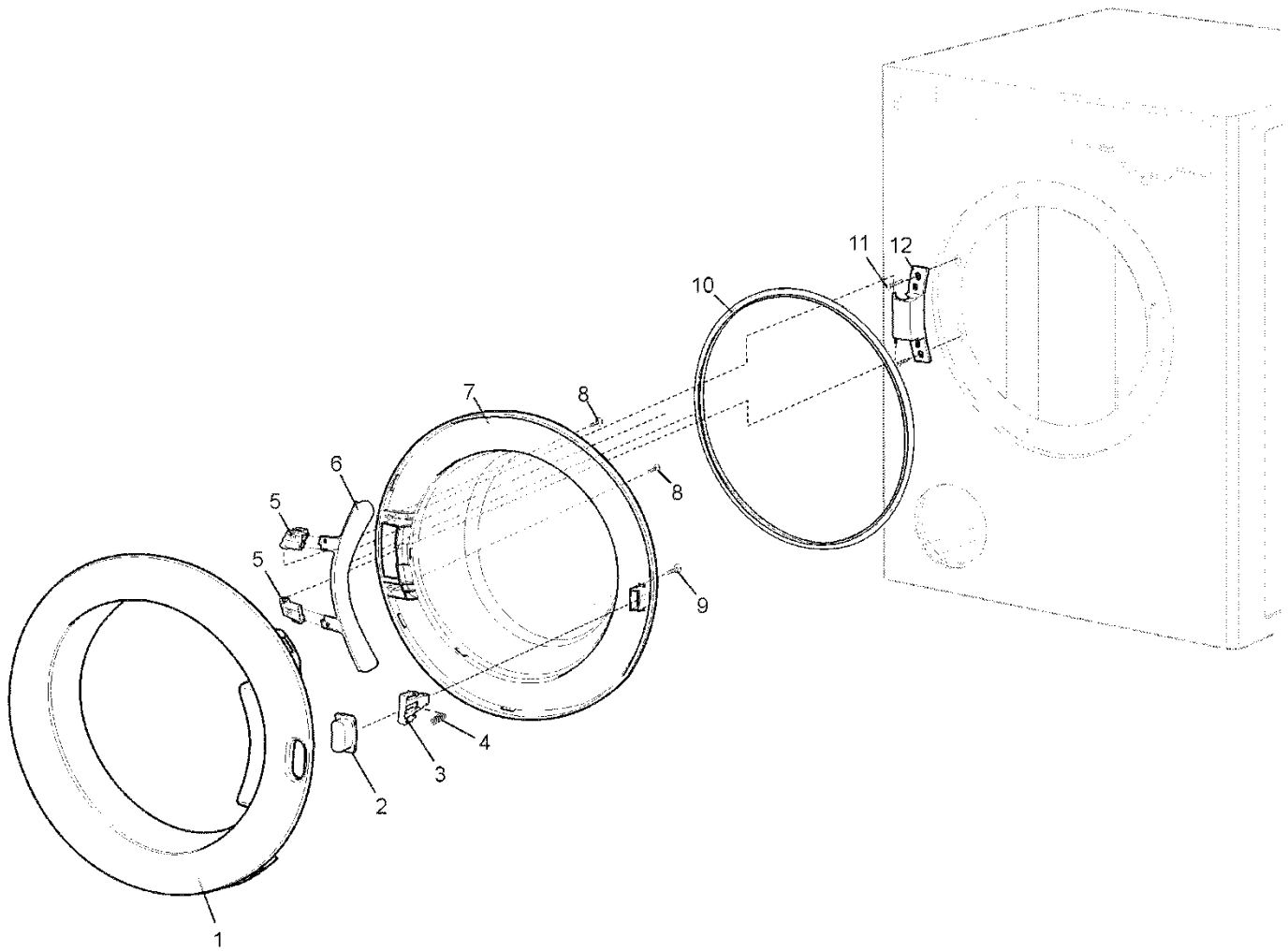
EX. VIEW DRAWING 5246
FUNCTIONAL ASSEMBLY



ITEM	PART N°	DESCRIPTION	Ex. 5246	QTY
1	0144 300 021	Filter Assy		1
2	0133 300 173	Housing & Cover Assy (Inc Item 22)		1
3	0542 377 022	Bearing Kit (Inc. Item 4) (Kit of 7)		1
4	Refer Item 3	Seal, Drum Front		1
5	0028 300 017	Cover, Housing Duct		1
6	0208 300 052	Seal, Housing Duct Cover		1
7	0559 300 017	Duct, Extension		1
8	0120 300 016	Spring, Belt Tension		1
9	N.P.A.	Bracket, Motor Support, Rear		1
10	0150 300 056	Screw, M4 x 14mm, Plastite Hex HD		5
11	0023 377 021	Ring Assy, Motor Mount (Kit of 2)		1
12	0197 300 040	Pulley, Idler		1
13	0214 377 106	Motor Kit (Inc. Items 11, 14, 15, 16 & 20)		1
14	0588 400 004	Capacitor, 8 µF (Inc. Items 15 & 16)		1
15	Refer Item 14	Washer, 8 mm Ext Shakeproof		1
16	Refer Item 14	Nut, M8 Hex		1
17	0701 002 012	Screw, N° 6 x 3/8", Pan HD		2
18	0541 300 033	Thermostat, Exhaust (55°C)		1
19	N.P.A.	Plate, Motor Mounting		1
20	0065 377 014	Nut & Washers Kit		1
21	0026 377 002	Fan, Blower (Inc. Item 20)		1
22	Refer Item 2	Cover, Blower Housing		1
23	0150 300 046	Screw		1
24	0208 300 051	Seal, Blower Housing		1
25	0208 300 052	Seal, Housing Duct Cover (Cut to Suit)		1
26	N.P.A.	Bracket, Wrap Stiffening		1

**MODELS: 39P400M; 39S500M
39S600M**

**EX. VIEW DRAWING 5241
DOOR ASSEMBLY**



ITEM	PART N°	DESCRIPTION	Ex. 5241	QTY
1	0028 304 001	Cover, Door		1
2	0612 307 001	Button, Door		1
3	0563 300 005	Striker, Door		1
4	0120 300 017	Spring, Door Striker		1
5	0045 300 028	Hinge Bearing		2
6	0030 300 204	Bracket, Door Hinge Brace		1
7	0009 307 001	Door Window		1
8	0150 300 060	Screw, M4 Taptite x 18mm, Pan HD		2
9	21479212	Screw		1
10	0208 300 029	Seal, Door		1
11	0150 300 059	Screw, M4 Plastite x 20mm, Pan HD		2
12	0045 300 029	Hinge, Door		1

SPECIFICATIONS

POWER SUPPLY	240 volt a.c., 50 Hz, 10 amp
HEATER	Dual Element
Total	2100W
Red to Black Wire	750W – 68Ω (approx)
White to Black Wire	1350W – 38Ω (approx)
TIMER	Electro-Mechanical
Maximum Drying Time	150 minutes
Cool Down	9 minutes
MOTOR	PSC Reversing with a self resetting overload
Red to White Wire	29Ω (approx)
Blue to White Wire	30Ω (approx)
Red to Blue Wire	59Ω (approx)
Locked Rotor Current	2 amp (approx)
Capacitor	8μF
THERMOSTATS	
Exhaust	Opens 55°C, Closes 45°C – Located motor mounting plate
Thermal Cutout	Opens 92°C – Part of the heater assy
Safety	One Shot Fusible 160°C – Part of the heater assy
DRYING CAPACITY (to ASNZS 2442.1)	
39P400M	4kg
39S500M	5kg
39S600M	6kg
ENERGY LABEL RATING	1.5 Stars
DIMENSIONS	
39P400M	H 800mm x W 602mm x D 515mm
39S500M	H 800mm x W 602mm x D 555mm
39S600M	H 800mm x W 602mm x D 595mm
ACCESSORIES	
Stacking Kit	DKSK03 to be used on top of Electrolux washers with split cabinet only & ACC093 on all models
Vent Kit – Thru the Wall	DVK05
Vent Kit – Flexi Duct	DVK06

MODELS: 39P400M; 39S500M
39S600M

WIRING DIAGRAM
173 300 736

