

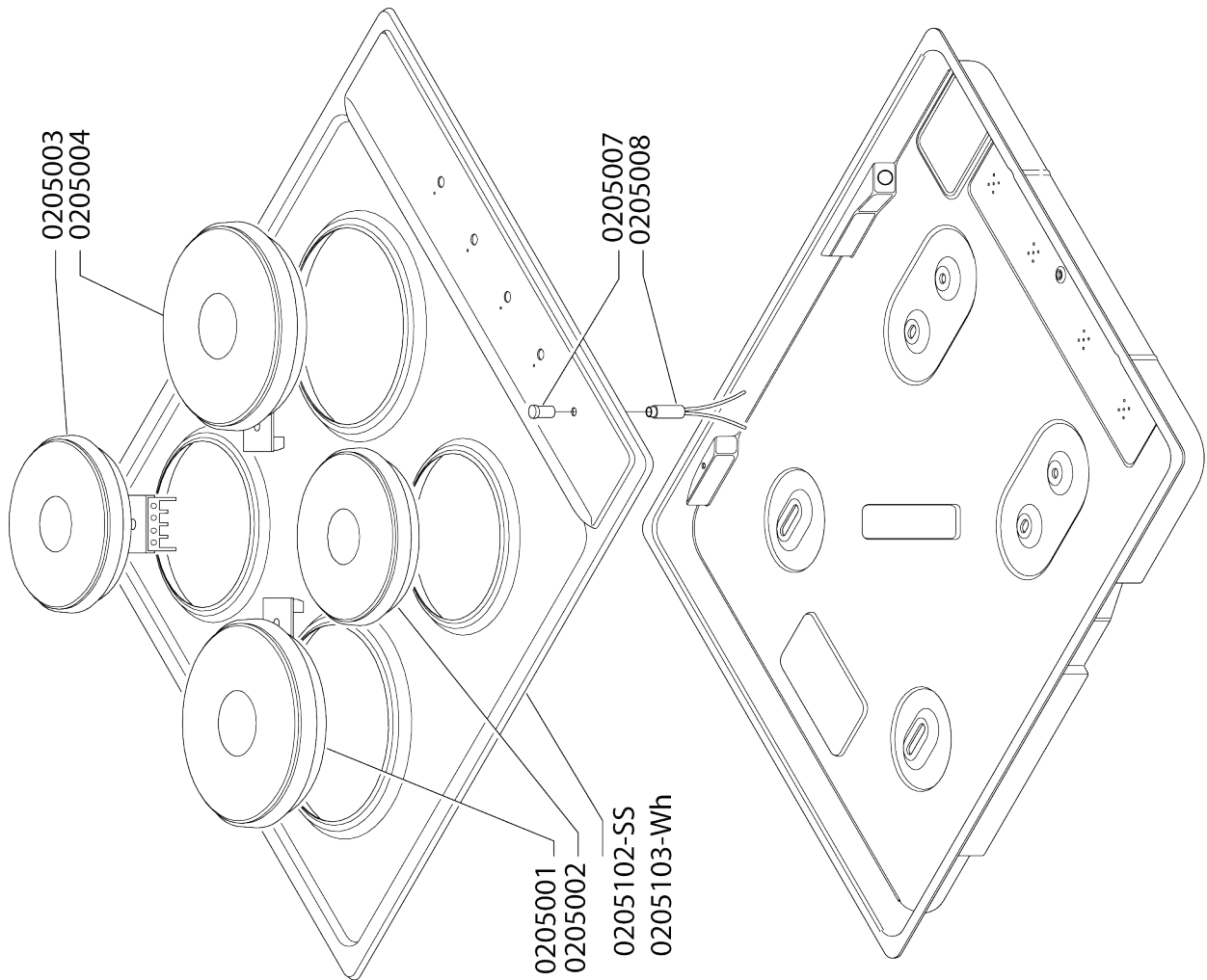
intersource  
SOLUTIONS

# Service Manual

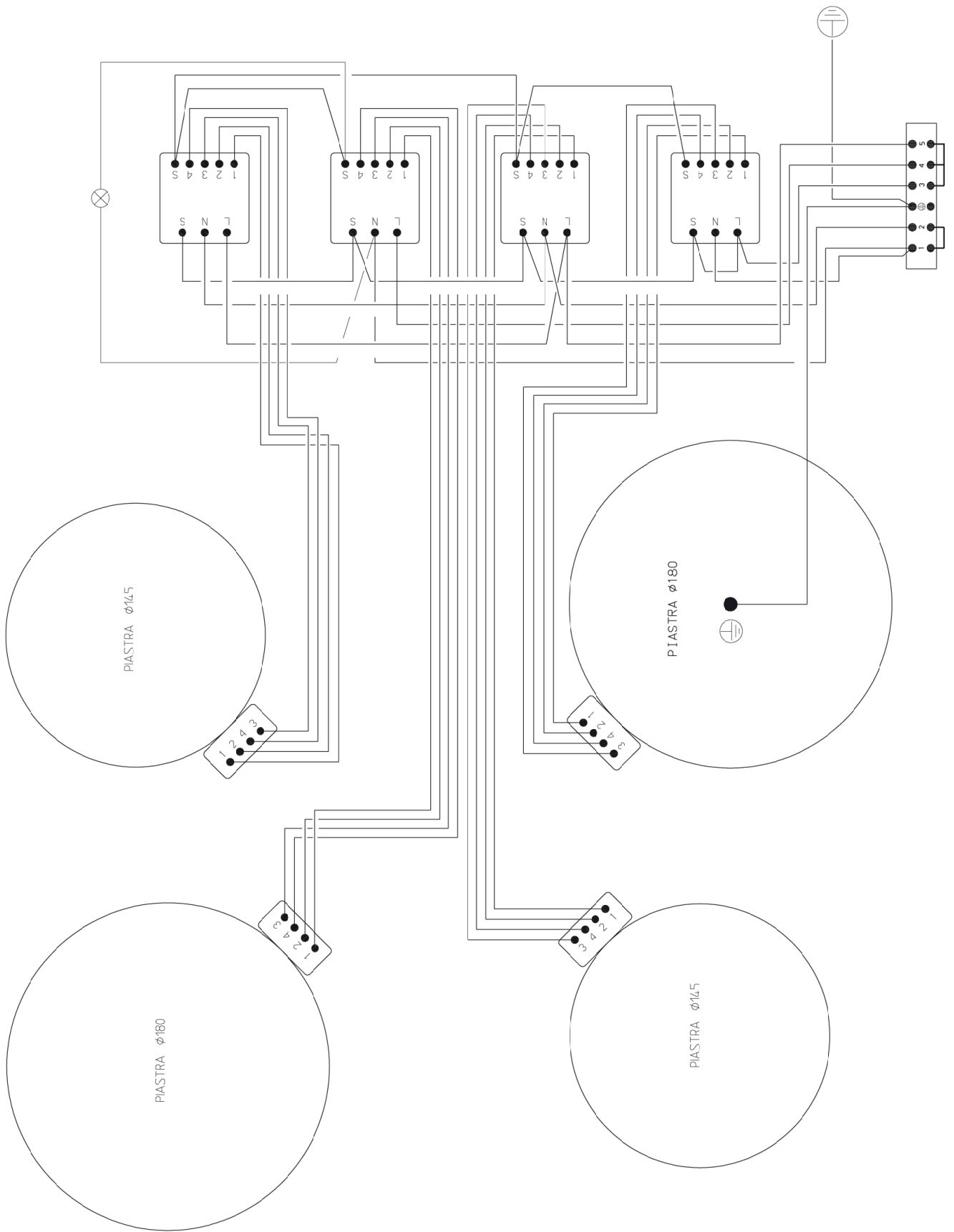
MODEL: **ZTF-4EL**. PRODUCT: **600 ELECTRIC HOB**

**Disclaimer.** The information contained in this service manual is intended for licensed service personnel only.

[intersource.co](http://intersource.co)



PART NUMBER	DESCRIPTION
0205001	Electric Plate 180N-230V 1500W
0205002	Electric Plate 145N-230V 1000W
0205003	Electric Plate 145R-230V 1500W
0205004	Electric Plate 180R-230V 2000W
0205005	2- Bank Switch
0205006	1- Bank Switch
0205007	Red Light Cover
0205008	Control Light
0205009	Knobs (Black)
0205102	Cooktop Top (stainless steel)
0205103	Cooktop top (white)
0214012	4- Bank Switch



intersource  
SOLUTIONS

PO Box 7785, Baulkham Hills BC, NSW 1755 Australia  
spares@intersource.co | 1300 985 815