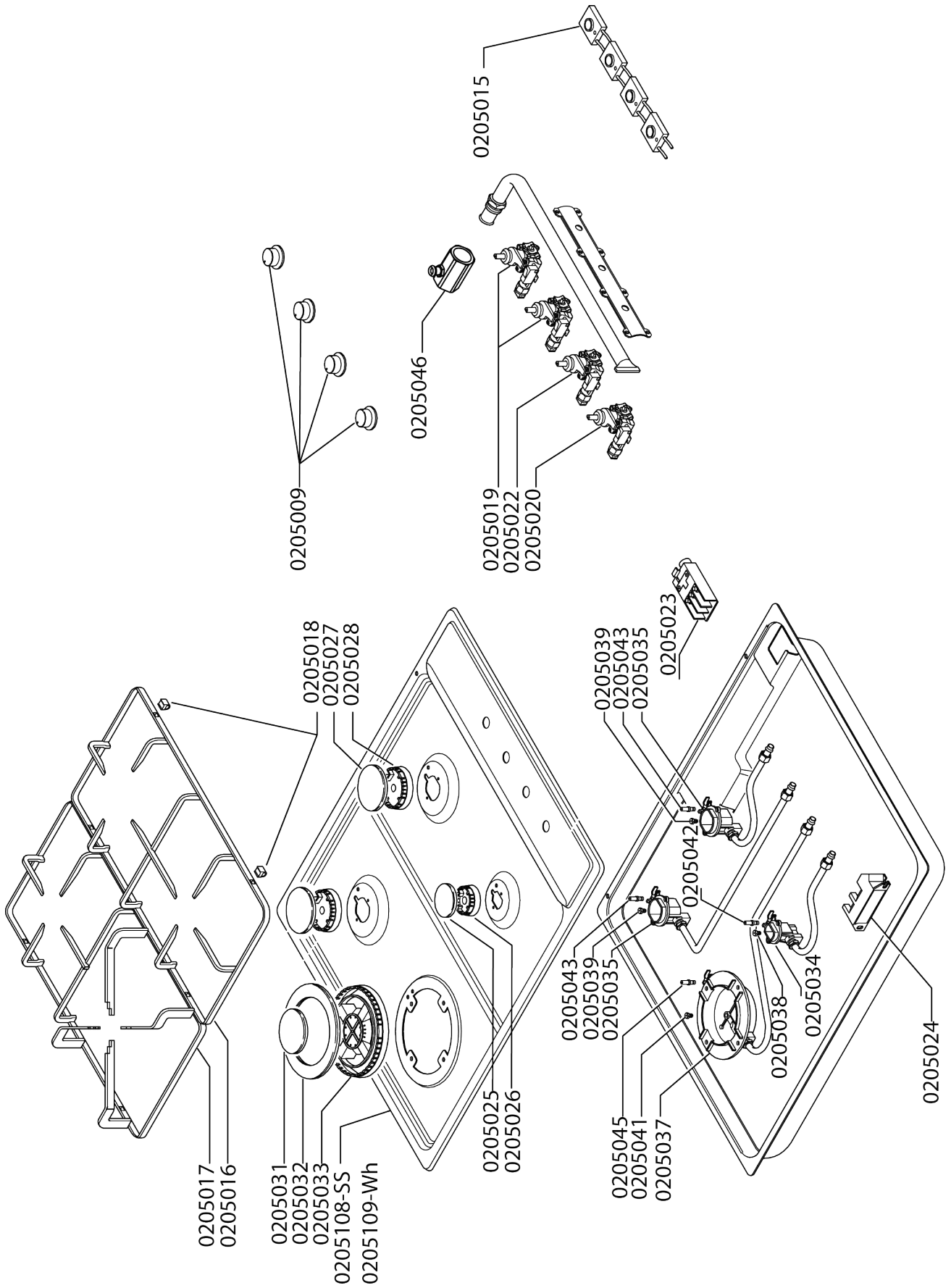


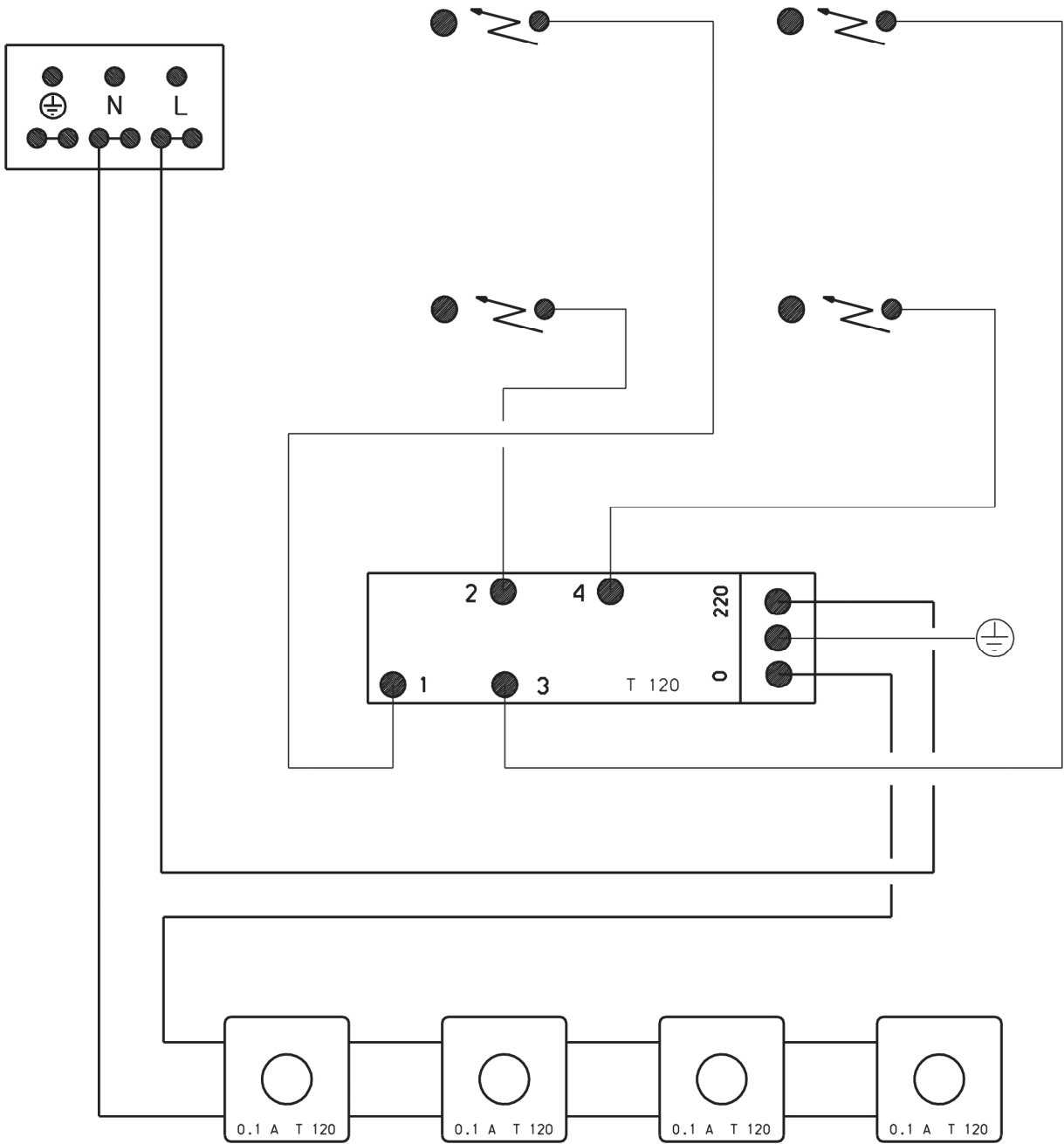
# Service Manual

MODEL: **ZTF-3GW**. PRODUCT: **600 GAS HOB WITH WOK**

**Disclaimer.** The information contained in this service manual is intended for licensed service personnel only.



PART NUMBER	DESCRIPTION
0205009	Knobs (black)
0205015	4-Point Microswitch
0205016	Enamel Trivet
0205017	Enamel Trivet (wok)
0205019	Gas Tap (162C)
0205020	Gas Tap (162B)
0205022	Gas Tap (162O)
0205023	Terminal Block (3 pole)
0205024	Ignition Generator
0205025	Aux Burner Cap
0205026	Aux Burner Diffuser
0205027	Semi-Rapid Burner Cap
0205028	Semi-Rapid Burner Diffuser
0205031	Inner-Wok Burner Cap
0205032	Outer-Wok Burner Cap
0205033	Wok Burner Diffuser
0205034	Aux Burner Cup
0205035	Semi-Rapid Burner Cup
0205037	Wok Burner Cup
0205038	0.54 Gas Jet
0205039	0.73 Gas Jet
0205041	1.06 Gas Jet
0205043	Semi-Rapid Ignition Candle
0205045	Wok Ignition Candle
0205046	Gas Inspection Point
0205108	Cooktop Top (stainless steel)
0205109	Cooktop Top (white)



intersource  
SOLUTIONS

PO Box 7785, Baulkham Hills BC, NSW 1755 Australia  
spares@intersource.co | 1300 985 815