

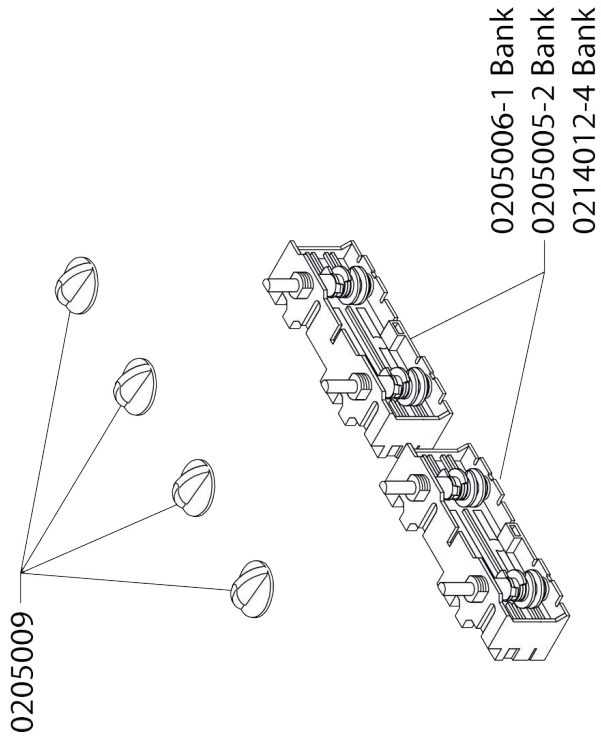
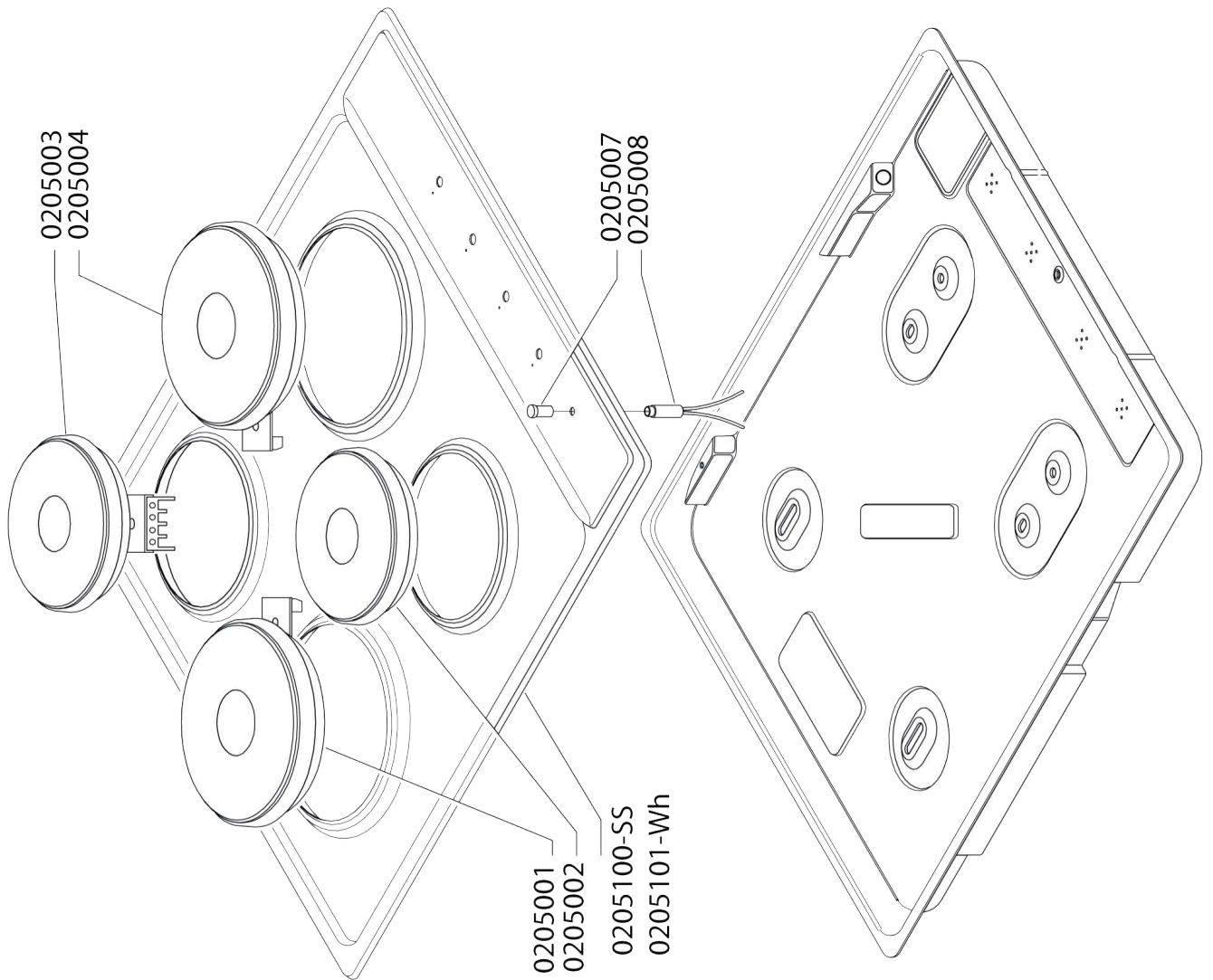
intersource  
SOLUTIONS

# Service Manual

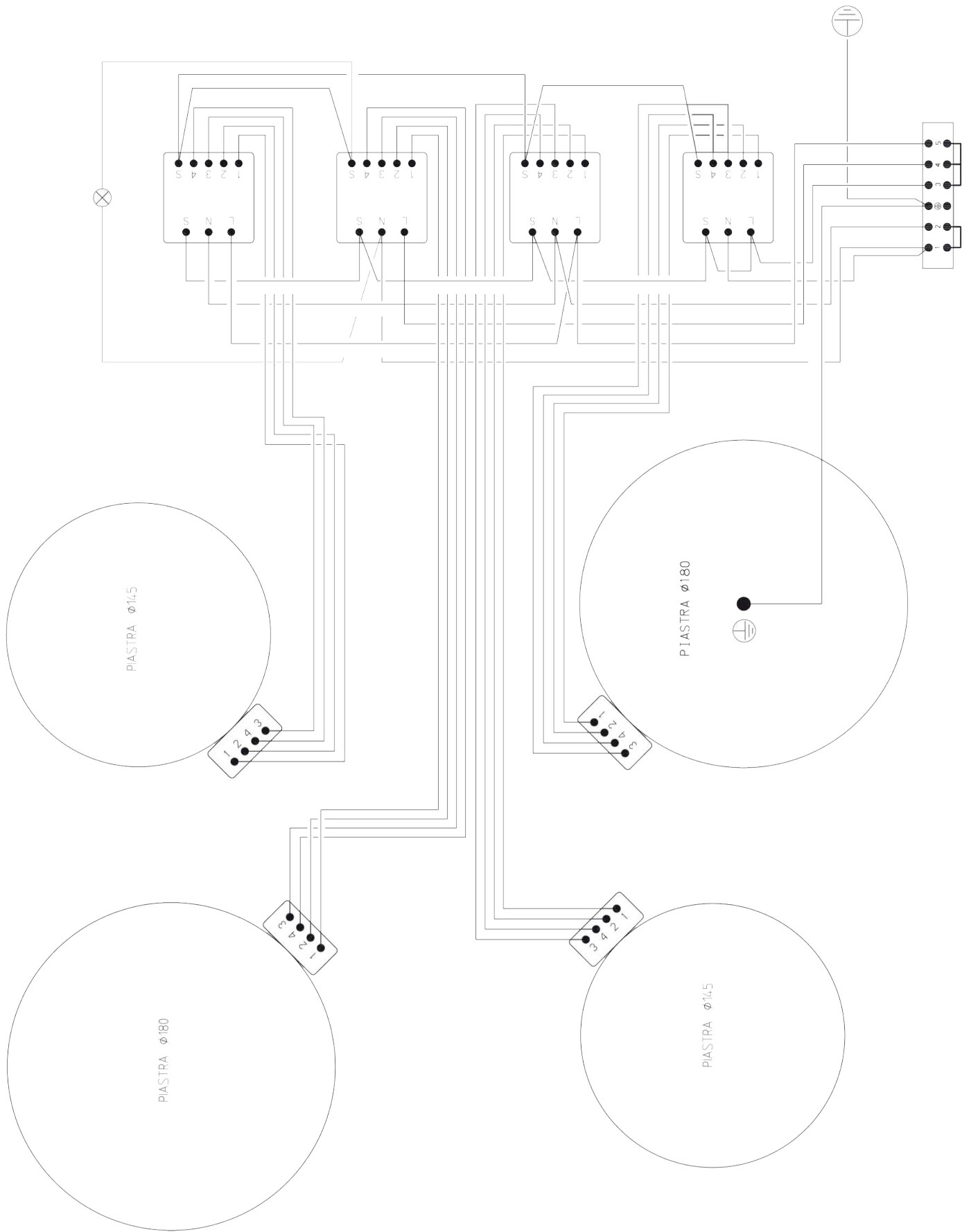
MODEL: **ZPL-4EL**. PRODUCT: **600 ELECTRIC HOB**

**Disclaimer.** The information contained in this service manual is intended for licensed service personnel only.

[intersource.co](https://www.intersource.co)



Part Number	Description
0205001	Electric Plate 180N-230V 1500W
0205002	Electric Plate 145N-230V 1000W
0205003	Electric Plate 145R-230V 1500W
0205004	Electric Plate 180R-230V 2000W
0205005	2-Bank Switch
0205006	1-Bank Switch
0205007	Red Light Cover
0205008	Control Light
0205009	Knobs-Black
0205100	Cooktop Top-Stainless
0205101	Cooktop Top-White
0214012	4-Bank Switch



intersource  
SOLUTIONS

PO Box 7785, Baulkham Hills BC, NSW 1755 Australia  
spares@intersource.co |1300 985 815