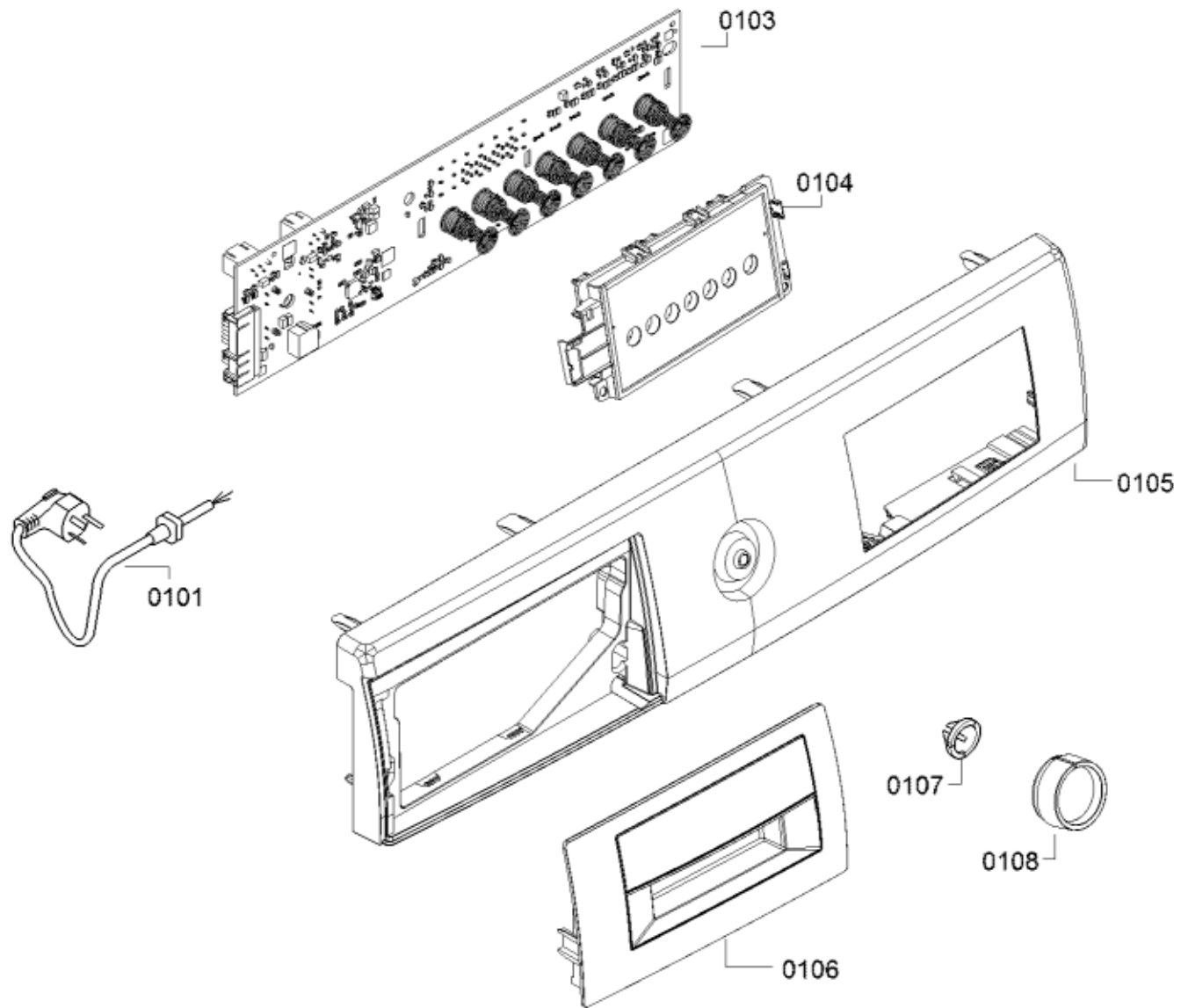
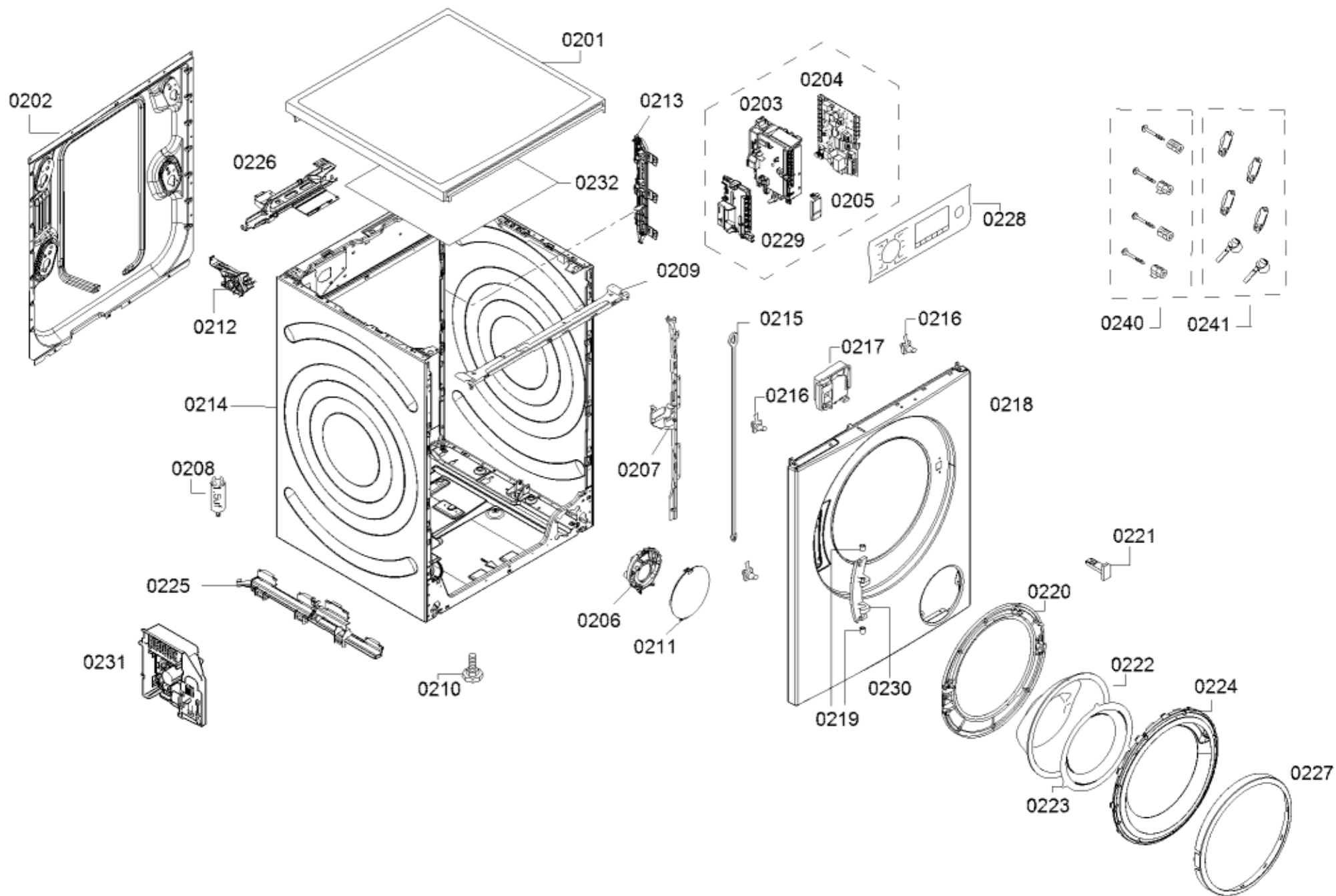




0199

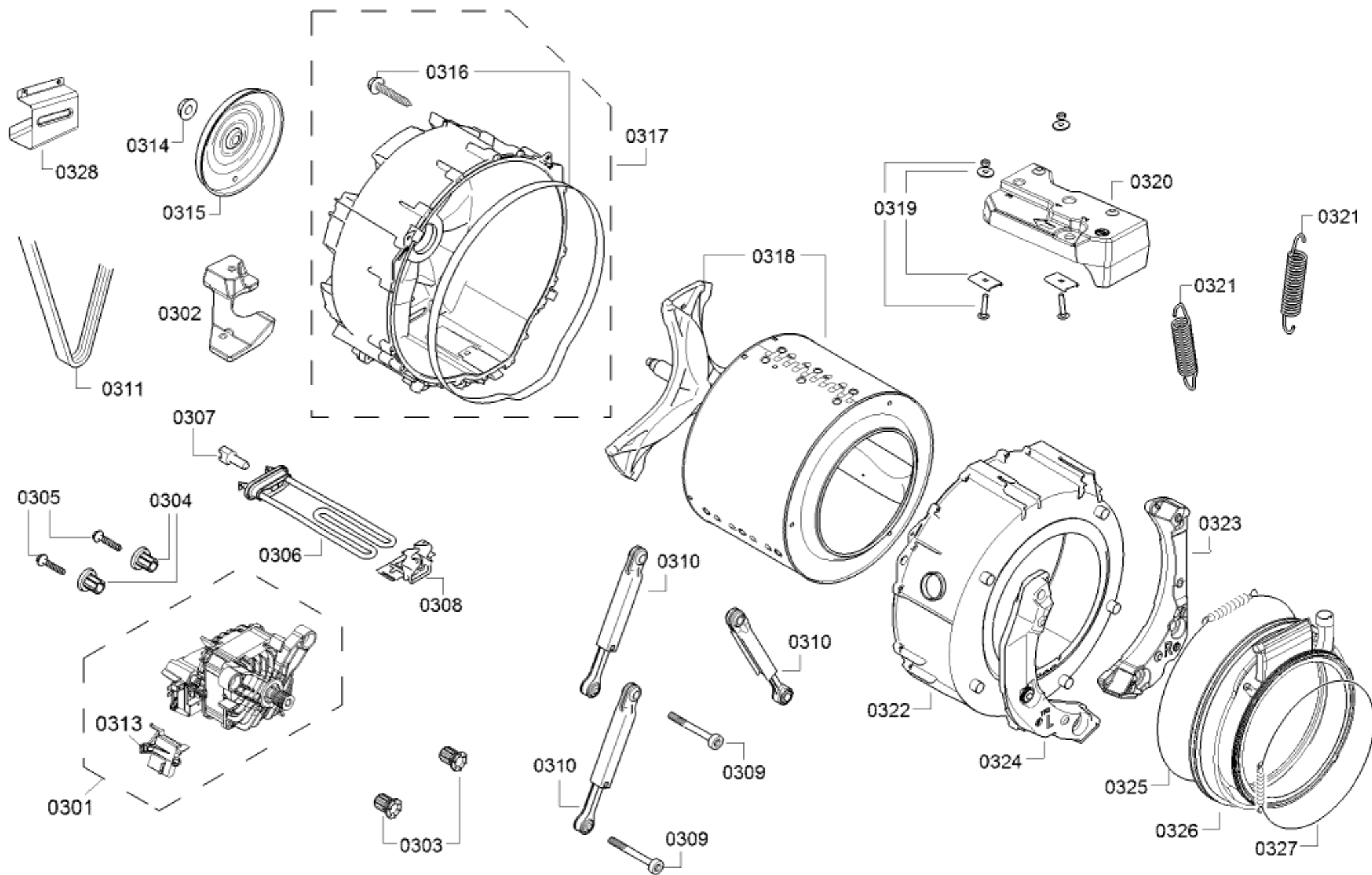


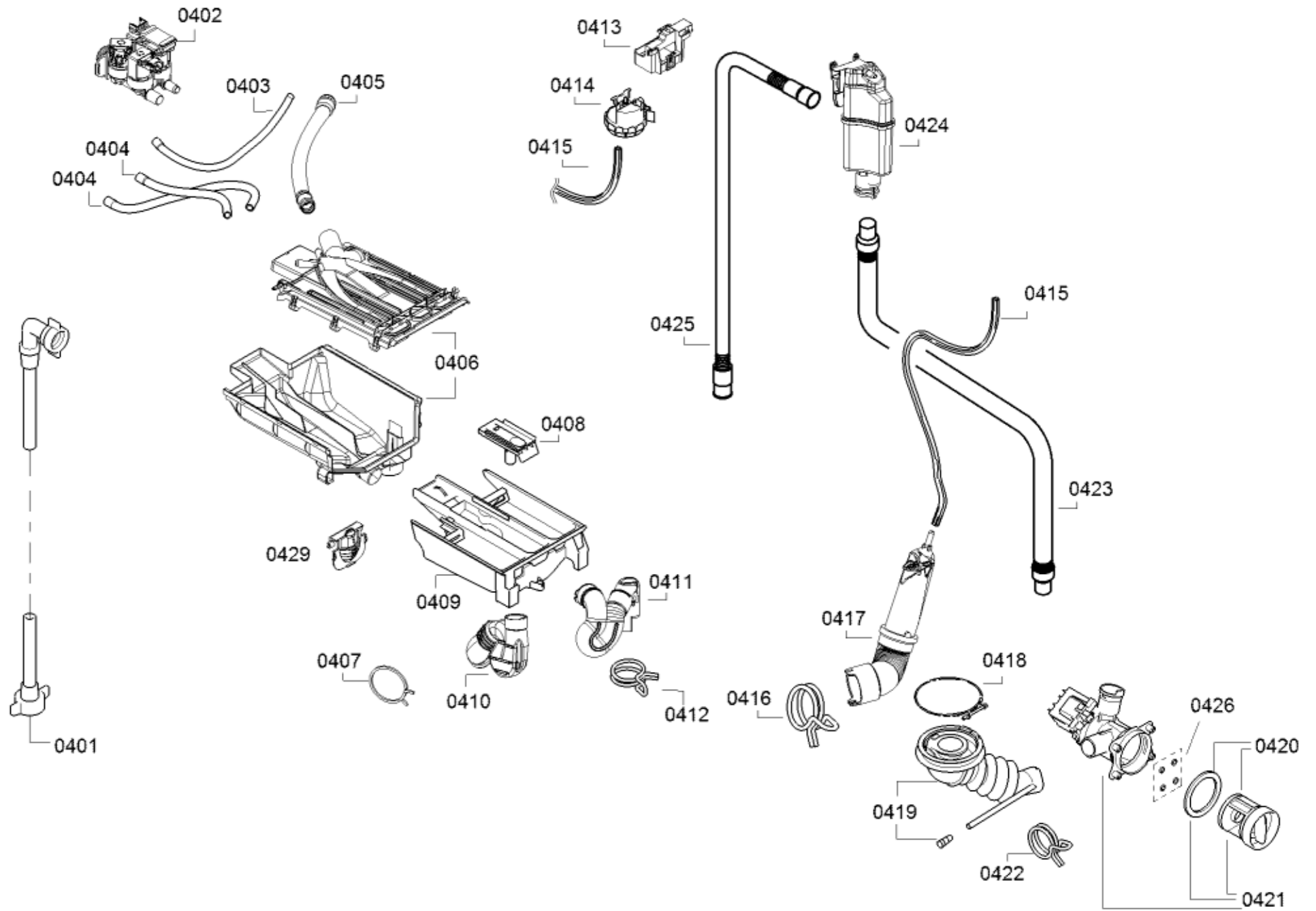
[sparePartPage.Part.Repl.]	[sparePartPage.Part.PM]	[sparePartPage.Part.Repl.]	[sparePartPage.Part.Description]
0101	00444382		Power cord
0103	11003952	11024433	Operating module not programmed
0104	12006882		Lightguide
0105	11026509		Panel-facia
0106	12006167		Tray handle-dispenser
0107	00604072		Coupling
0108	00633707		Knob-programme
0199	00552829		Part not included in this appliance
0103	12031357		Operating module programmed

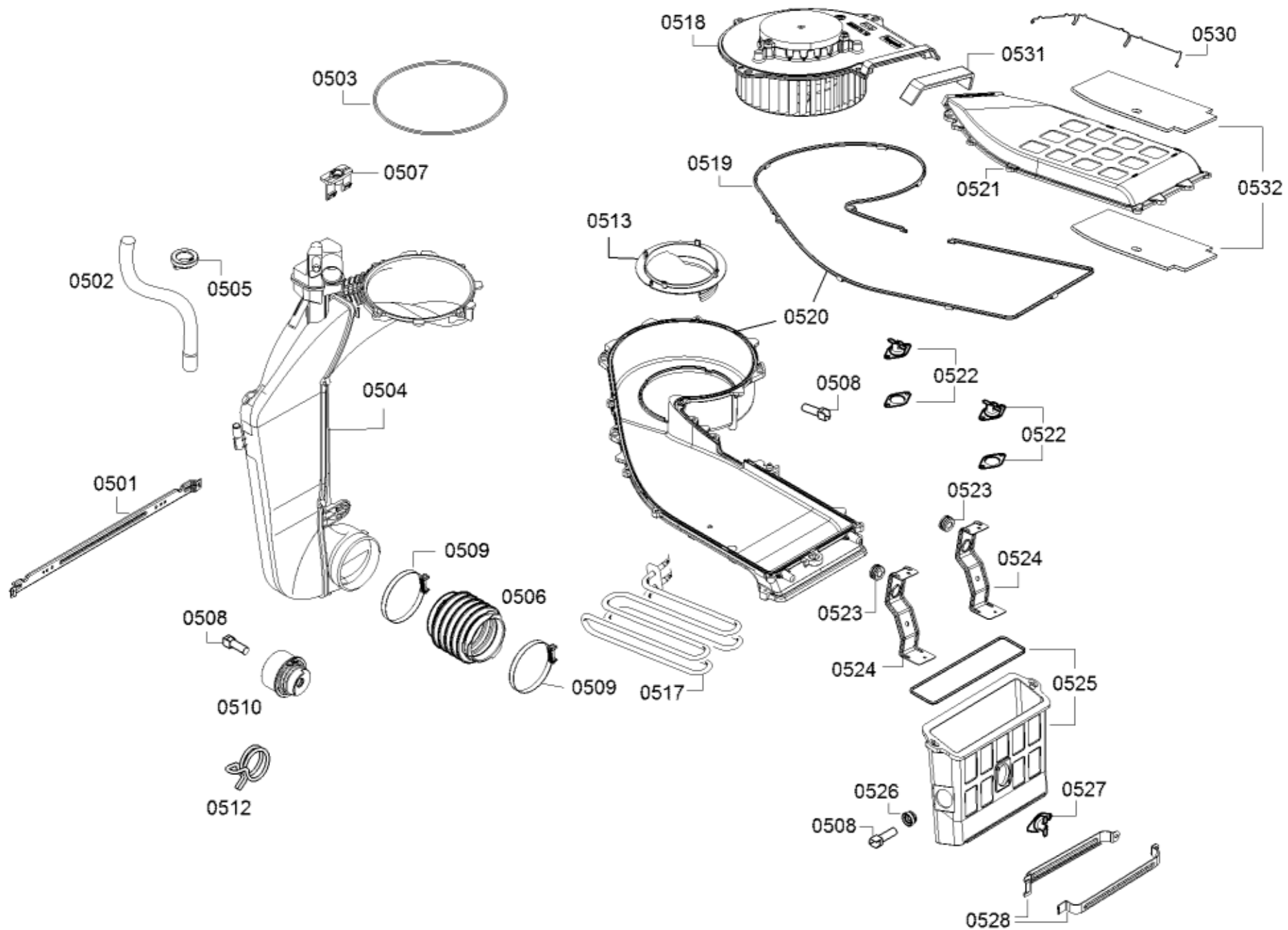


[sparePartPage.PartPage.PartPage.PartPage.PartPage]	[sparePartPage.PartPage.PartPage.PartPage.PartPage]	[sparePartPage.PartPage.PartPage.PartPage]	[sparePartPage.PartPage.PartPage.PartPage]	[sparePartPage.PartPage.PartPage.PartPage]
0201	00687848			Worktop
0202	00682842			Back panel
0203	11005099	11012374		Cover
0205	00633543			Cover
0206	00628441			Retaining plate
0207	00658917			Support
0208	00618422			Capacitor
0209	00741362			Rail
0210	00615920			Foot
0211	00624336			Flap
0212	00626363			Holder
0213	00754179			Support
0214	00713139			Housing
0215	00673921			Band
0216	00615947			Fixture
0217	00627046	00638259		Electric lock
0218	00687288	00778561		Front panel
0219	00626460			Bushing
0220	11004263			Frame-window
0221	00627057			Hook
0222	00677918			Window
0223	12006886			Cover
0224	11007006			Spacer
0225	00657893			Support
0226	00754178			Support
0227	11004259	11030559		Frame-window
0228	00634906			Adhesive legend
0229	12006883			Drying module

0230	00633549		Hinge
0231	11004775	11032488	Motor module
0232	00749648		Insulating part
0240	00619187		Fixing kit
0241	00617675		Holder
0204	12005641		Control module not programmed
0204	12031355		Power/inverter module programmed







0529	00552829		Part not included in this appliance
0530	00618424		Holder
0531	00618848		Sealing
0532	00650905		Insulating part

