

Electrolux

SPARE PARTS LIST

Floor Stick Rechargeable

0920

Item	PNC	ELC	Brand	Model	Market
A	900943245	00	Electrolux	WQ71-P50IB	AUS/NZE
A	900943246	00	Electrolux	WQ71-ANIMA	AUS/NZE

SAFETY WARNING

Always turn off and unplug the machine before detaching any parts.

When servicing machines, do not remove ANY detachable parts while the machine is powered. The reason is internal faults may cause shorts to components that are normally at low voltage presenting a shock hazard.

	Floor Stick	
<p>Electrolux APAC & MEA</p> <p>1910 Electrolux Building New Petchburi Rd. Bangkapi Huaykwang Bangkok , 10310 Tel : +662 725 9000</p>	Rechargeable	

Publication-No.
599838835

20200723

Model

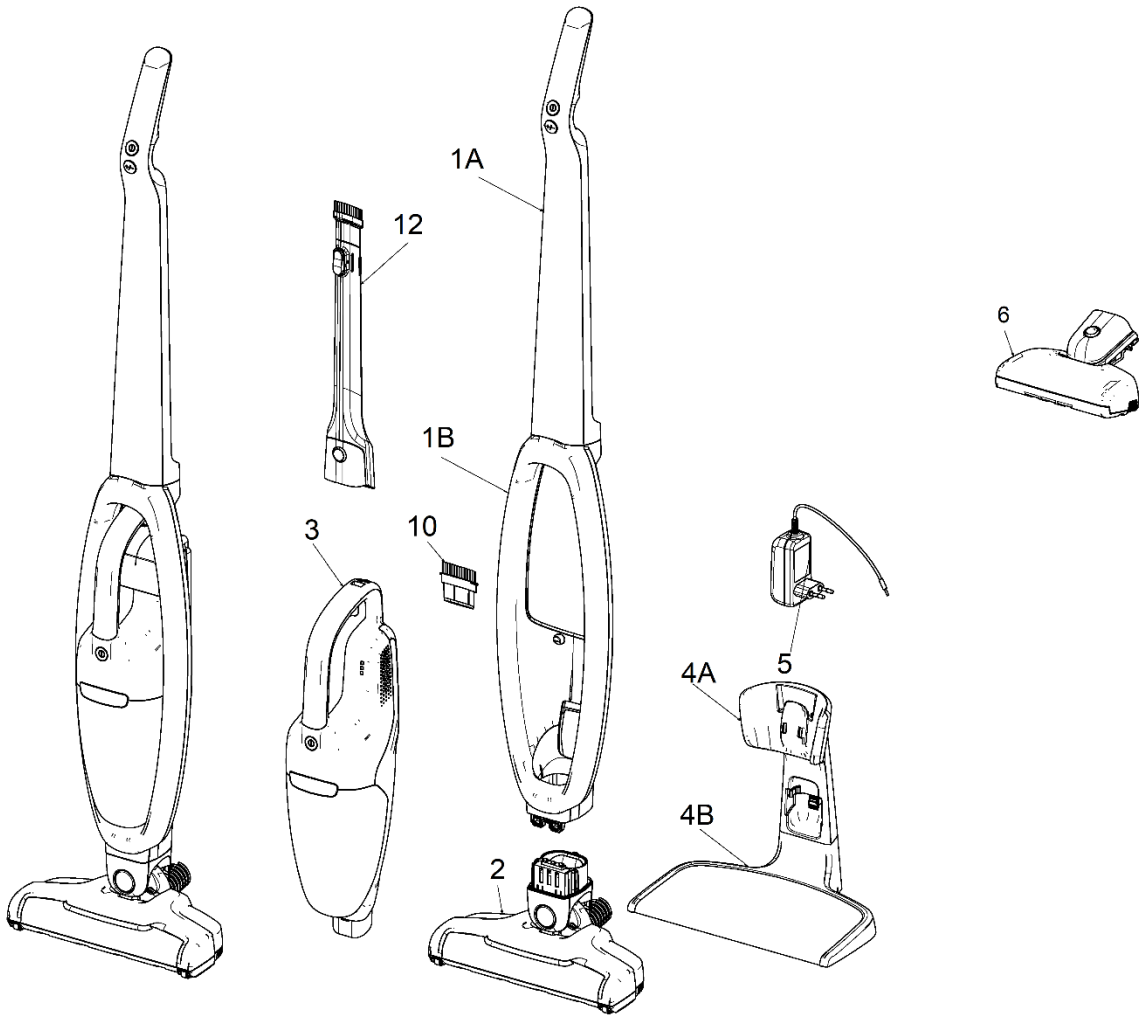
PNC

Ex. View Drawing
Housing Assembly

WQ71-P501B
WQ71-ANIMA

900943245
900943246

Stick Unit



Item	PNC	ELC	Brand	Model	Market
A	900943245	00	Electrolux	WQ71-P50IB	AUS/NZE
A	900943246	00	Electrolux	WQ71-ANIMA	AUS/NZE

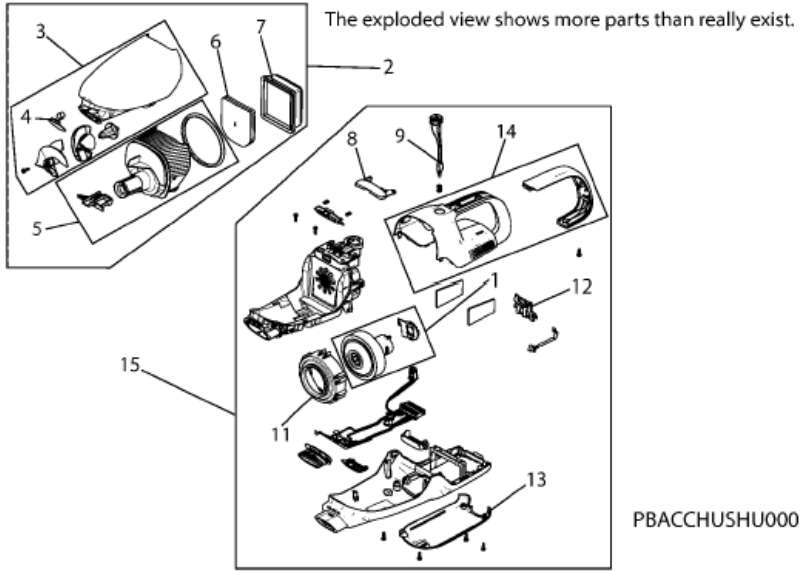
Pos.	Part No.	Description	900943245 00 WQ71-P50IB	900943246 00 WQ71-ANIMA
1A	140197783081	HANDLE STICK, IB	•	
1A	140197783123	HANDLE STICK, CR		•
1B	140197784048	FRAME STICK, IB	•	
1B	140197784097	FRAME STICK, CR		•
2	140188845022	Nozzle BRC	•	•
3	140197785045	HAND UNIT, IB	•	•
3	140197785102	HAND UNIT, CR	•	•
4A	140197787017	CHARGING STAND UPPER	•	•
4B	140150544017	CHARGING STAND BASE	•	•
5	KSC18W350050HA	ADAPTOR (ANZ) OUT35V, 0.5A	•	•
6	4055483699	PET NOZZLE		•
10	4055483160	MINI DUSTING BRUSH	•	•
12	4055483723	TELESCOPIC TUBE	•	•

Model
WQ71-P50IB
WQ71-ANIMA

PNC
900943245
900943246

Ex. View Drawing Housing Assembly

Hand Unit



PBACCHUSHU000

Item	PNC	ELC	Brand	Model	Market	
A	900943245	00	Electrolux	WQ71-P50IB	AUS/NZE	
A	900943246	00	Electrolux	WQ71-ANIMA	AUS/NZE	
					900943245 00 WQ71-P50IB	
					900943246 00 WQ71-ANIMA	
Pos.	Part No.	Description				
1	140197788023	MOTOR MAIN			•	•
2	140197790011	DUST CONTAINER WITH FILTER			•	•
3	140197792017	DUST CONTAINER			•	•
4	140181043013	FLAP			•	•
5	140197793015	NOSE CONE			•	•
6	140159503014	FOAM LAYERS			•	•
7	140117409031	COMPLETE FILTER E10			•	•
8	140141358022	DUST CONTAINER RELEASE BUTTON			•	•
9	140161361054	HANDHELD ON-OFF BUTTON, IB			•	
9	140161361104	HANDHELD ON-OFF BUTTON, CR				•
11	140142024011	SUSPENSION			•	•
12	140156654018	LIGHT GUIDE			•	•
13	140156728010	BATTERY COVER			•	•
14	140141360069	HANDHELD HANDLE, IB			•	
14	140141360101	HANDHELD HANDLE, CR				•
15	140197791100	COMPLETE HAND UNIT W/O DUST CONTAINER, IB			•	
15	140197791043	COMPLETE HAND UNIT W/O DUST CONTAINER, CR				•

Model

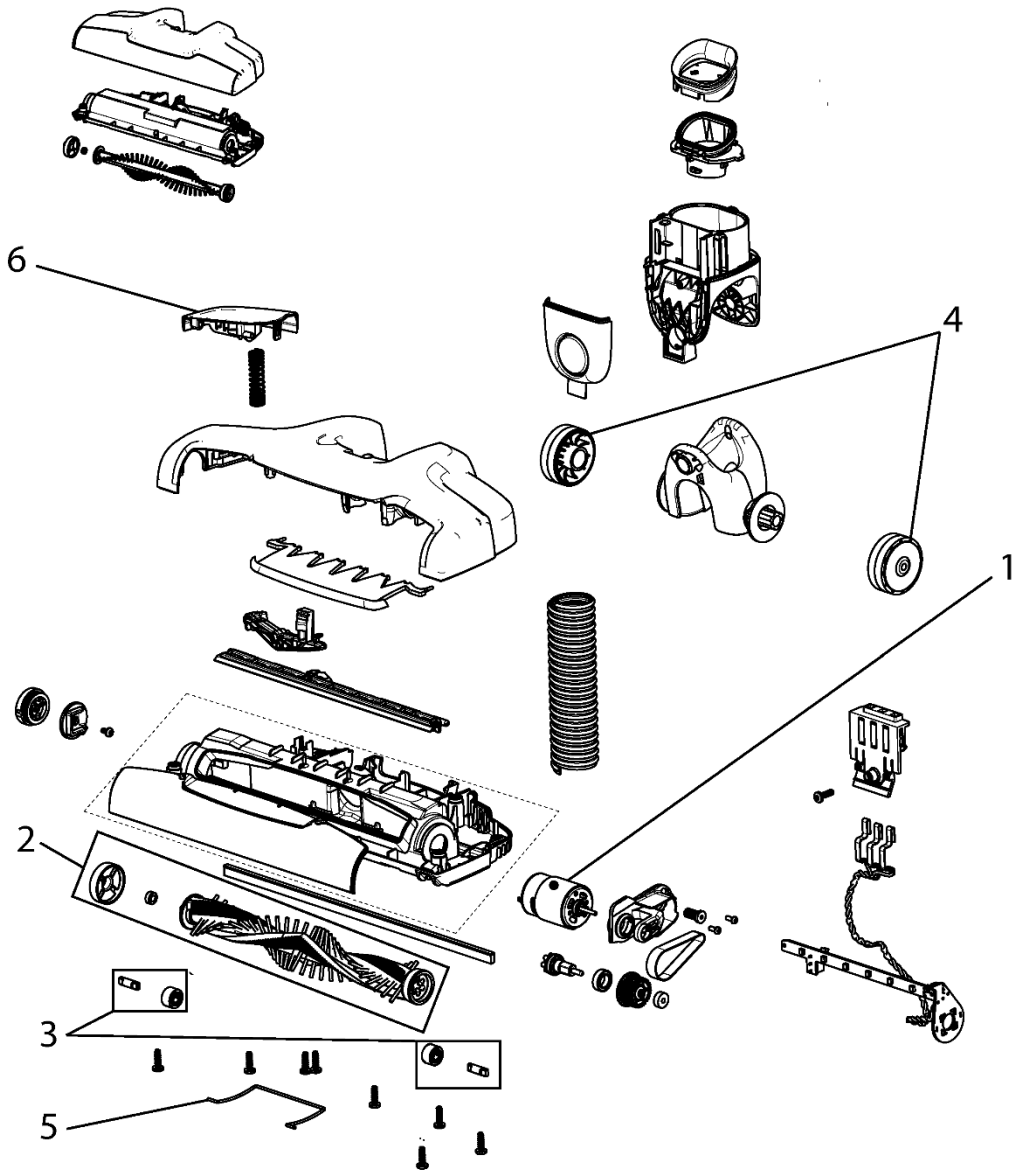
PNC

Ex. View Drawing
Housing Assembly

WQ71-P50IB
WQ71-ANIMA

900943245
900943246

Main Nozzle



The exploded view shows more parts than really exist.

Item	PNC	ELC	Brand	Model	Market
A	900943245	00	Electrolux	WQ71-P50IB	AUS/NZE
A	900943246	00	Electrolux	WQ71-ANIMA	AUS/NZE

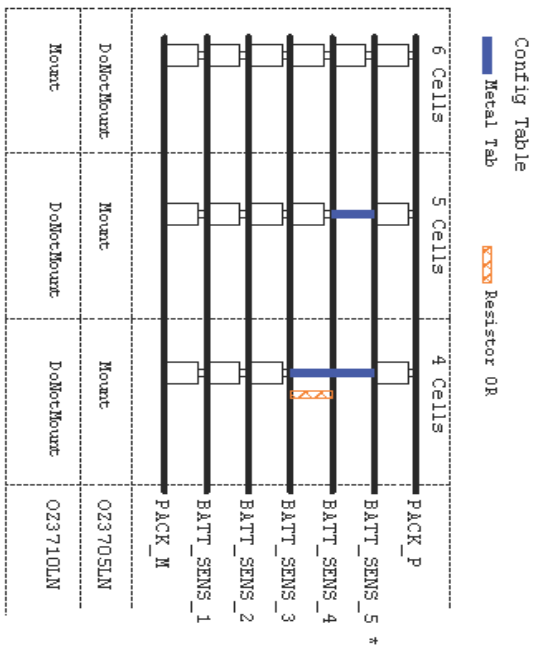
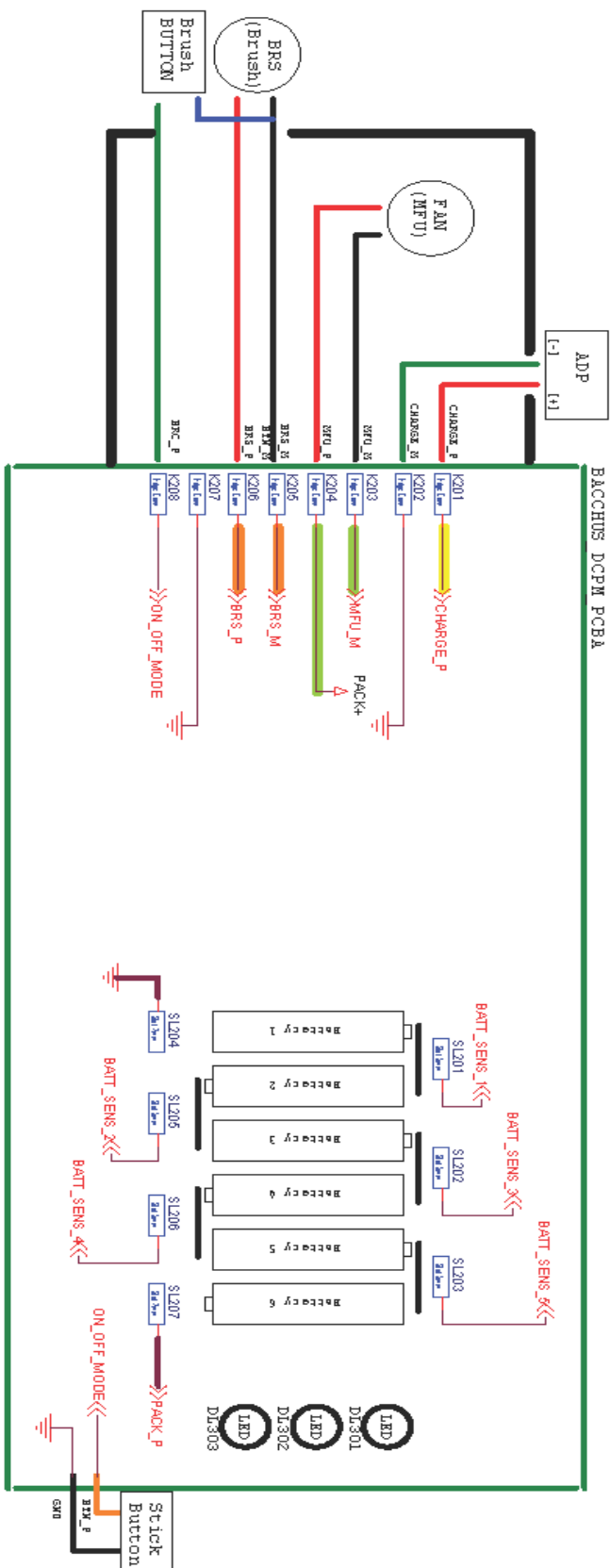
Pos.	Part No.	Description	900943245 00 WQ71-P50IB	900943246 00 WQ71-ANIMA
1	140197906013	BRUSH MOTOR WITH FILTER BOARD BRC	•	•
2	140125351027	BRUSH ROLL BRC	•	•
3	140197902012	FRONT WHEEL SHAFT	•	•
4	140197903010	REAR WHEEL	•	•
5	140165540018	GRILL NOZZLE	•	•
6	140169451014	PEDAL BRC	•	•

Wiring Diagram

PNC

Model

WQ71-P50IB 900943245
 WQ71-ANIMA 900943246



Note: * BATT_SENS_5 not connected to OZ3705LM

