



ELECTROLUX HOME PRODUCTS PTY LTD
ABN 51 004 762 341

Technical Publication N° WM292

Issue: 1
Date: 10/13

SIMPSON

TOP LOAD WASHING MACHINES

SECTION	PAGE N°
TOP PANEL ASSEMBLY	2 & 3
WRAP ASSEMBLY	4 & 5
SPIN & OUTER BOWLS and AGITATOR ASSEMBLY	6 & 7

Release Date

1/3/2011

Variant *01* May 2012

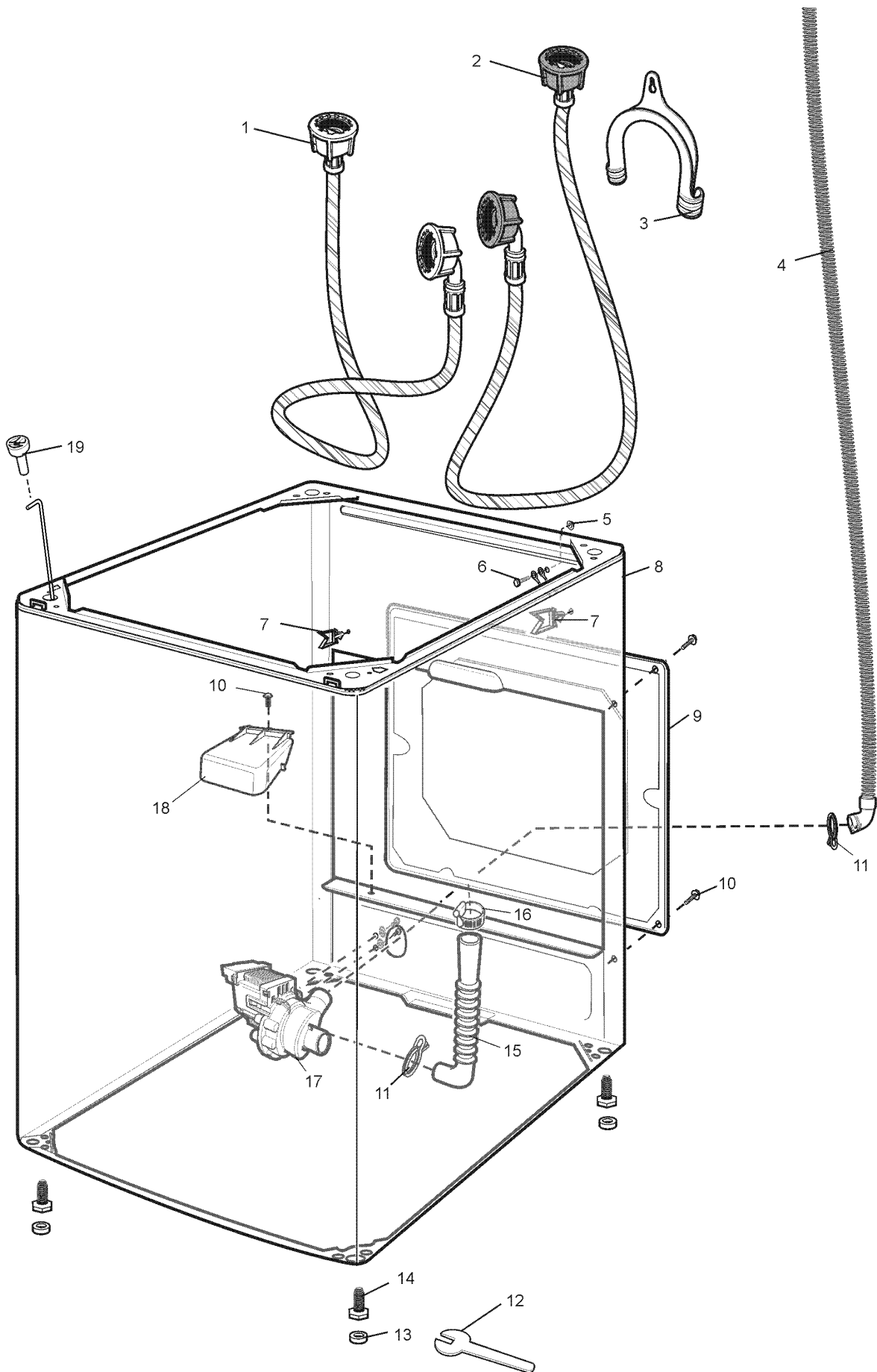
Variant*02* Nov 2013

MODEL:

SWT954

PNC 913041064 02

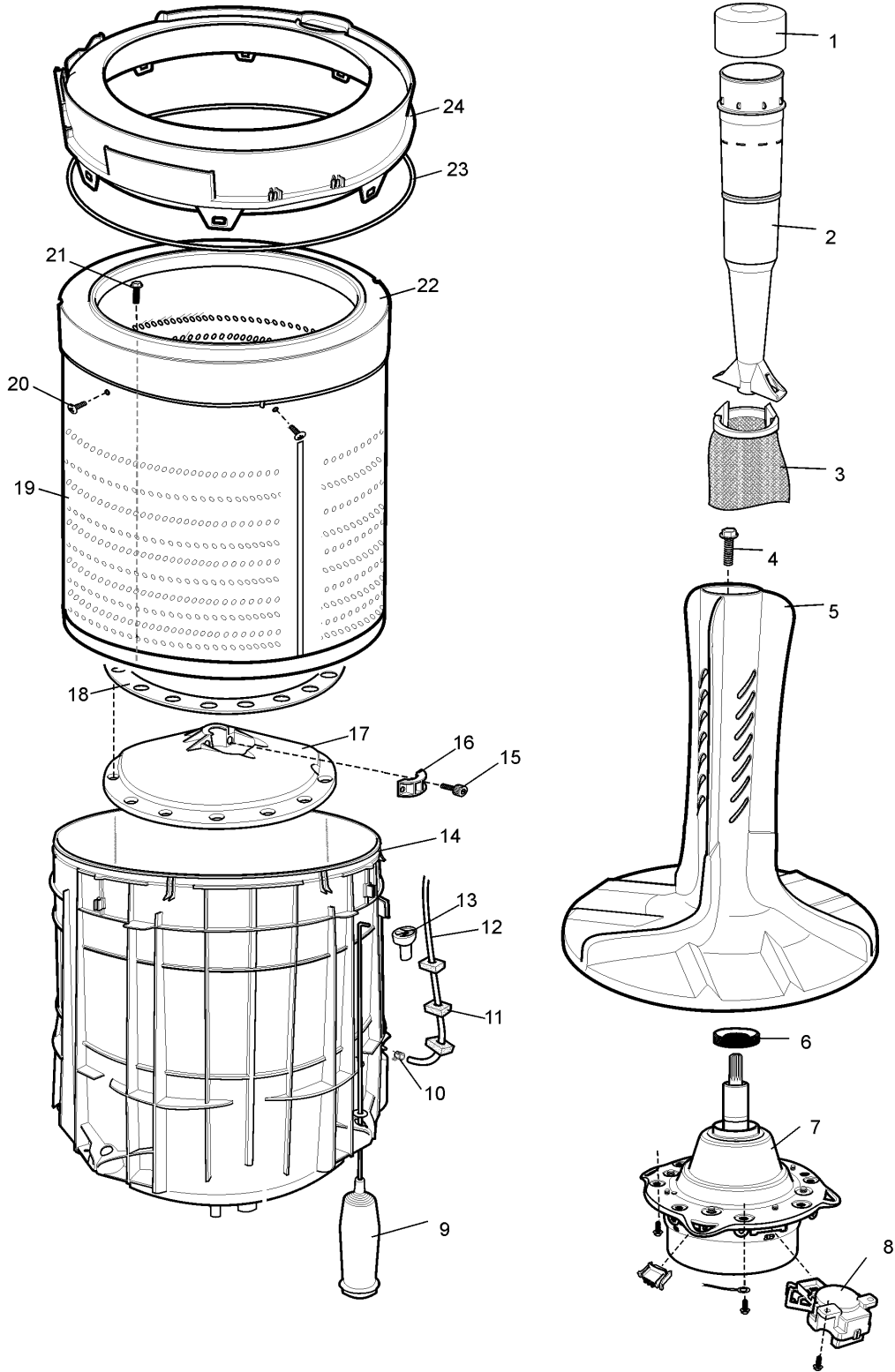
ITEM	PART N°	DESCRIPTION	Ex.7696	QTY
1	119400500	Knob, Program Selector		1
2	119124400	Screw WMCU		2
3	*119606120	Trim PMS Led Large Painted		1
4	119358000	Cover Switch		1
5	119025500	Switch		1
6	119125100	Screw Control panel		2
7	119450030	Housing Front Panel Unit		1
8	0133 200 130	Unit interface (FPU)		1
9	119450100	WMCU Power board		1
10	119020300	Switch Knock Off		1
11	0030 200 110	Bracket-Knock Off Switch		1
12	0028 200 097	Wiring Cover		1
13	0150 200 084	Screw		2
14	119245300	Lever Knock Off		1
15	119247300	Grommet Panel Top		3
16	119414520	Lid Lock		1
17	119123900	Screws		2
18	0150 200 074	Screw		4
19	119390200	Nozzle Eco Rinse		1
20	119273610	Panel, Top		1
21	0547 200 018	Grommet, Inlet Valve		2
22	119030810	Double Valve, Inlet, Cold (16 litres/min)		1
23	0136 200 082	Valve, Inlet, Hot (10 litres/min)		1
24	119011300	E.M.C. Filter		1
25	0005 200 007	Clamp Capacitor 1439/17/320		1
26	119270502	Dispenser Cover Large		1
27	119015400	Pressure Sensor		1
28	N.P.N	Service Cord (use item 29)		1
29	119002550	Adaptor Cable Management (inc S Cord)		1
30	119124900	Screw		4
31	119234200	Hinge Cover LH		1
32	119234300	Hinge Cover RH		1
33	119428800	Lid Solid Assembly		1
34	119267501	Screen Detergent Dispenser		1
N. I.	119382500	Wiring Harness		1
N. I.	119030900	Valve Inlet Plug		1
N. I.	0616200535	Instruction Underlid Suds lock		1
N. I.	119255510	Seal Panel Top large		1
N. I.	0208 200 055	Seal - Adaptor		1
*Order 119255510 Seal when ordering 119606120 Trim PMS				



ITEM	PART N°	DESCRIPTION	Ex. 7694	QTY
1	0571 200 125	Hose Assy., Inlet (Hot)(Inc. Tails, Red Nuts)		1
2	0571 200 124	Hose Assy., Inlet (Cold)(Inc. Tails, Blue Nuts)		1
3	0180 200 003	Hook, Outlet Hose (Production Hose)		1
	0180 200 001	Hook, Outlet Hose (Spares Replacement Hose)		1
4	*0571 277 083	Hose, Outlet (Inc. Item 3)(Spares Replacement)		1
5	0065 400 022	Nut, Earth		1
6	0150 200 098	Screw, Earth		1
7	0125 200 008	Clip		1
8	N.P.N	Not available as a spare part		
9	0038 250 494	Panel, Back		1
10	0150 200 084	Screw Back Panel		6
11	0005 250 406	Clamp Drain Hose		2
12	0069 200 003	Spanner, Levelling Leg		1
13	0581 200 014	Pad, Levelling Leg		4
14	0031 200 012	Levelling Leg		4
15	0571 200 119	Hose Tub to Pump		1
16	7550 001 022	Clamp		1
17	147112300	Pump		1
18	0028 200 089	Cover, Pump		1
19	360342	Cap, Suspension Rod		4
N I	8000 001 866	Washer, Strainer		2
N I	0065 200 012	Nut, Inlet Valve Sealing)(Optional)		1
N I	0125 200 033	Clip, Wiring		3
N I	0126 200 021	Sleeve, Wiring Harness		1
N I	0211 200 021	Grease, Suspension Rod Pivot Points (Nulon L90)(125g)		x
NOTE: *If outlet hose needs to be extended use Joiner, Part N° 1060 306 000 and Hose, Part N° 0571 277 083. It is possible to join the new hose to the old, however it looks odd due to the angled cuff plus it makes positioning of the hose more difficult.				

MODELS: SWT954 PNC 913041064 02

EX. VIEW DRAWING 7697
SPIN & OUTER BOWLS &
AGITATOR ASSEMBLY



ITEM	PART N°	DESCRIPTION	Ex.7697	QTY
1	0088 201 006	Cup Assy., Dispenser		1
2	0081 204 001	Frame, Filter (Inc. Cup)		1
3	0564 257 398	Bag Assy., Filter		1
4	0150 200 077	Screw, M6 x 20mm, Hex. HD. S.S.		1
5	0231 228 003	Agitator Assy. (Inc. Items 1, 2 & 3)		1
6	N.P.N .	Seal part of item 7		
7	119035310	Motor Gearbox		1
8	0214205001	Motor Brake Actuator-Clutch		1
9	119155400K	Rod Kit, Suspension (Kit of 4)		1
10	0005 200 020	Clamp, Air Tube		1
11	0492 200 001	Protector, Air Tube		3
12	0055 201 013	Tube, Air Dome to Pressure Switch		1
13	360342	Cap, Suspension Rod		4
14	119405010	Bowl Outer		1
15	0750 005 005	Screw, M8 x 30 mm, SKT S.S. (6 mm Head)		2
16	0005 200 008	Clamp, Spin Bowl Support Plate		1
17	0022 200 024K	Plate Assy., Spin Bowl Support		1
18	0188 277 019	Gasket, Bowl to Plate (Kit of 2)		1
19	119406700	Bowl, Spin		1
20	0150 200 083	Screw		8
21	0150 200 085	Screw		6
22	0223 213 001	Ring Assy., Balance		1
23	0208 200 023	Seal		1
24	119265910	Cover, Outer Bowl		1
N.I.	0567 250 004	Tool, Agitator Screw Removal		x
N.I.	0211 200 021	Grease, Suspension Rod Pivot Points (Nulon L90)(125g Tube)		x
N.I.	0211 277 001	Grease, Spin Bowl Support Plate, Clamp & Screws)(1 litre)		x
N.I.	0211 200 011	Grease (75 ml)(Alternative Size)		x