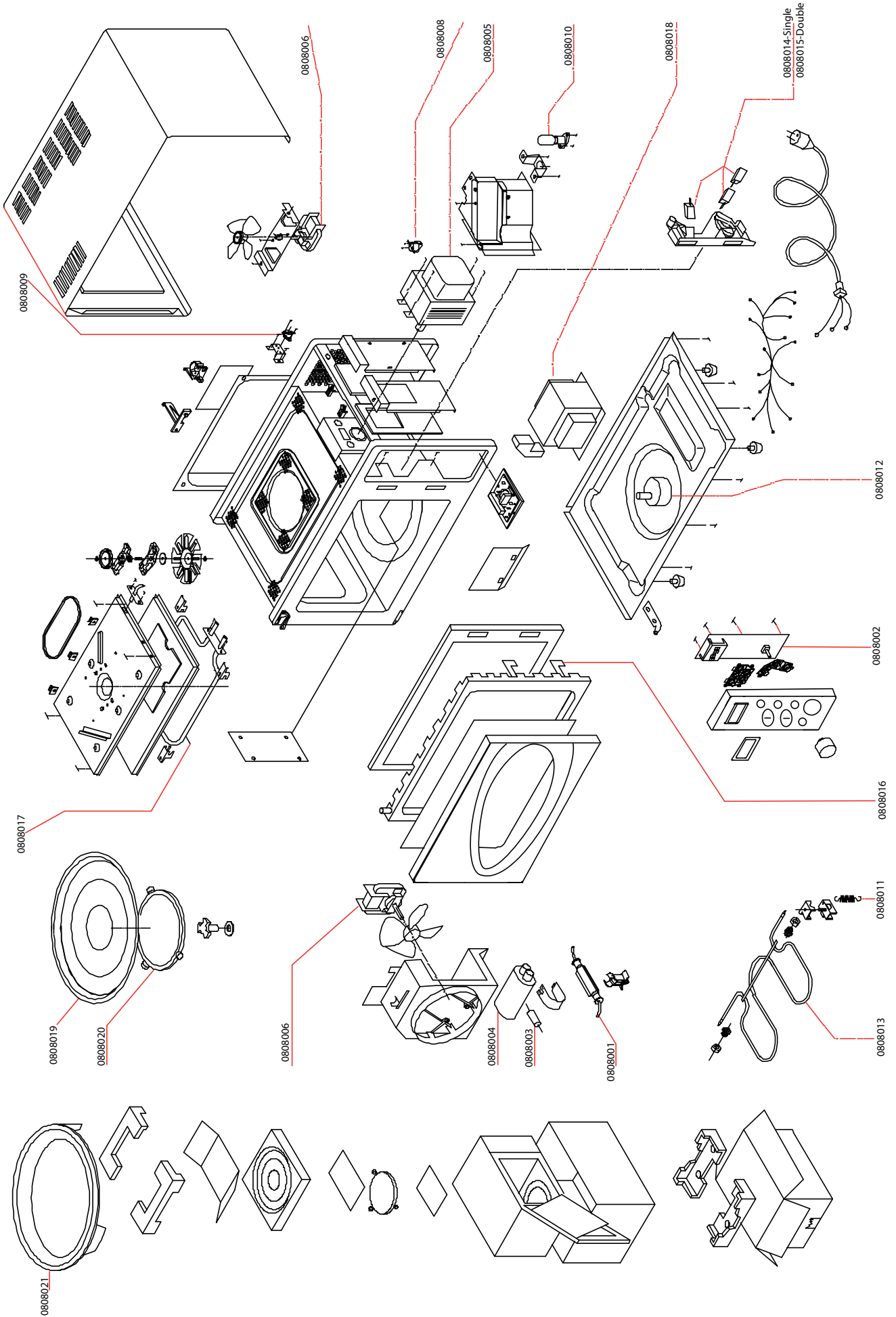


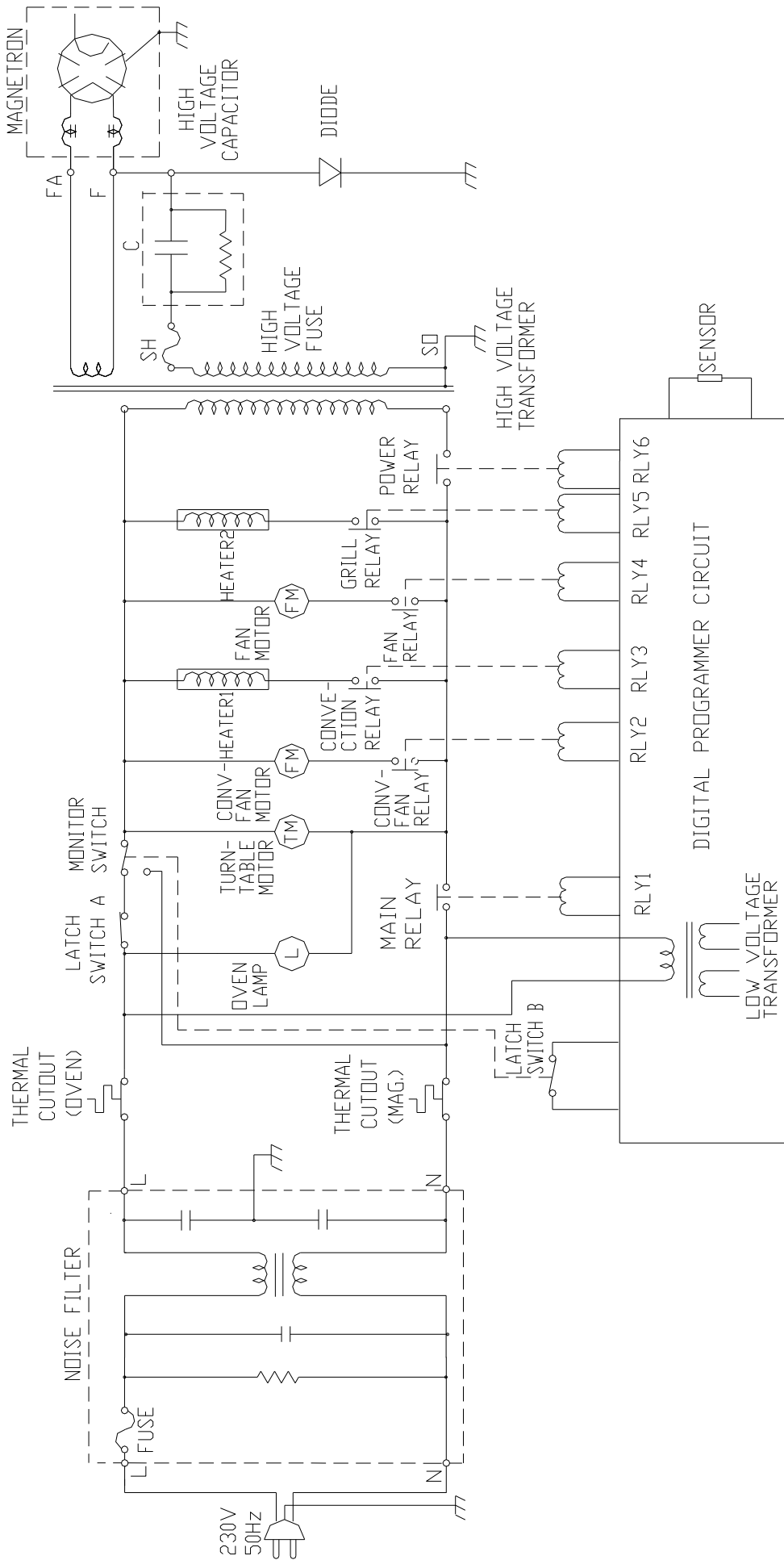
Service Manual

MODEL: **WD900DSL30R.**
PRODUCT: **MICROWAVE CONVECTION OVEN-WHITE**

Disclaimer. The information contained in this service manual is intended for licensed service personnel only.



PART NUMBER	DESCRIPTION
0808001	High Voltage fuse
0808002	Electronic Control Display PCB
0808003	High Voltage Diode
0808004	High Voltage Capacitor
0808005	Magnetron
0808006	Motor Fan
0808008	Thermostat (180degrees)
0808009	Thermostat (160degrees)
0808010	Lamp
0808011	Spring
0808012	Turntable Motor
0808013	Grill Element
0808014	Micro-Switch (single)
0808015	Micro-Switch (double)
0808016	Door Hook
0808017	Heater Element
0808018	HV Transformer
0808019	Glass Plate
0808020	Plastic Runner (3 wheel)
0808021	Metal Stand



intersource
SOLUTIONS

PO Box 7785, Baulkham Hills BC, NSW 1755 Australia
spares@intersource.co | 1300 985 815