

# SERVICE

M A N U A L

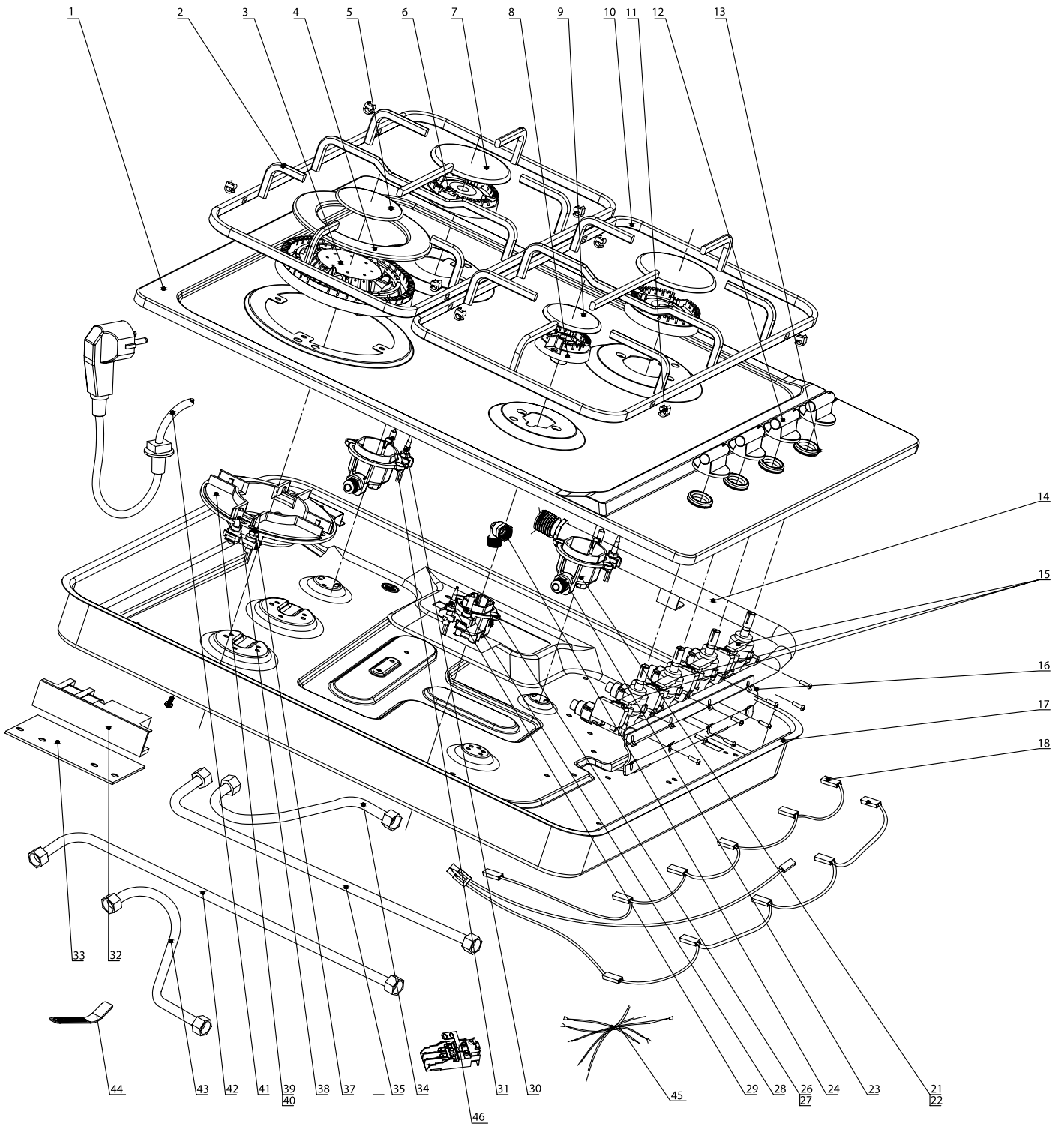
GAS HOB

VGWX60B1

## Disclaimer

The information contained in this Service Manual is intended for licensed service personnel only.

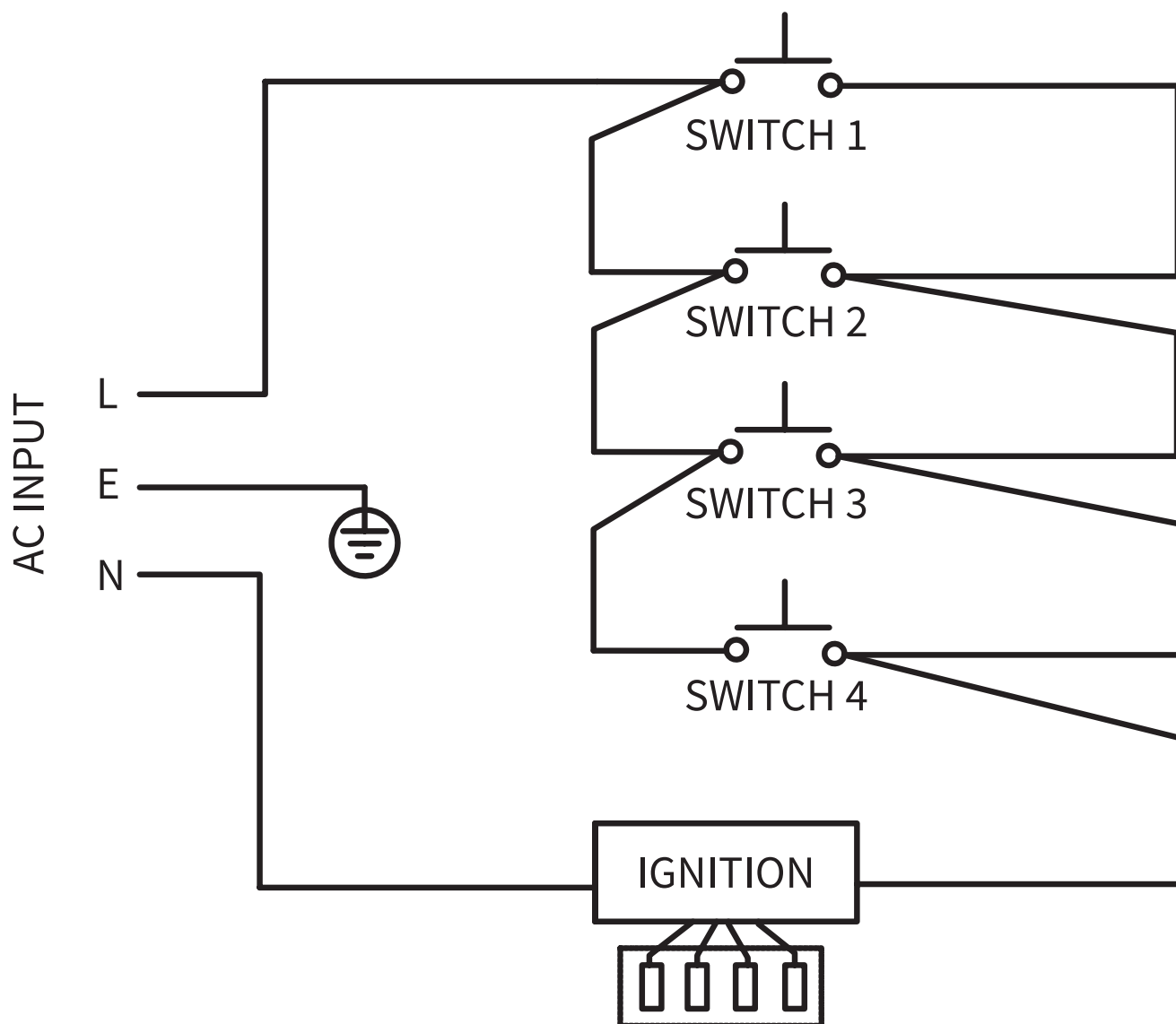
# EXPLODED VIEW



# PARTS LIST

Item	ISS Code	ISS DESCRIPTION
1	2211101	Top Plate - Stainless Steel (Vitale)
2	2299202	Left trivet - cast iron
3	2299313	Wok burner diffuser
4	2299311	Wok outer burner cap
5	2299312	Wok inner burner cap
6	2299306	Semi-rapid burner diffuser
7	2299305	Semi-rapid burner cap
8	2299303	Aux. burner difuser
9	2299302	Aux. burner cap
10	2299203	Right trivet - cast iron
11	2299901	Rubber foot (cast iron trivets)
12	2299401	Knob - Silver
13	2299402	Gasket - top plate knob cutouts
14	2299644	Gas inlet manifold
15	2299643	Gas valve, FFD - wok burner
15	2299641	Gas valve, FFD - semi-rapid burner
15	2299640	Gas valve, FFD - aux. burner
16	2299108	Bracket for gas valves
18	2299510	Wire for microswitches - short
21	2299307	Semi-rapid burner cup (base)
22	2299612	Gas injector Ø 1.12 - semi-rapid burner
24	2299639	Elbow - gas fitting
26	2299304	Aux. burner cup (base)
27	2299611	Gas injector Ø 0.83 - aux. burner
28	2299518	Ignition candle - rapid & semi-rapid burners (rear left - long cable)
29	2299515	Thermocouple FFD - semi-rapid burner
30	2299514	Thermocouple FFD - aux./rapid burners
31	2299517	ignition candle - aux./semi-rapid burners (rear right - short cable )
32	2299511	Ignition generator - 4 points
34	2299648	Gas pipe - left semi-rapid burner
35	2299645	Gas pipe - wok burner
37	2299516	Thermocouple FFD - wok. burner
38	2299519	Ignition candle - wok burner
39	2299314	Wok burner cup (base)
40	2299614	Gas injector Ø 1.65 - wok burner
41	2299512	Flexible power cord - AUS 10A
42	2299646	Gas pipe - Aux. burner
43	2299647	Gas pipe - right semi-rapid burner
44	2299107	Mounting brackets (set of 4)
45	2299507	Connection wire
46	2299513	Electrical terminal block
ULPG Kit	2299632	Gas injector Ø 0.97 - wok burner
ULPG Kit	2299629	Gas injector Ø 0.53 - aux. burner
ULPG Kit	2299630	Gas injector Ø 0.68 - semi-rapid burner
ULPG Kit	2299638	Test point - gas pressure
	2299637	Gas regulator - Laite

# WIRING DIAGRAM





---

## CONTACT

### Vitale Customer Care

 1300 798 260

 [vitale@productapprovals.com.au](mailto:vitale@productapprovals.com.au)

 PO Box 7785, Baulkham Hills, BC NSW 1755

Version 1.4

---

We are committed to ongoing research and development. Every effort has been made to ensure all information in the service manual is correct at time of going to print. Dimensions should be used as a reference only and actual dimensions should be taken from the physical product.