

# SERVICE

M A N U A L

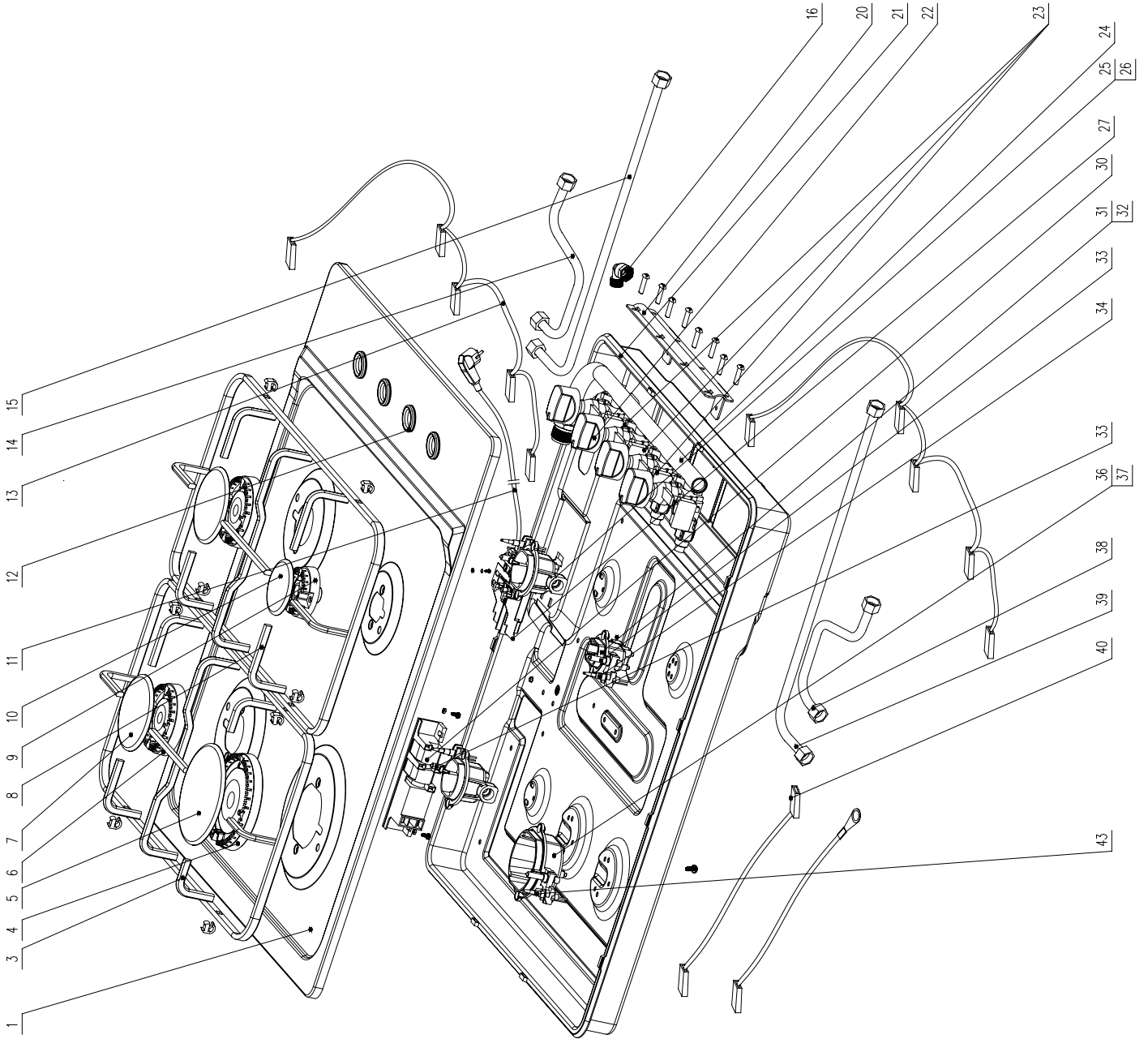
GAS HOB

VGLX60A1

## Disclaimer

The information contained in this Service Manual is intended for licensed service personnel only.

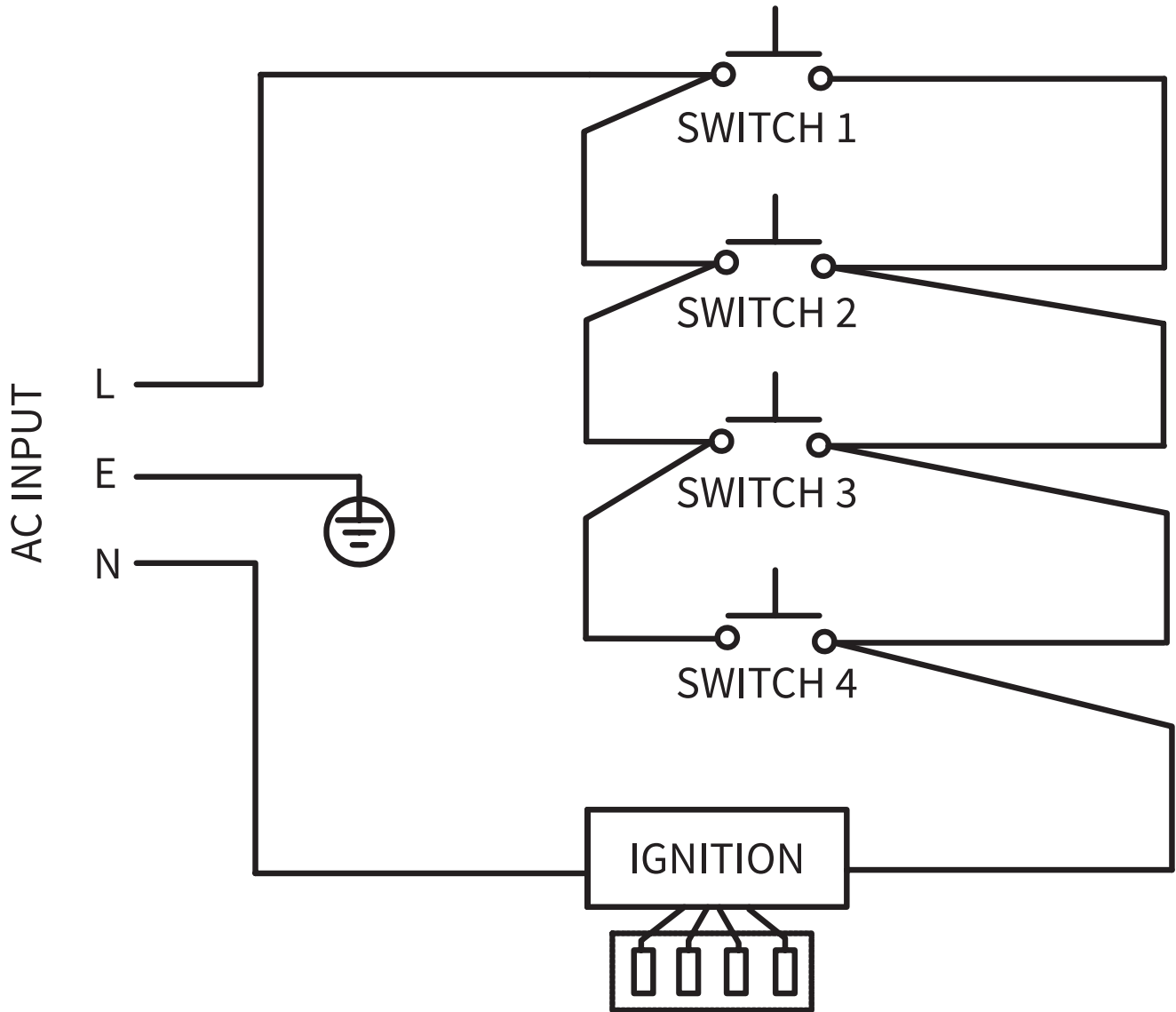
# EXPLODED VIEW



# PARTS LIST

Item	ISS Code	ISS DESCRIPTION
1	2211100	Top Plate - Stainless Steel (Vitale)
2	2299900	Rubber foot (enamelled trivets)
3	2299200	Left trivet - enamelled
4	2299309	Rapid Burner diffuser
5	2299308	Rapid Burner cap
6	2299306	Semi-rapid burner diffuser
7	2299305	Semi-rapid burner cap
8	2299201	Right trivet - enamelled
9	2299303	Aux. burner difuser
10	2299302	Aux. burner cap
11	2299512	Flexible power cord - AUS 10A
12	2299402	Gasket - top plate knob cutouts
13	2299510	Wire for microswitches - short
14	2299647	Gas pipe - right semi-rapid burner
15	2299648	Gas pipe - left semi-rapid burner
24	2299639	Elbow - gas fitting
20	2299108	Bracket for gas valves
22	2299401	Knob - Silver
23	2299640	Gas valve, FFD - aux. burner
23	2299641	Gas valve, FFD - semi-rapid burner
23	2299642	Gas valve, FFD - rapid burner
24	2299644	Gas inlet manifold
25	2299612	Gas injector Ø 1.12 - semi-rapid burner
26	2299307	Semi-rapid burner cup (base)
27	2299513	Electrical terminal block
30	2299511	Ignition generator - 4 points
31	2299611	Gas injector Ø 0.83 - aux. burner
32	2299304	Aux. burner cup (base)
33	2299518	Ignition candle - rapid, aux. burners & rear left semi rapid burner
	2299517	ignition candle - semi-rapid burner (Rear right only - short cable)
34	2299514	Thermocouple FFD - aux./rapid burners
36	2299613	Gas injector Ø 1.50 - rapid burner
37	2299310	Rapid burner cup (base)
38	2299646	Gas pipe - Aux. burner
39	2299649	Gas pipe - Rapid burner
40	2299507	Connection wire
43	2299515	Thermocouple FFD - semi-rapid burner
ULPG Kit	2299630	Gas injector Ø 0.68 - semi-rapid burner
ULPG Kit	2299631	Gas injector Ø 0.88 - rapid burner
ULPG Kit	2299629	Gas injector Ø 0.53 - aux. burner
ULPG Kit	2299638	Test point - gas pressure
	2299637	Gas regulator - Laite
	2299107	Mounting brackets (set of 4)




# WIRING DIAGRAM



---

## CONTACT

### Vitale Customer Care

-  1300 798 260
-  [vitale@productapprovals.com.au](mailto:vitale@productapprovals.com.au)
-  PO Box 7785, Baulkham Hills, BC NSW 1755

Version 1.4

---

We are committed to ongoing research and development. Every effort has been made to ensure all information in the service manual is correct at time of going to print. Dimensions should be used as a reference only and actual dimensions should be taken from the physical product.