



# **SERVICE MANUAL**

## **520 & 750 // UNDERMOUNT HOOD**

### **TUH52X, TUH75X**

### **TUH52X-L, TUH75X-L**

DISCLAIMER // THE INFORMATION CONTAINED IN THIS SERVICE MANUAL IS INTENDED FOR LICENSED PERSONNEL ONLY. PLEASE CONTACT ARISIT FOR FUTHER INFORMATION [AUST] 1300 762 219 [NEW ZEALAND] 09 306 1020

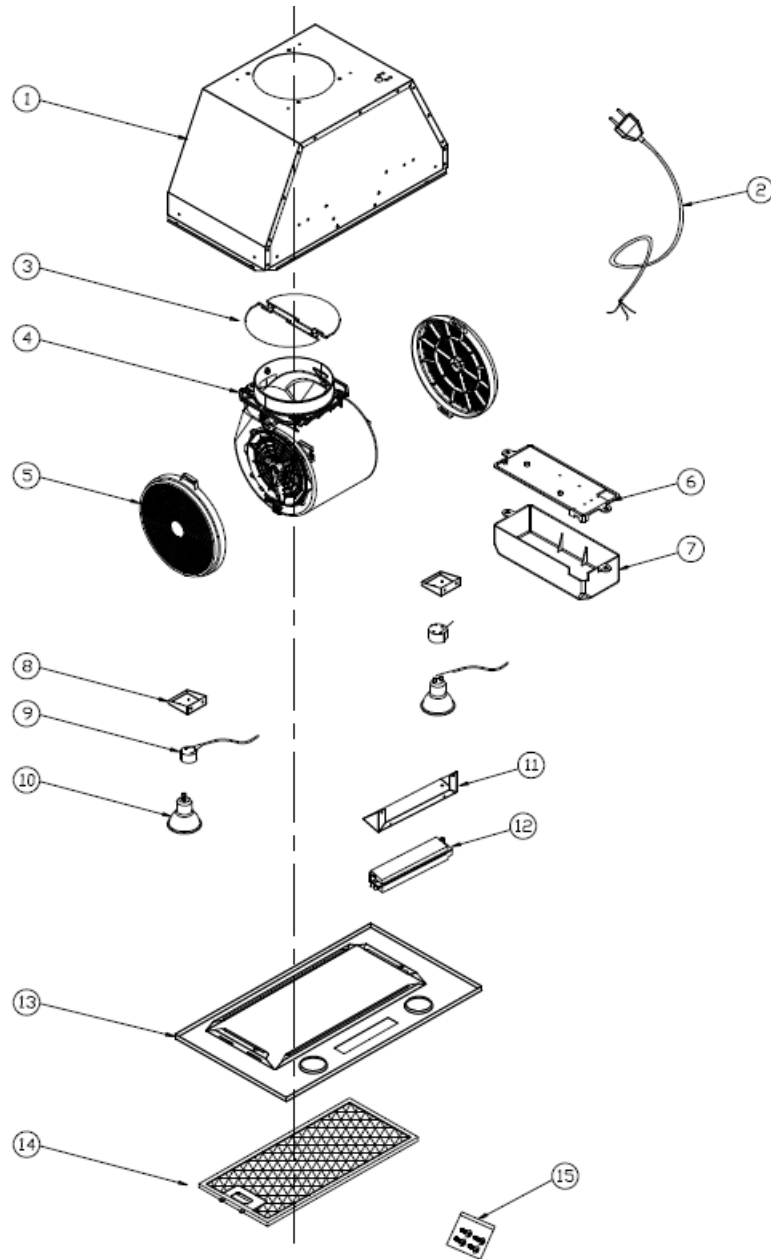


Version 4.1



[www.tisira.com](http://www.tisira.com)

# Exploded View

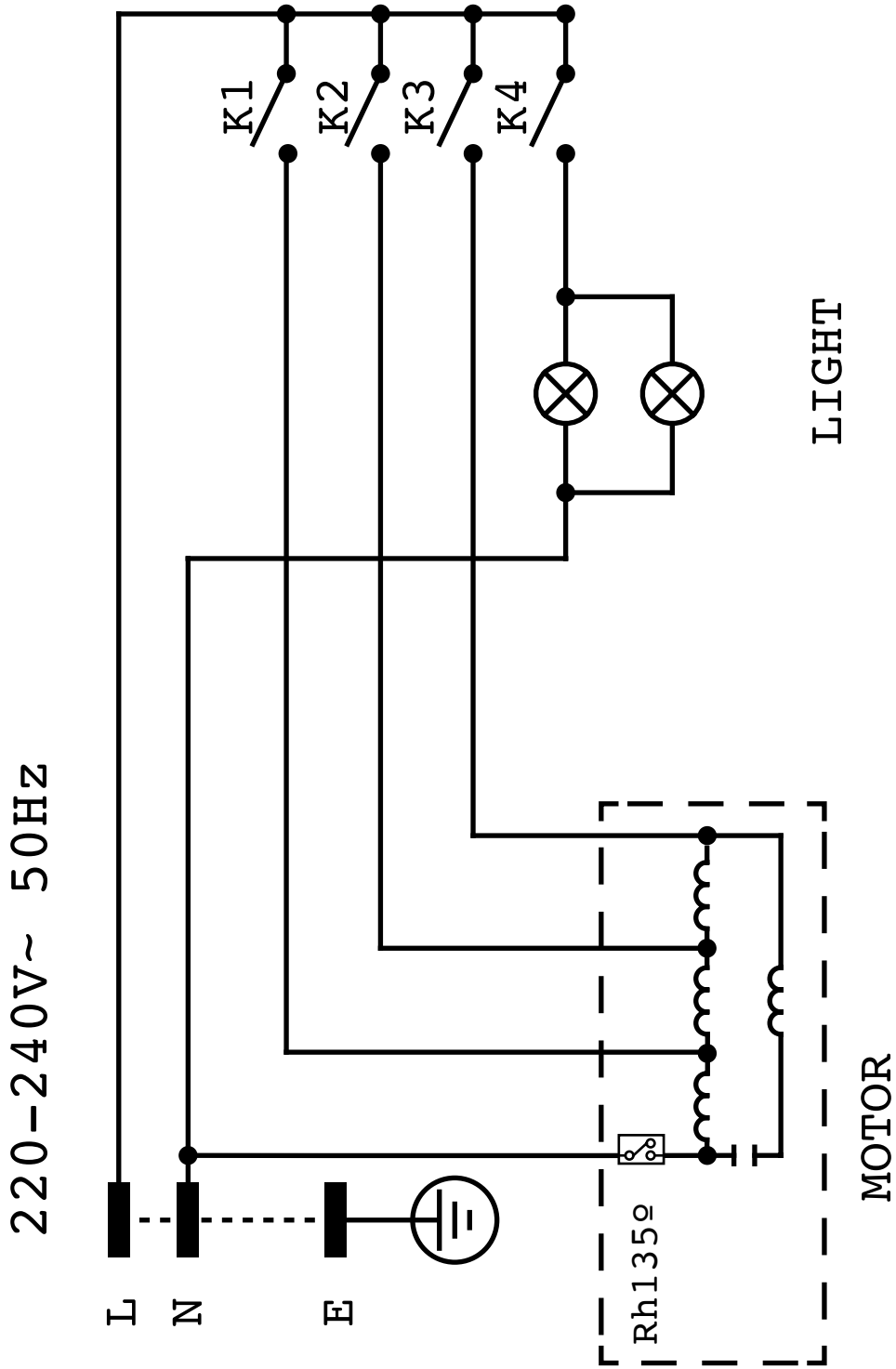


## Parts List

ID	PART NUMBER	DESCRIPTION
2	2306011.501	Power Cord with 10A Plug
3	2306011.401	Non-Return Flaps
4	2306011.002	Motor Assembly
6-7	2306011.503	PCB Box
9	2306011.506	Lamp Socket
10	2306011.507	40W Halogen Light GU10
	2399502	3W LED Light GU10-3E
12	2306011.505	Slide Switch (520mm)
	2399516	Slide Switch (750mm)
13	2306011.101	Panel (520mm)
	2306012.101	Panel (750mm)
14	2306011.001	520mm Aluminium Panel Filter (1) - Rectangular - Single
	2306012.001	750mm Aluminium Panel Filter (1) - Rectangular - Single
*5	2306011.005	Carbon Filter (2) - Circular - Set of 2

\*Optional

# Wiring Diagram





## CONTACT DETAILS

AUSTRALIA  
ARISIT PTY LIMITED

40-44 Mark Anthony Drive,  
Dandenong South, VIC 3175,  
Australia

P // 1300 762 219  
F // 03 9768 0838  
consumer.care@arisit.com

NEW ZEALAND  
ARISIT PTY LIMITED

PO Box 68-140  
Newton, Auckland 1145,  
New Zealand

P // 09 306 1020  
F // 09 302 0077  
sales@aristonappliances.co.nz

Tisira is committed to ongoing research and development. Every effort has been made to ensure all information in this service manual is correct at time of going to print. Dimensions should be used as a reference only and actual dimensions should be taken from the physical product only.

Manufacturer reserves the right to change specifications without notice.

 **tisira**



[www.tisira.com](http://www.tisira.com)