



# SERVICE MANUAL

## 600 // SLIDE-OUT HOOD

### TSH60X & TSH60X-L

DISCLAIMER // THE INFORMATION CONTAINED IN THIS SERVICE MANUAL IS INTENDED FOR LICENSED PERSONNEL ONLY. PLEASE CONTACT ARISIT FOR FUTHER INFORMATION [AUST] 1300 762 219 [NEW ZEALAND] 09 306 1020

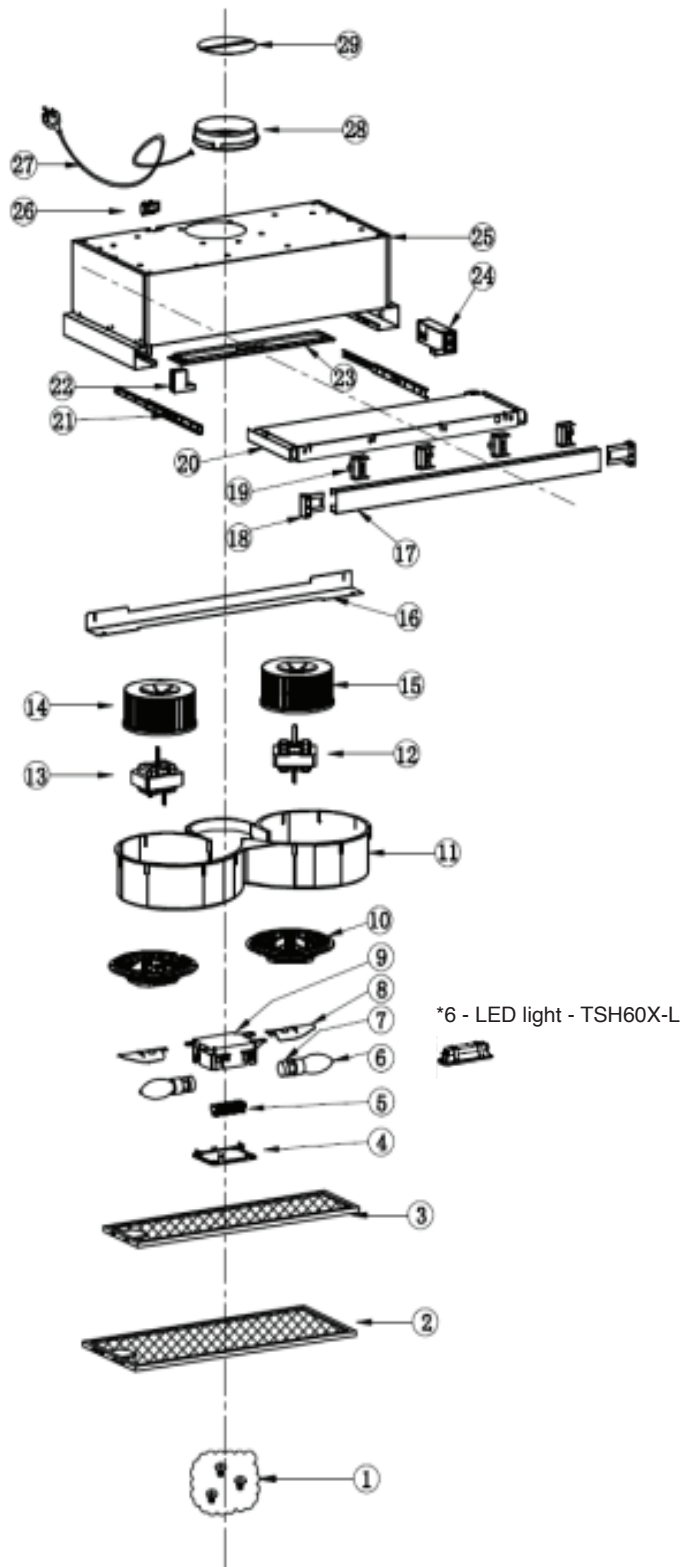


Version 4.3



[www.tisira.com](http://www.tisira.com)

# Exploded View



## Parts List

ID	PART NUMBER	DESCRIPTION
2	2306010.001	600mm Outer Aluminium Filter
3	2306010.002	600mm Inner Aluminium Filter
5 <sup>(i)</sup>	2399523 <sup>(i)</sup>	<sup>(i)</sup> PCB Connection
6	2306010.501	Halogen Lamp E14
6**	2399501	LED Lamp (rectangular) - 2.5W
6***	2399515	LED Lamp with connector (rectangular) - 2.5W
6 <sup>(i)</sup>	2399526 <sup>(i)</sup>	<sup>(i)</sup> LED Light with connector (rectangular) (LSD-F2) - 2W
7	2306010.502	Lamp Holder
8	2306010.101	Reflector
10	2306010.401	Motor Cover
12	2306010.509	Motor (right) - 100W
13	2306010.510	Motor (left) - 100W
14	2306010.402	Impeller (left)
15	2306010.403	Impeller (right)
16	2306010.102	Filler
17-19	2306010.003 2306010.006	Front Rail 40mm Front Rail 80mm
18	2399407	Side Cap for Front Rail (40mm)
18	2399408	Side Cap for Front Rail (80mm)
19	2399405	Black Plastic Connect Clip (40mm)
19	2399406	Black Plastic Connect Clip (80mm)
21	2306010.004	Runner
22	2306010.404	Left Panel Sealed Cap
23	2306010.405	Lamp Diffuser
24	2306010.511 2399538 <sup>(i)</sup>	Rocking Switch <sup>(i)</sup> Rocking Switch with connector
26	2306010.406	Power Cord Clamp
27	2306010.512	Flexible Power Cord
28	2306010.407	Outlet Adaptor
29	2306010.408	Non-Return Flap
*	2306011.005	Carbon Filter (2) - Circular - Set of 2

\*Optional

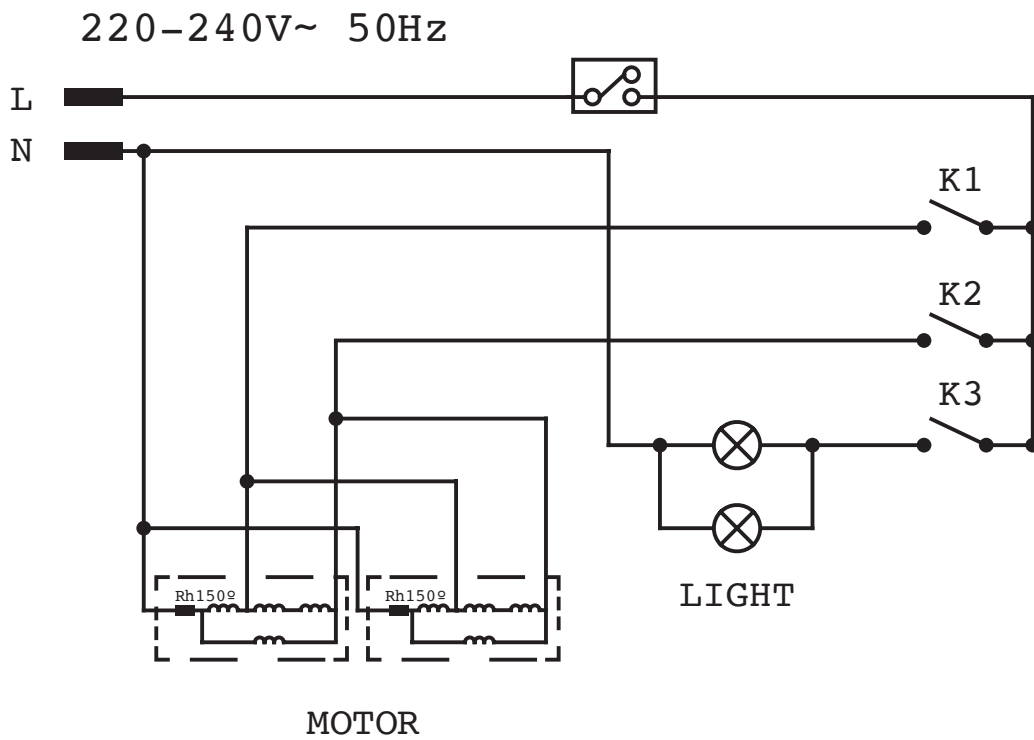
\*\* LED light suitable for TSH60X-L

\*\*\* LED light with connector suitable for TSH60X-L from serial numbers **AT-07293-XXXXX**

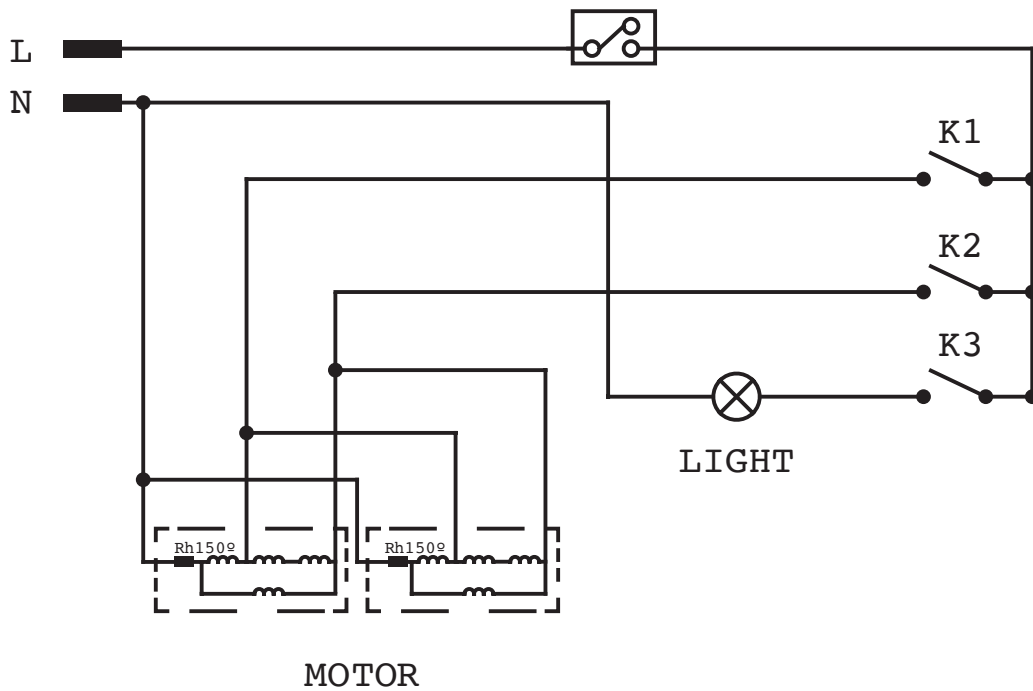
<sup>(i)</sup> **NOTE:** PCB connection board has been adopted from Serial Number **AT-09622-00YYY**  
PCB Connection (2399523) - not existent in the previous generation.  
Rocking Switch + Cord and Connector (2306010.511 > 2399538 <sup>(i)</sup>)

LED Lamp LSD-F2 2W (2399515 < > 2399526 <sup>(i)</sup>) - LED lamps are interchangeable

# TSH60X



# TSH60X-L





## CONTACT DETAILS

AUSTRALIA  
ARISIT PTY LIMITED

40-44 Mark Anthony Drive,  
Dandenong South, VIC 3175,  
Australia

P // 1300 762 219  
F // 03 9768 0838  
consumer.care@arisit.com

NEW ZEALAND  
ARISIT PTY LIMITED

PO Box 68-140  
Newton, Auckland 1145,  
New Zealand

P // 09 306 1020  
F // 09 302 0077  
sales@aristonappliances.co.nz

Tisira is committed to ongoing research and development. Every effort has been made to ensure all information in this service manual is correct at time of going to print. Dimensions should be used as a reference only and actual dimensions should be taken from the physical product only.

Manufacturer reserves the right to change specifications without notice.

 **tisira**



[www.tisira.com](http://www.tisira.com)