



SERVICE MANUAL

600 // CANOPY RANGEHOOD

TRH6-1 & TRH6-1-L

TRH9-1 & TRH9-1-L

DISCLAIMER // THE INFORMATION CONTAINED IN THIS SERVICE MANUAL IS INTENDED FOR LICENSED PERSONNEL ONLY. PLEASE CONTACT ARISIT FOR FUTHER INFORMATION [AUST] 1300 762 219 [NEW ZEALAND] 09 306 1020

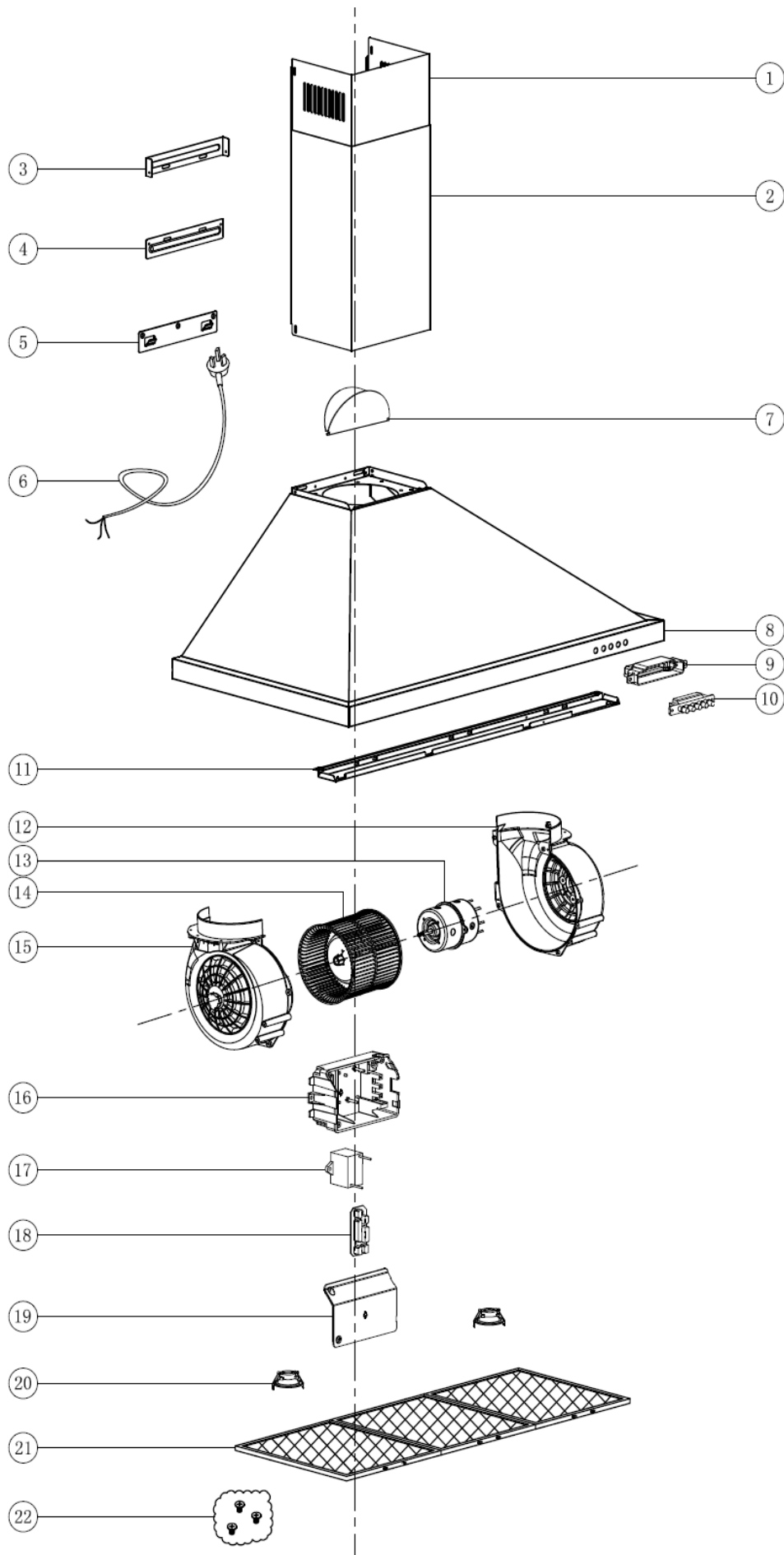


Version 4.3



www.tisira.com

Exploded View



Parts List

ID	PART NUMBER	DESCRIPTION
1	2199135	Top Chimney Cover
2	2199136	Bottom Chimney Cover
3	2199132	Top Chimney Bracket
4	2199131	Bottom Chimney Bracket
5	2199130	Wall Mount Bracket
6	2199109	Plug & Cable
7	2399909	Non-return flaps - Outlet 150mm
9-10	2199112	5 Position Push Button (60cm)
	2399510	5 Position Push Button (90cm)
	2399530***	***5 Push Buttons Assembly + Cord and Connector (AYD-008) (60-90cm)
12-15	2199115	Motor Assembly
	2399513 ^(I)	Motor Assembly - (Injected plastic casing)
	2399573***	***Motor Assembly C9 - 190W + connector
17	2199128	Capacitor
	2399531***	***Capacitor
18	2199127 ^(I)	PCB
	2399525***	***PCB Connection
20	2199125	Light - 20W GA Halogen - Assembly
	2199126	Halogen G4 Bi-Pin 20W
	2399503	LED Lamp - (round) - 2W
	2399540***	***LED Lamp LSD-B2 - (round) - 2W
21	2199101	Aluminium Panel Filter (1) - Squared - Single (60cm models) 2/unit
	2199103	Aluminium Panel Filter (1) - Squared - Single (90cm models) 3/unit
*	2199105	Carbon Filter (2) - Circular - Set of 2
*	2306011.005 ^(II)	Carbon Filter (2) - Circular - Ser of 2
*	2199137	Extension Top Chimney (1000mm)
*	2199138	Extension Bottom Chimney (1000mm)

* Optional

^(I) Not applicable for TRH6-1-L and TRH9-1-L (LED)

^(II) Suitable for TRH6-1-L and TRH9-1-L (LED)

*****NOTE:** New Components were adopted from Product Serial Number **AT-09621-00XXX**.

Capacitor (2399128 > 2399531***)

Motor Assembly (2399513 > 2399573***)

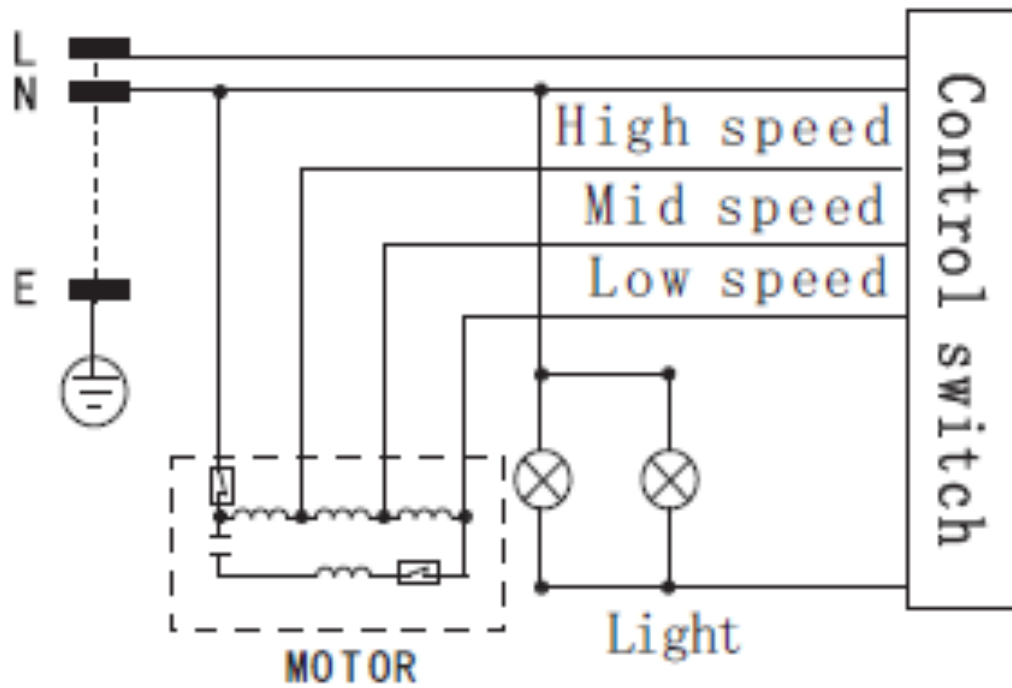
PCB Connection (2399525***) - not existent in the previous generation.

5 Position Push Button + Cord and Connector (AYD-008) (2199112 / 2399510 > 2399530***)

LED Lamp LSD-B2 (2399503 < > 2399540***) - LED lamps are interchangeable

Wiring Diagram

AC 220-240V /50Hz





CONTACT DETAILS

AUSTRALIA
ARISIT PTY LIMITED

40-44 Mark Anthony Drive,
Dandenong South, VIC 3175,
Australia

P // 1300 762 219
F // 03 9768 0838
consumer.care@arisit.com

NEW ZEALAND
ARISIT PTY LIMITED

PO Box 68-140
Newton, Auckland 1145,
New Zealand

P // 09 306 1020
F // 09 302 0077
sales@aristonappliances.co.nz

Tisira is committed to ongoing research and development. Every effort has been made to ensure all information in this service manual is correct at time of going to print. Dimensions should be used as a reference only and actual dimensions should be taken from the physical product only.

Manufacturer reserves the right to change specifications without notice.

 **tisira**



www.tisira.com