



SERVICE MANUAL

600 // 4 FUNCTION OVEN TOT644E

DISCLAIMER // THE INFORMATION CONTAINED IN THIS SERVICE MANUAL IS INTENDED FOR LICENSED PERSONNEL ONLY. PLEASE CONTACT ARISIT FOR FUTHER INFORMATION.
[AUSTRALIA] 1300 762 219 [NEW ZEALAND] 09 306 1020



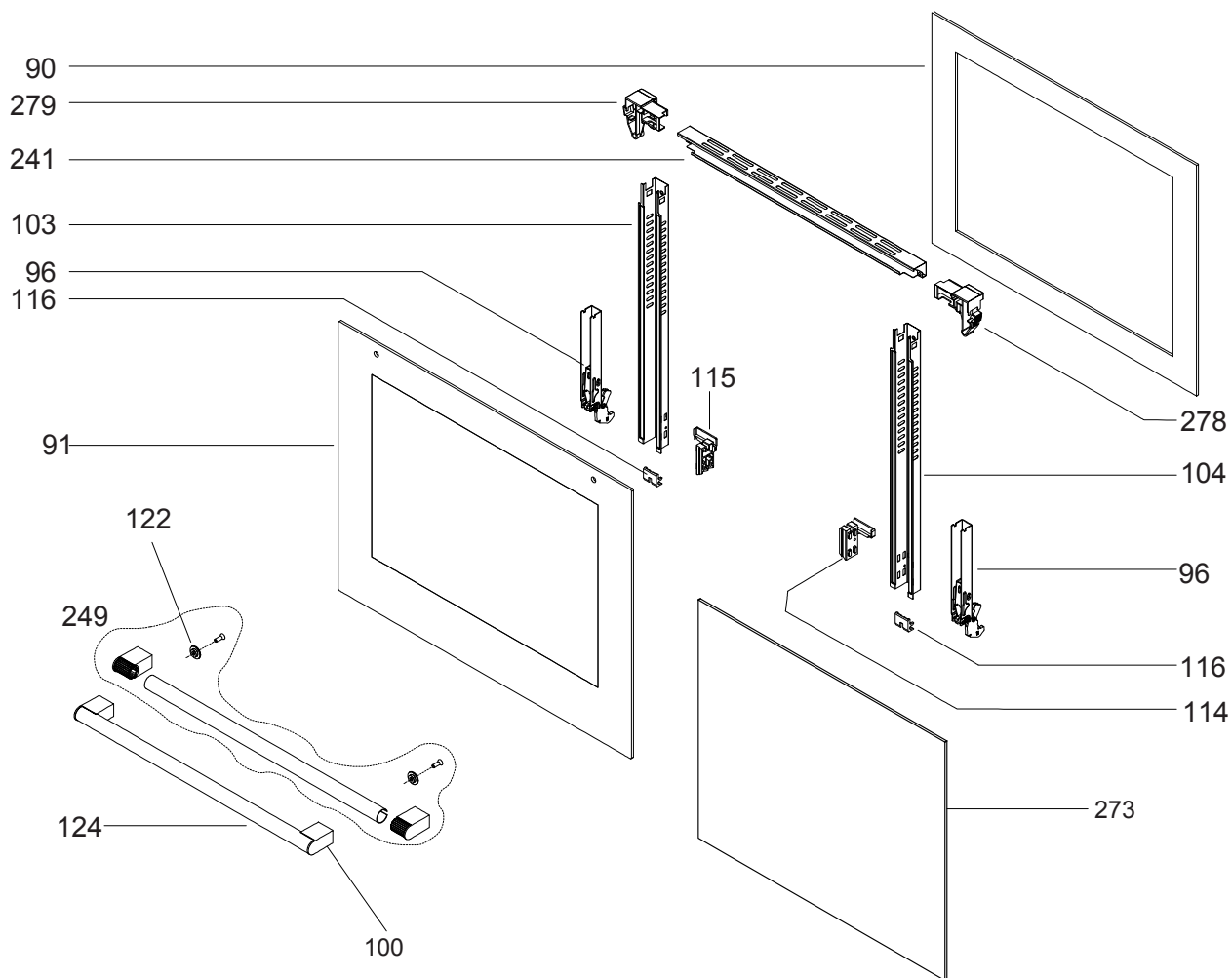
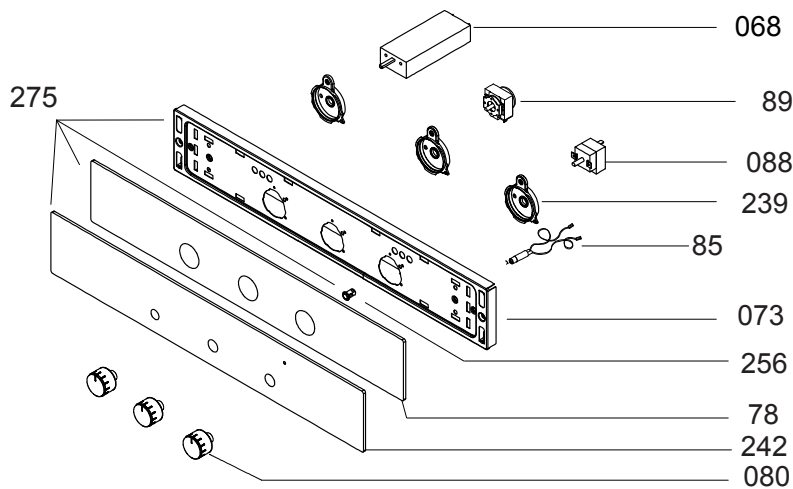
tisira

Version 1.2

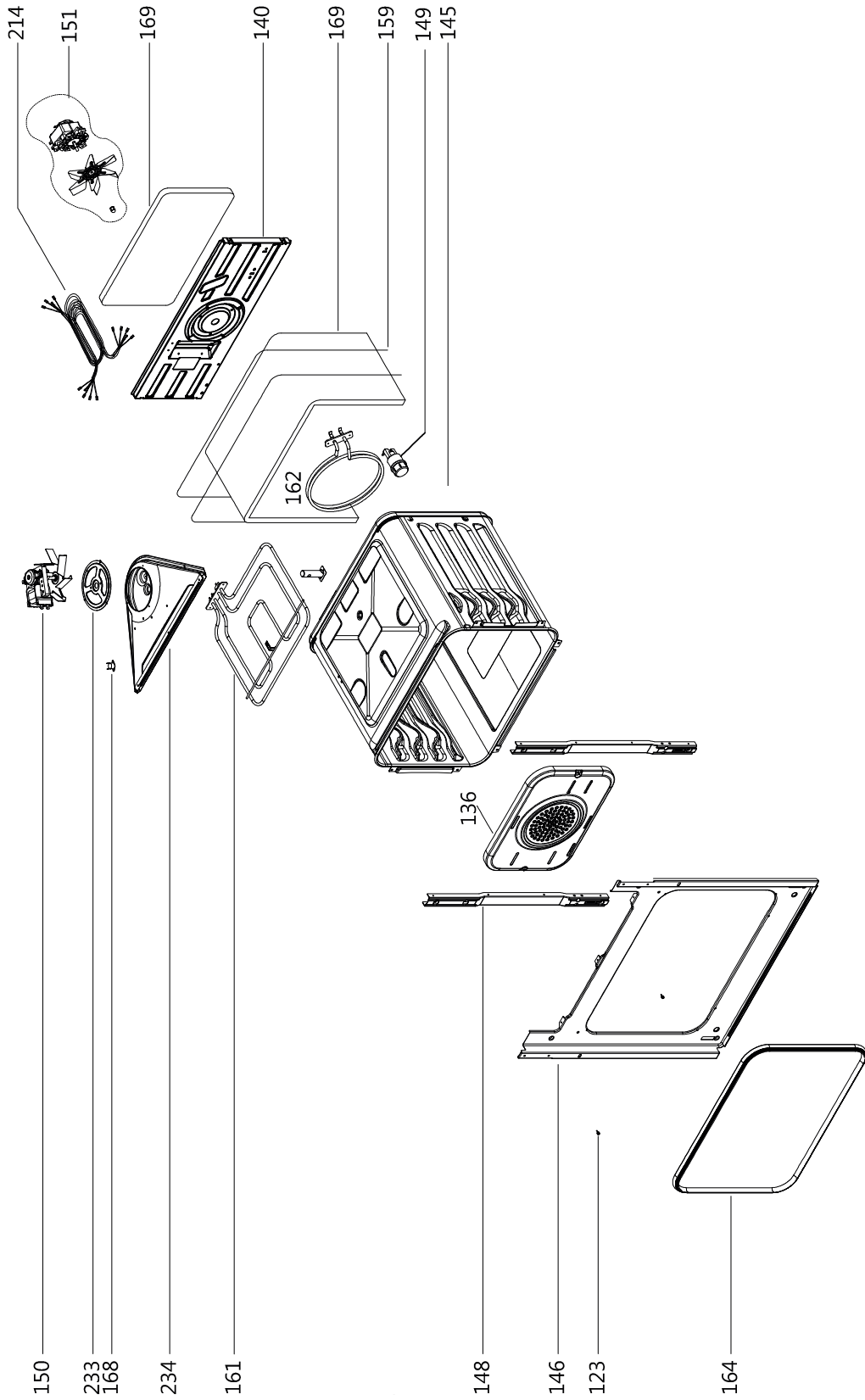


www.tisira.com

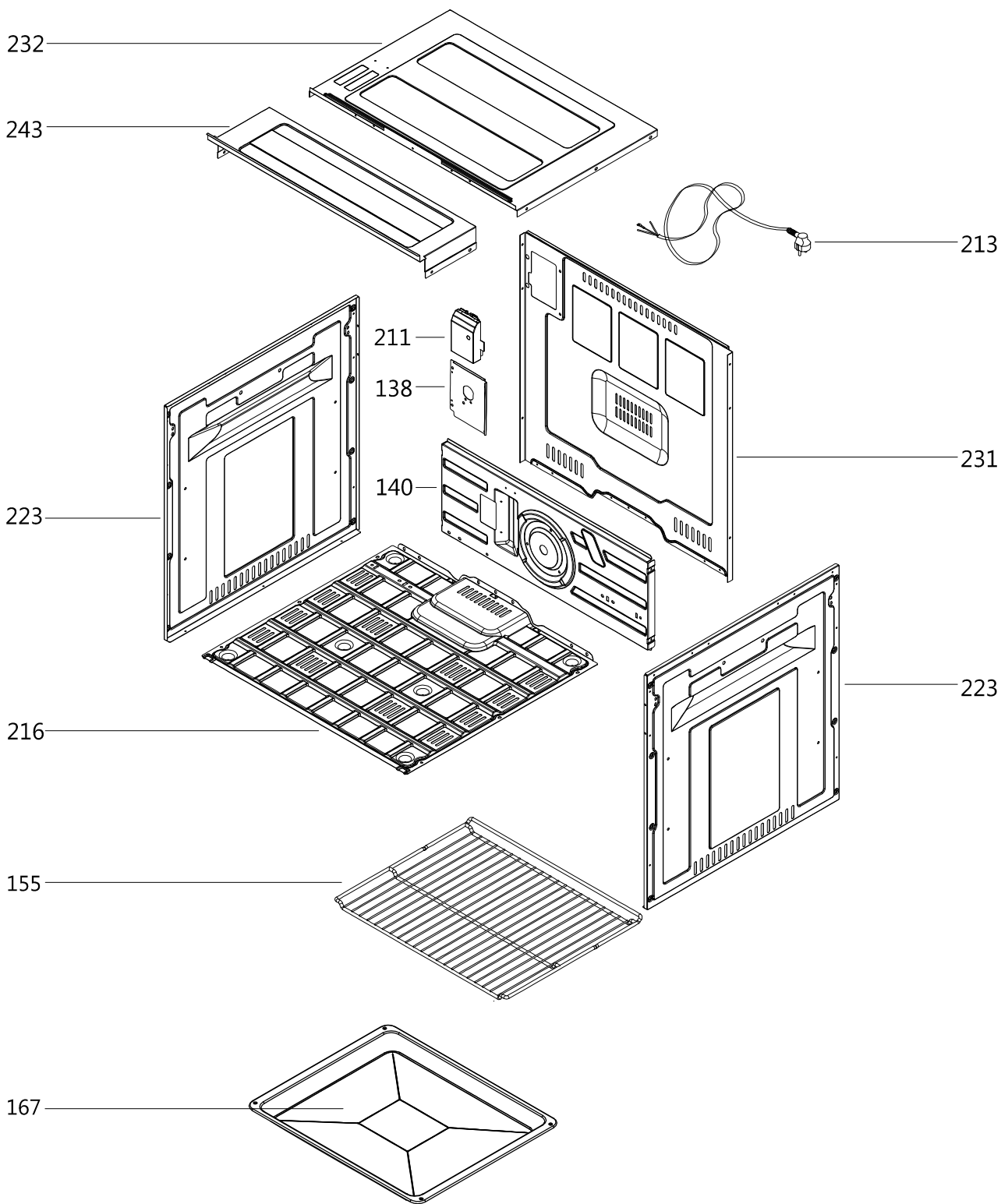
Exploded View



Exploded View



Exploded View

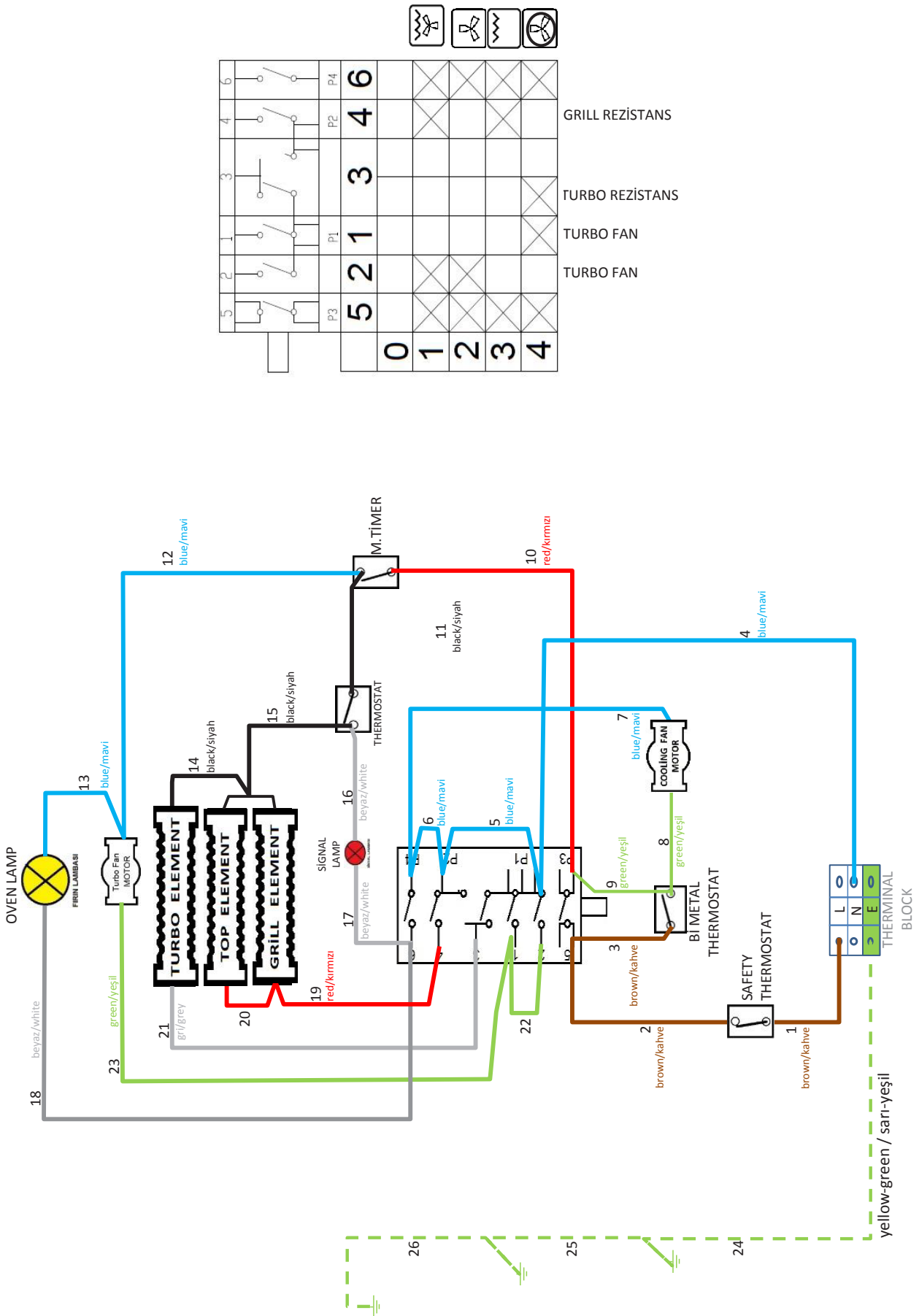


Parts List

ID	Part Number	Factory Code	Description
*	5106900	TBC	Assemble Door with Handle and Hinges - TISIRA
68	5191512	H35-30-200-052	Selector Switch
80	5191401	H20-10-160-032	Knob
85	5191503	H35-30-100-001	Control Panel Led
88	5191508	H35-30-360-001	Thermostat Temperature Control 50-250
89	5191513	H35-30-380-006	Mechanical Timer
90	5191802	H15-20-260-023	Door Inner Glass
96	5191201	H25-30-120-012	Hinge
100	5191403	H20-25-280-017	Door Handle Attachment
114	5191409	H20-25-320-126	Inner Glass Bottom Plastic Right
115	5191408	H20-25-320-125	Inner Glass Bottom Plastic Left
116	5191407	H20-25-320-082	Door Hinge Bottom Clip
122	5191906	H70-10-180-010	Handle Silicone Washer
124	5191202	YFT60-66BK-051-012	Door Handle
149	5191505	H35-30-280-001 H35-30-280-020	Globe And Holder
150	5191507	H35-30-340-020	Cooling Fan
151	5191506	H35-30-340-003	Oven Fan
155	5191215	H25-10-160-014	Wire Rack
161	5191502	H35-25-160-019	Top Element
162	5191500	H35-25-140-004	Circular Element
164	5191905	H70-10-130-006	Door Seal
167	5191302	YORTK-0700-020-001	Drip Tray
168	5191510	H35-30-360-018	Safety Device (Thermostat 120Degc)
213	5191514	H35-10-140-031	Power Plug 10A + Cord
240	5191402	H20-10-200-040	Control Panel Knob Case
241	5191410	YFA60-41SP-030-038	Door Glass Top Frame
249	5191901	TBC	Complete Door Handle
255	5191509	H35-30-360-017	Safety Device (Thermostat 55Degc)
256	5191404	H20-25-320-029	Bezel
273	5191801	H15-20-260-020	Door Middle Glass
275	5191904	YFA60-17IM-041-105	Complete Control Panel
278	5191405	H20-25-320-080	Door Glass Clip Right
279	5191406	H20-25-320-081	Door Glass Clip Left
317	5191200	H25-10-160-007	Drip Tray Insert



Wiring Diagram



CONTACT DETAILS

AUSTRALIA

ARISIT PTY LIMITED

40-44 Mark Anthony Drive,
Dandenong South, VIC 3175,
Australia

P // 1300 762 219

F // 03 9768 0838

consumer.care@arisit.com

NEW ZEALAND

ARISIT PTY LIMITED

PO Box 68-140
Newton, Auckland 1145,
New Zealand

P // 09 306 1020

F // 09 302 0077

sales@aristonappliances.co.nz

Tisira is committed to ongoing research and development. Every effort has been made to ensure all information in this service manual is correct at time of going to print. Dimensions should be used as a reference only and actual dimensions should be taken from the physical product only.

Manufacturer reserves the right to change specifications without notice.



www.tisira.com