



SERVICE MANUAL

600 // INDUCTION HOB - TOUCH

TIT60

DISCLAIMER // THE INFORMATION CONTAINED IN THIS SERVICE MANUAL IS INTENDED FOR LICENSED PERSONNEL ONLY. PLEASE CONTACT ARISIT FOR FUTHER INFORMATION [AUST] 1300 762 219 [NEW ZEALAND] 09 306 1020

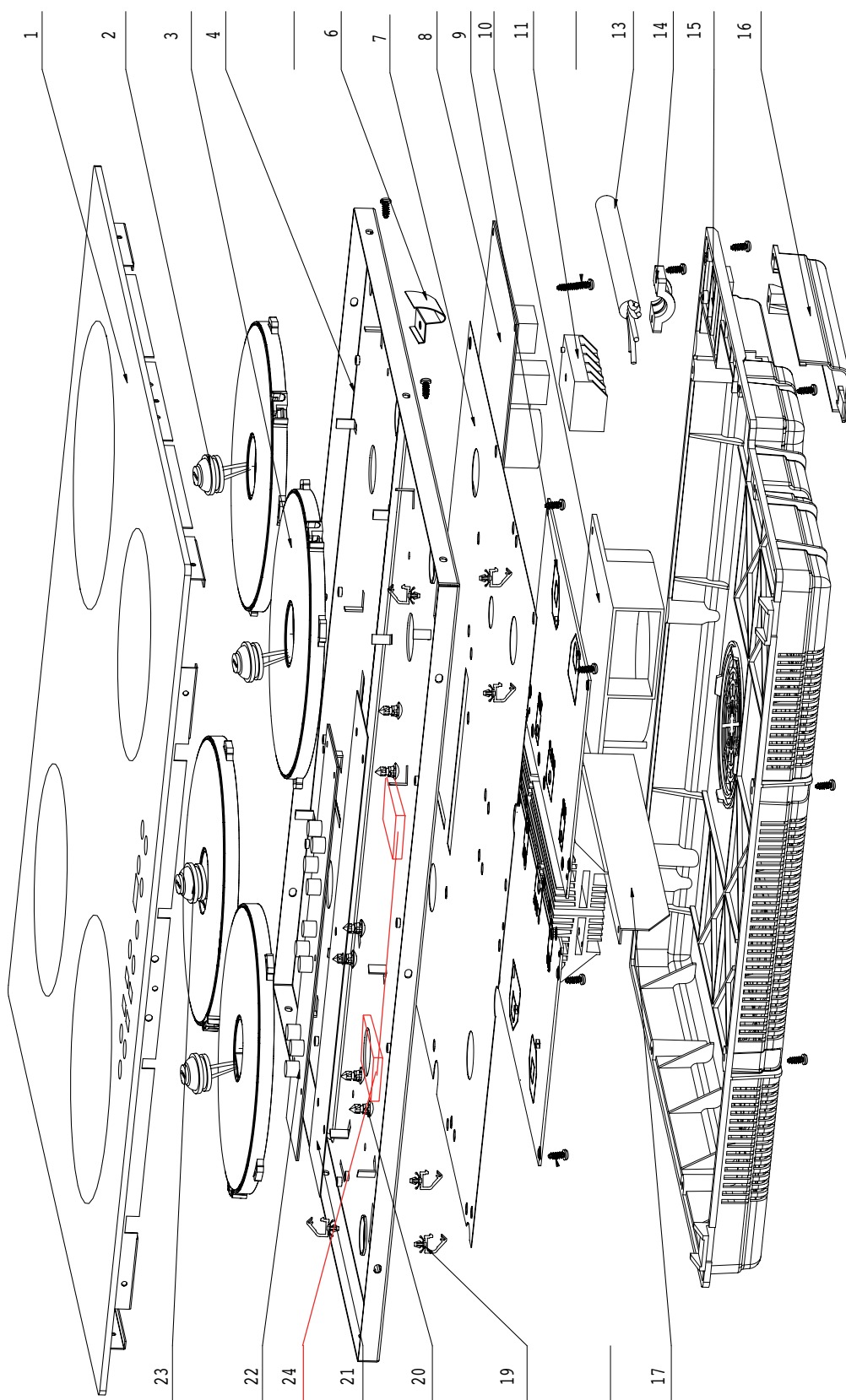


Version 3.0



www.tisira.com

Exploded View

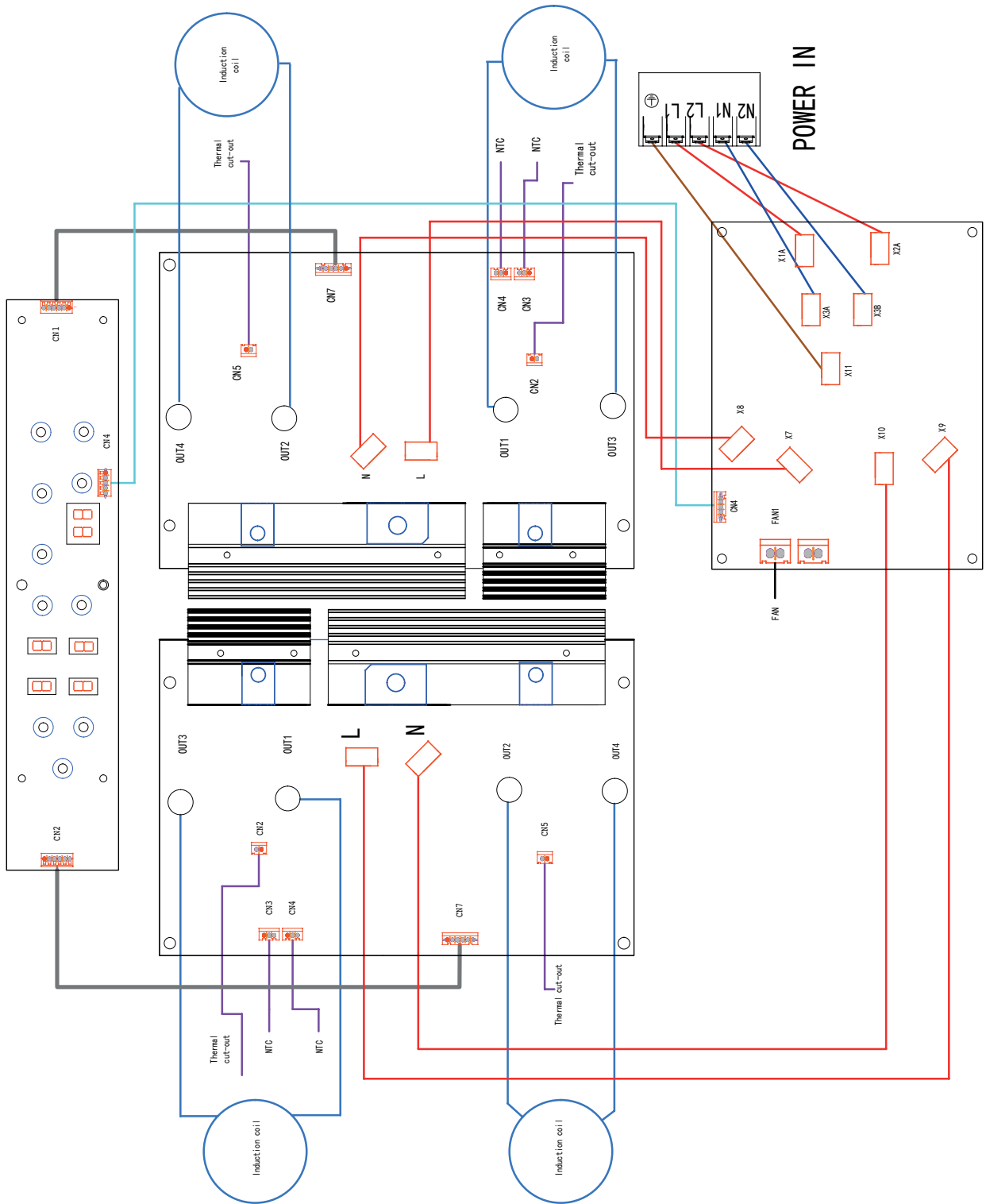


CODE	QTY	COLOR	
303206800036	2	RED/450mm	
303206800041	2	RED/150mm	
303206800159	2	RED	
303206800157	2	BLUE	
303206800158	1	YELLOWGREEN	

Parts List

ID	PART NUMBER	DESCRIPTION
1	542300000060	Glass Assembly
2	541600200007	Ceramic Plate Temperature Sensor
3	542200000009	Hotplate 1500/2000W 220-240V
4	541400300003	Radiator Board
6	303207800275	Bracket
7	303207103156	Insulating Panel
8	303203101365	Power Accessory
9	303203101364	Power Board
10	303208003019	Cooling Fan
11	303207801038	Junction Box
13	303203601114	Power Cord
14	303207300213	Fixed Board
15	303207300216	Base
16	303207300214	Power Cord Cover Case
17	303207300215	Insulation Windshield
19	303207300212	Wire Clamp
20	303207300211	Knighthead
21	303207103155	Insulating Panel
22	303203101374	Display Board
23	541600200008	Ceramic Plate Temperature Sensor
24	541700700002	Supporting Foam

Wiring Diagram





CONTACT DETAILS

AUSTRALIA

ARISIT PTY LIMITED

40-44 Mark Anthony Drive,
Dandenong South, VIC 3175,
Australia

P // 1300 762 219

F // 03 9768 0838

consumer.care@arisit.com

NEW ZEALAND

ARISIT PTY LIMITED

PO Box 68-140
Newton, Auckland 1145,
New Zealand

P // 09 306 1020

F // 09 302 0077

sales@aristonappliances.co.nz

Tisira is committed to ongoing research and development. Every effort has been made to ensure all information in this service manual is correct at time of going to print. Dimensions should be used as a reference only and actual dimensions should be taken from the physical product only.

Manufacturer reserves the right to change specifications without notice.

 **tisira**



www.tisira.com