



# SERVICE MANUAL

## 900 // GLASS GAS HOB TGWF92G

DISCLAIMER // THE INFORMATION CONTAINED IN THIS SERVICE MANUAL IS INTENDED FOR LICENSED PERSONNEL ONLY. PLEASE CONTACT ARISIT FOR FUTHER INFORMATION.  
[AUSTRALIA] 1300 762 219 [NEW ZEALAND] 09 306 1020

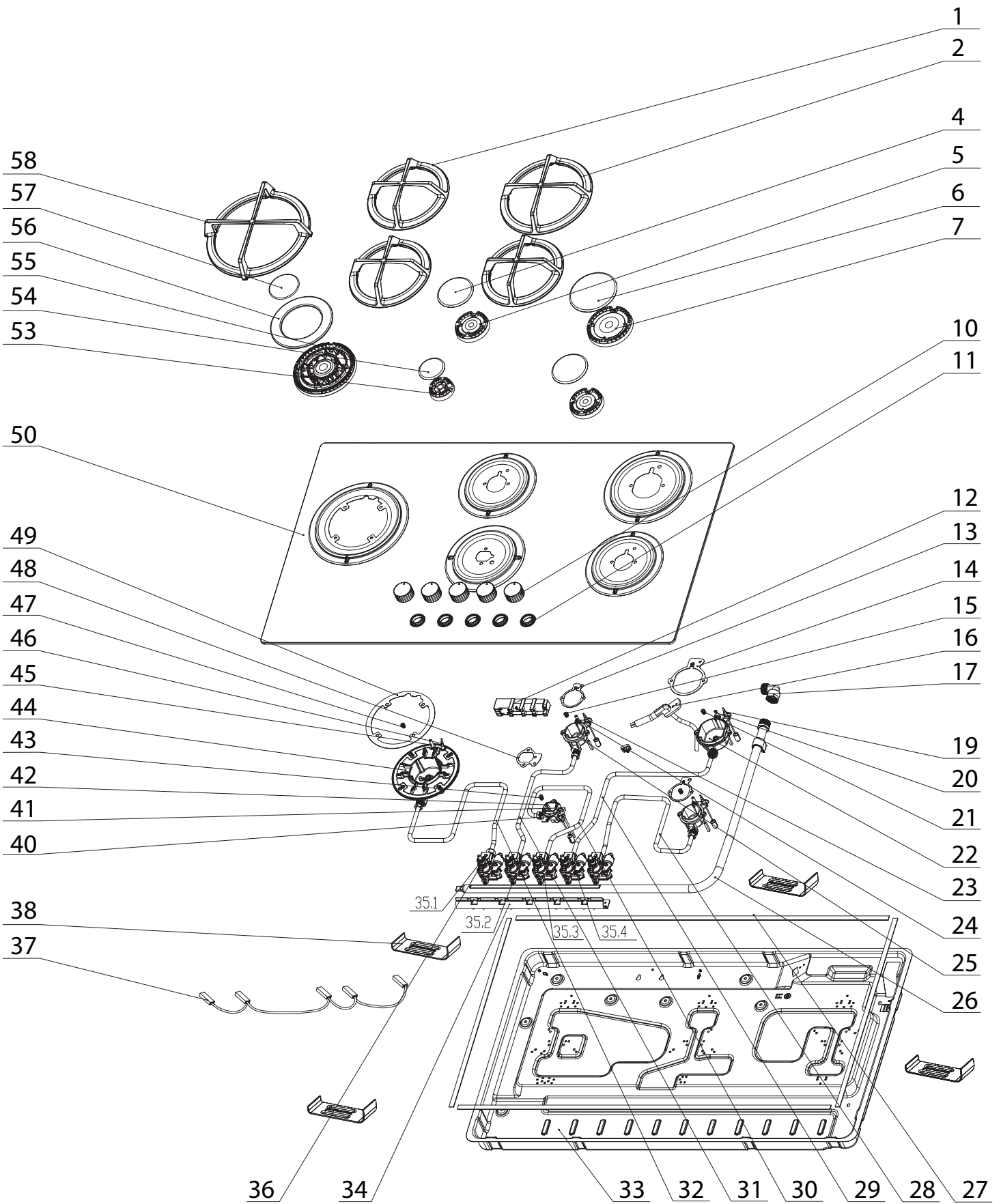


Version 1.0



[www.tisira.com](http://www.tisira.com)

# Exploded View



## Parts List

ID	Part Number	Description
1	2299333	Auxiliary and semi-rapid trivet
2	2299334	Rapid Trivet
4	2299350	Semi-rapid burner cap
5	2299354	Semi-rapid burner diffuser
6	2299353	Rapid burner cap
7	2299357	Rapid burner diffuser
10	2299411	Black knob - SS cap
11	2299410	Silicone gasket - knob cutouts
12	2299584	Ignition generator - 5 points
13	2299119	Bottom Cup Waterproof Ring semi-rapid
14	2299118	Bottom Cup Waterproof Ring rapid
15	2299651	Gas injector Ø1.15 - semi-rapid burner
16	2299581	Flexible power cord + 10APlug
17	2299639	Elbow - gas fitting
19,23,40	2299524	Thermocouple FFD - rapid, semi-rapid and aux. burners (650mm)
20,24,41	2299527	Ignition candle - rapid, semi-rapid & aux. burners (850mm)
21	2299656	Gas injector - Ø1.50 - rapid burner
22	2299361	Rapid burner cup (base)
25	2299358	Semi-rapid burner cup
27	2299913	Sealing Sponge
35-1	2299655	Gas valve, FFD - wok burner
35-2	2299662	Gas valve, FFD - rapid burner
35-3	2299654	Gas valve, FFD - semi-rapid burner
35-4	2299653	Gas valve, FFD - auxiliary burner
36	2299587	Microswitches wiring
37	2299348	Wire for microswitches
38	2299107	Mounting bracket
42	2299360	Aux. burner cup
43	2299650	Gas injector Ø0.58 - aux burner
44	2299359	Wok burner cup
45	2299519	Ignition candle (Wok) - 600mm
46	2299516	Thermocouple (Wok) - 500mm
47	2299652	Gas injector Ø1.72 - wok burner
48	2299120	Bottom Cup Waterproof Ring aux.
49	2299117	Bottom Cup Waterproof Ring wok

## Parts List

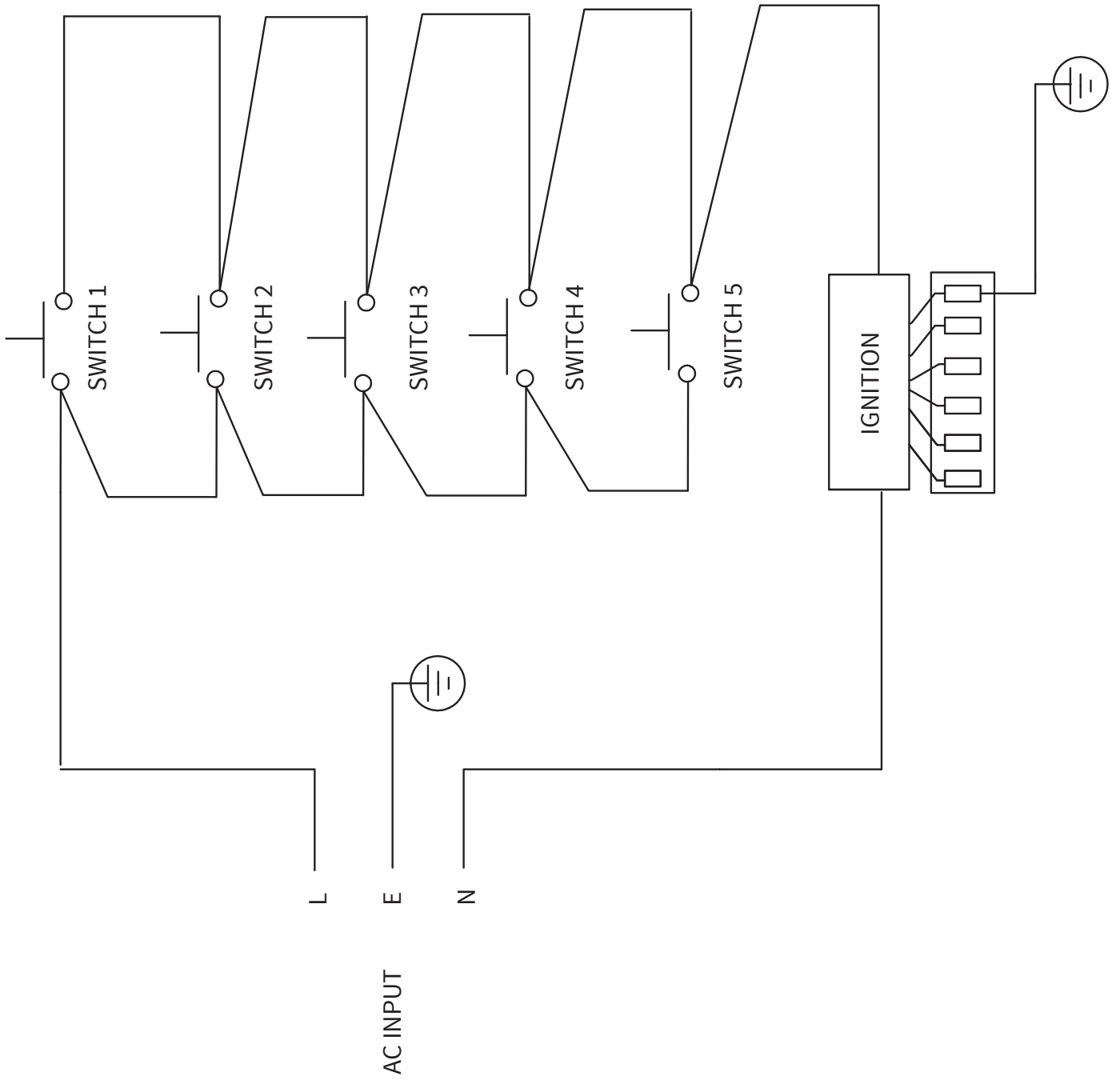
ID	Part Number	Description
50	2299918	Glass Panel Assembly including rapid, semi rapid, wok & aux drip plates - 900mm
53	2299356	Aux. burner diffuser
54	2299360	Aux. burner cap
55	2299355	Wok burner diffuser
56	2299351	Wok outer burner cap
57	2299349	Wok inner burner cap
58	2299335	Wok trivet
ULPG Kit	2299657	Gas injector - Ø0.93 - aux. burner ( & rapid burner)
	2299660	Gas injector - Ø1.00 - wok burner
	2299659	Gas injector - Ø0.90 - rapid burner
	2299630	Gas injector - Ø0.68 - semi-rapid burner
Accessory	2299638	Laite Test point - gas Pressure
	2299078	Wok Support Trivet - Ring
	2299637	Gas Regulator - Laite

## Consumption Table

TGWF92G	Natural Gas			Universal LPG		
	Inj. diam. (mm)	MJ/h	Gas pressure	Inj. diam. (mm)	MJ/h	Gas pressure
Wok burner x 1	1.72	13.50	1.0kPa	1.00	13.50	2.75kPa
Rapid burner x 1	1.50	10.80	1.0kPa	0.90	10.80	2.75kPa
Semi-rapid burner x 2	1.15	6.30	1.0kPa	0.68	6.30	2.75kPa
Auxiliary burner x 1	0.93	4.30	1.0kPa	0.58	4.30	2.75kPa
Total NHGC	41.20			41.20		



# Wiring Diagram



## CONTACT DETAILS

AUSTRALIA

### **ARISIT PTY LIMITED**

40-44 Mark Anthony Drive,  
Dandenong South, VIC 3175,  
Australia

P // 1300 762 219

F // 03 9768 0838

consumer.care@arisit.com

NEW ZEALAND

### **ARISIT PTY LIMITED**

PO Box 68-140  
Newton, Auckland 1145,  
New Zealand

P // 09 306 1020

F // 09 302 0077

sales@aristonappliances.co.nz

Tisira is committed to ongoing research and development. Every effort has been made to ensure all information in this service manual is correct at time of going to print. Dimensions should be used as a reference only and actual dimensions should be taken from the physical product only.

Manufacturer reserves the right to change specifications without notice.



[www.tisira.com](http://www.tisira.com)