



SERVICE MANUAL

UPRIGHT COOKER

TFGC919X

DISCLAIMER // THE INFORMATION CONTAINED IN THIS SERVICE MANUAL IS INTENDED FOR LICENSED PERSONNEL ONLY. PLEASE CONTACT ARISIT FOR FURTHER INFORMATION.
[AUSTRALIA] 1300 762 219 [NEW ZEALAND] 09 306 1020

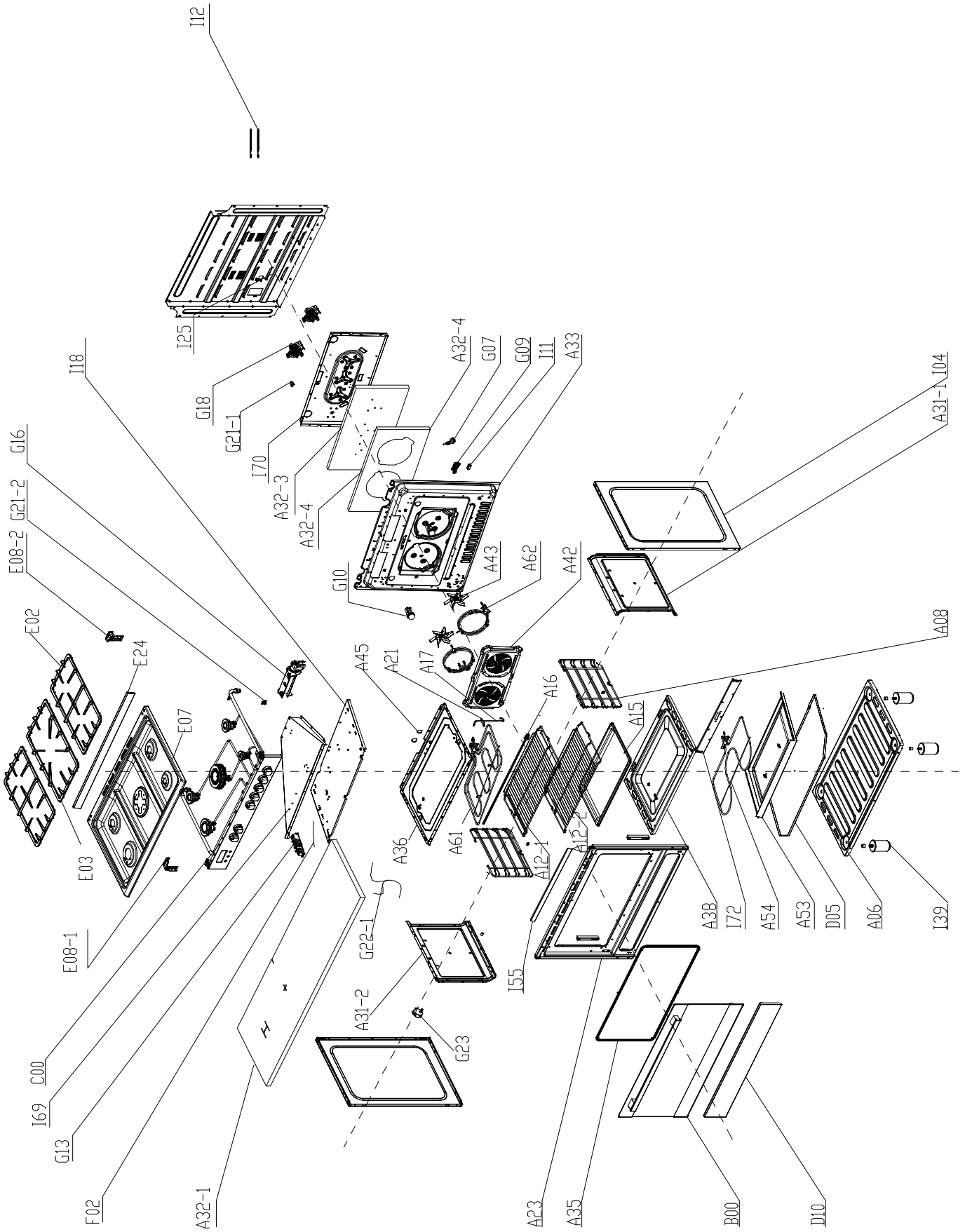


Version 1.2

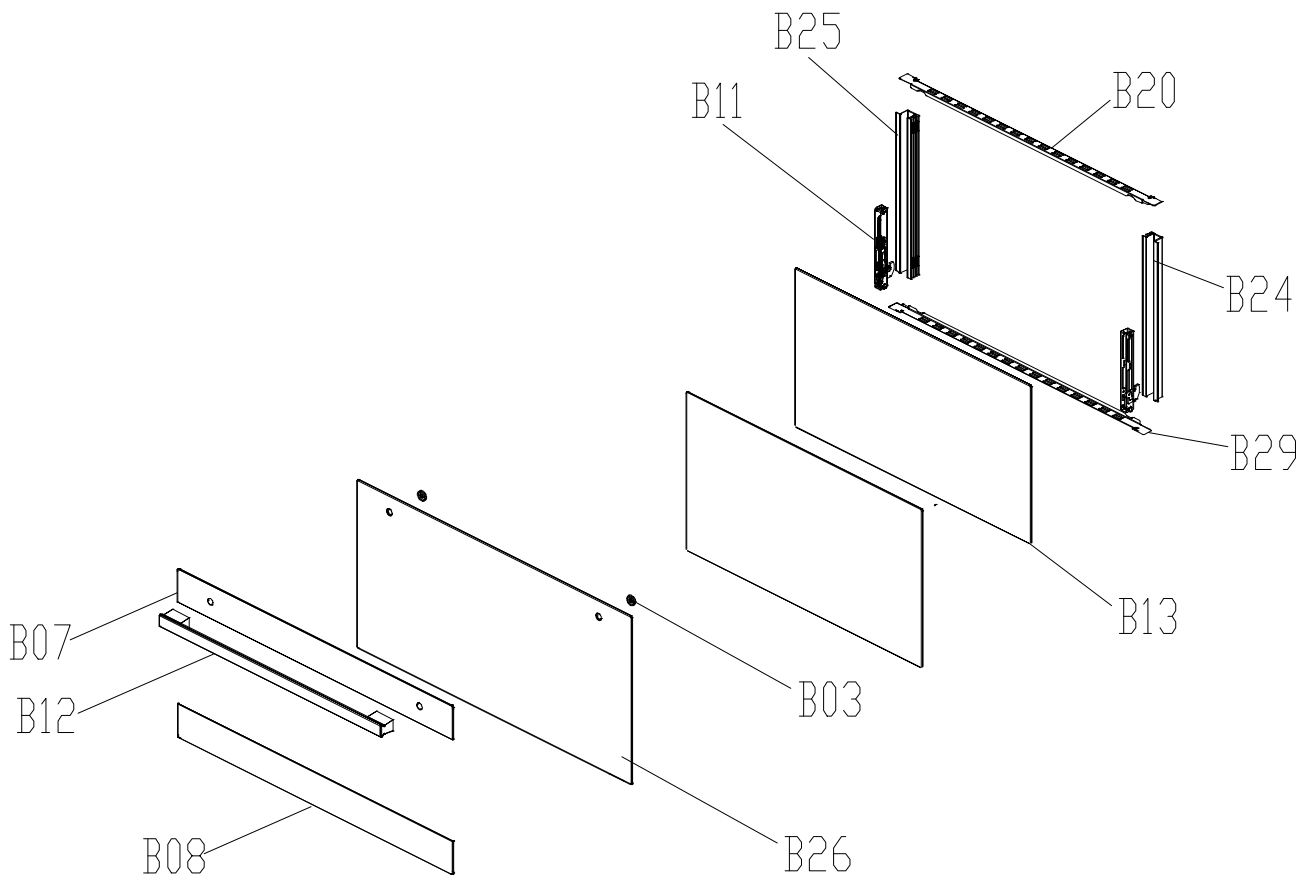


www.tisira.com

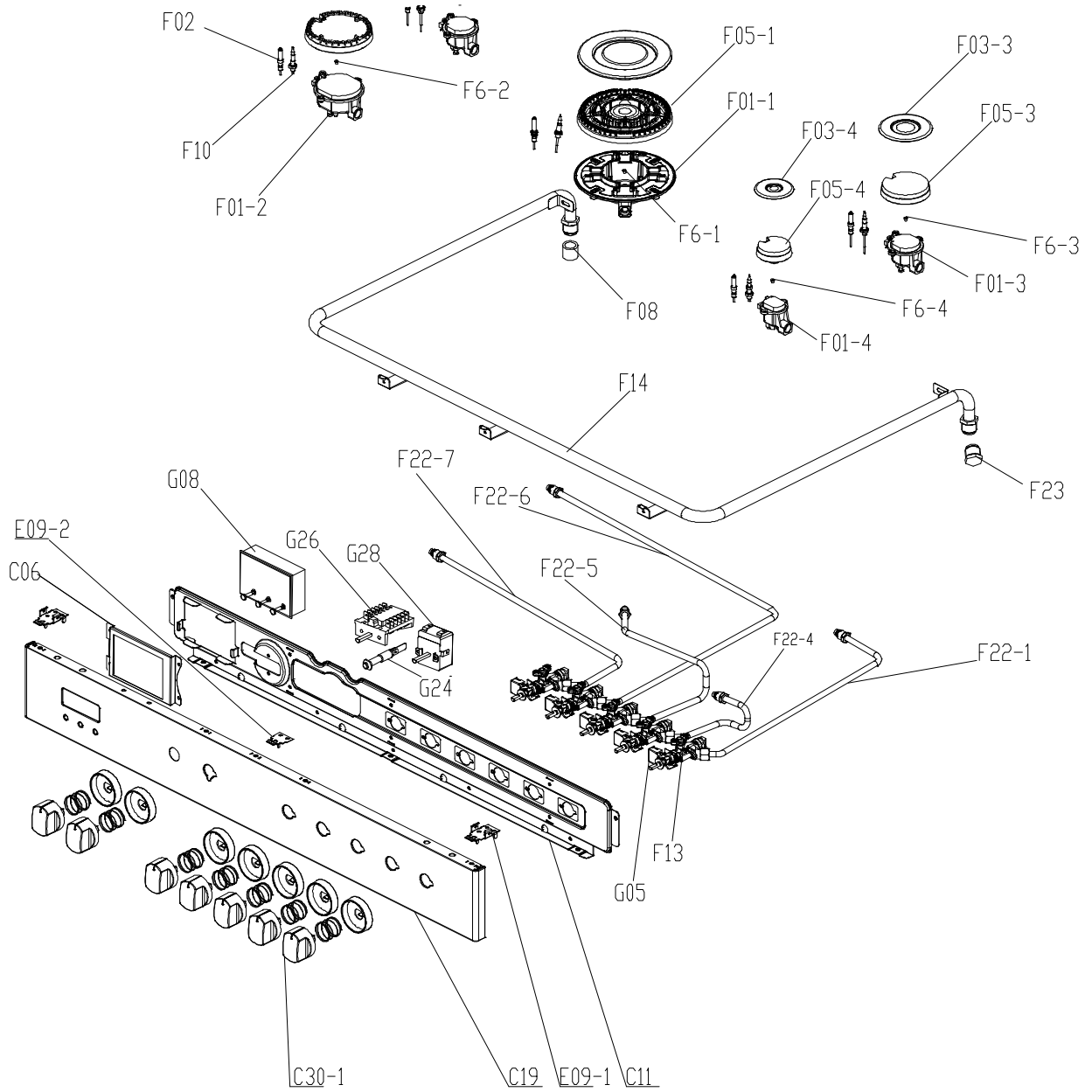
Exploded View



Exploded View



Exploded View



Parts List

ID	Part Number	Description
A08	2799200	Side Rack
A12-1	2799201	Drip Tray Insert
A12-2	2799202	Wire Shelf
A15	2799001	Drip Tray
A16	2799203	Rotary Spit
A17	2799204	Rotary Spit Holder
I25	2799002	Back panel
A35	2799900	Door seal
A42	2799003	Circular Element Cover
A43	2799400	Circulation Fan Blade
A54	2799500	Bottom Element
A61	2799501	Top Element
A62	2799502	Circular Element
D10	2799100	Storage door
E24	2799101	Splashback
E03	2799300	Trivet (Centre)
E07	2799102	Hob Panel
E02	2799301	Trivet (Left/Right)
G07	2799503	Power cord with plug (15A)
G09	2799504	Terminal Block
G10	2799505	Oven Lamp - E14
	2799521	Oven Lamp - G9 **From serial Number MD-07921-XXXXX
G13	2799506	Ignition Generator - 5 Points
G16	2799507	Cooling Fan
G18	2799508	Circulation Oven Motor
G21-1	2799509	Thermostat -150°C
G21-2	2799510	Thermostat - 55°C
G22-1	2799511	Wire assembly
G23	2799512	Rotisserie Motor
I04	2799103	External Side Panel
I11	2799401	Power Cord Clip
I12	2799901	Anti-tilting chain
I39	2799902	Adjustable foot
I72	2799104	Bottom element bracket
B00	2706006	Complete door assembly
B03	2799402	Door Handle Washer
B12	2799006	Oven door handle



Parts List

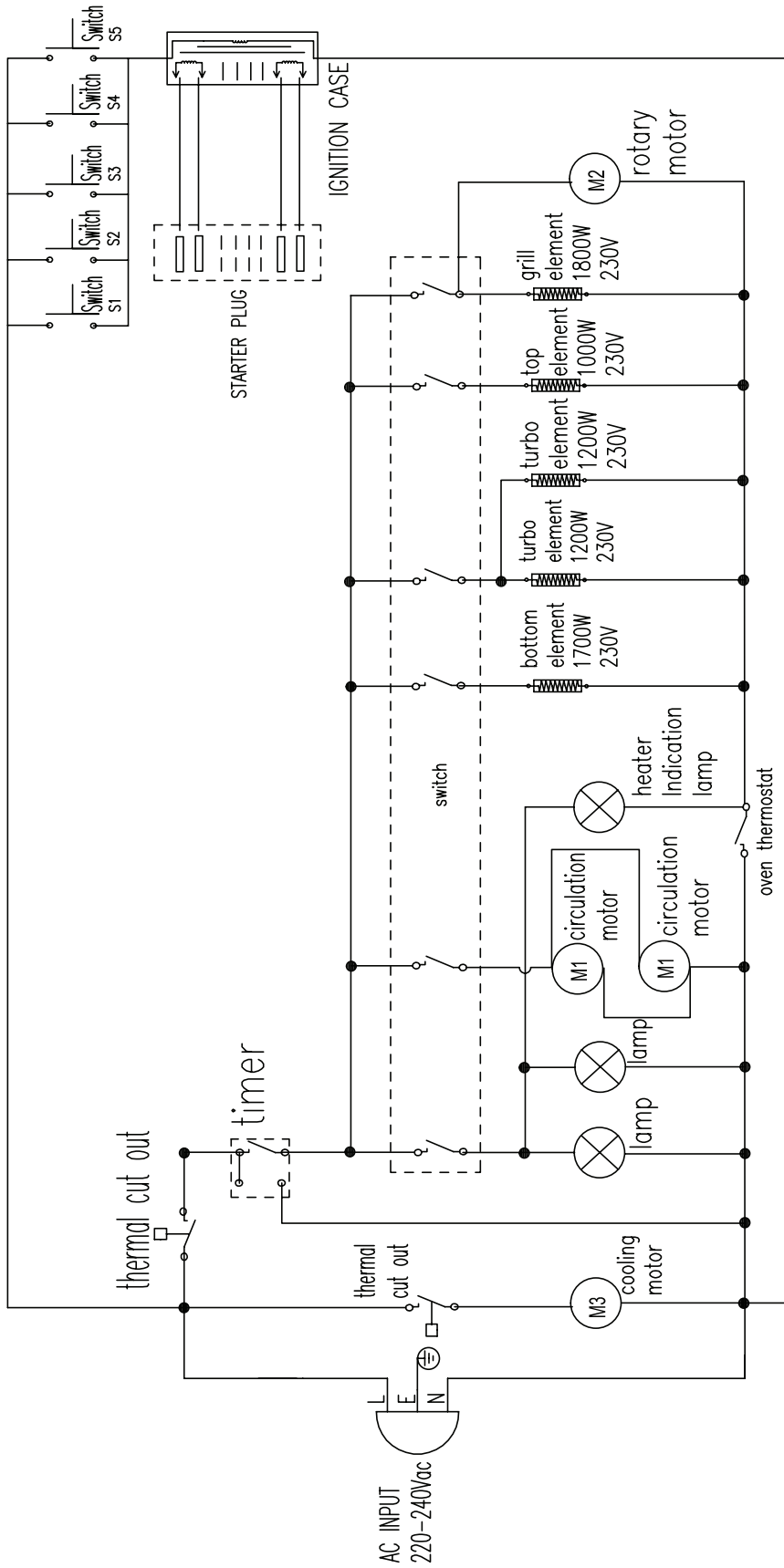
ID	Part Number	Description
-	2799007	Outer glass panel assembly
B26	(included in 2799007)	Outer glass for oven door
B24		Oven Door Frame Bracket (Right)
B25		Oven Door Frame Bracket (Left)
B07		Upper metal strip
B08		Lower metal strip
B13		2799801
B11	2799008	Door Hinges
C19	2799105	Control panel Stainless Steel Plate
C30-1	2799009	Knob - ISS-4
F01-1	2299314	Wok Burner Cup (Base)
F01-2	2299310	Rapid Burner Cup (Base)
F01-3	2299307	Semi-Rapid Burner Cup (Base)
F01-4	2299304	Auxiliary Burner Cup (Base)
F02	2299519	Ignition candle - Wok burner (620mm)
F02	2299517	Ignition candle - Rapid/ Semi-rapid rear left burner (220mm)
F02	2799513	Ignition candle - Auxiliary/Semi-rapid rear right burner (850mm)
F03-1	2299311	Wok Burner Outer Cap
F03-1	2299312	Wok Burner Inner Cap
F03-2	2299308	Rapid Burner Cap
F03-3	2299305	Semi-Rapid Burner Cap
F03-4	2299302	Auxiliary Burner Cap
F05-1	2799302	Wok Burner Diffuser
F05-2	2799303	Rapid Burner Diffuser
F05-3	2299306	Semi-Rapid Burner Diffuser
F05-4	2299303	Auxiliary Burner Diffuser
F08	2799600	Gas fitting elbow
F10	2799514	Thermocouple - Wok burner (550mm)
F10	2799515	Thermocouple - Auxiliary burner (280mm)
F10	2799516	Thermocouple - Rapid/Semi-Rapid rear leftburner (660mm)
F10	2799517	Thermocouple -Semi-Rapid rear right burner (460mm)
F13	2799601	Gas valve - Wok (0.65)
F13	2799602	Gas valve - Rapid (0.46)
F13	2799603	Gas valve - Semi-Rapid (0.40)
F13	2799604	Gas valve - Auxiliary (0.30)
F23	2799605	End cap

Parts List

ID	Part Number	Description
F6-1	2799606	Natural Gas injector Ø1.63mm (Wok)
F6-2	2799607	Natural Gas injector Ø1.50mm (Rapid)
F6-3	2799608	Natural Gas injector Ø1.20mm (Semi-rapid)
F6-4	2799609	Natural Gas injector Ø0.90mm (Auxiliary)
G05	2799518	Microswitch
G08	2799010	Digital Timer
G24	2799403	Indicator and Bezel
G26	2799519	Selector Switch
G28	2799520	Thermostat (Temperature Control)
ULPG Kit	2799610	ULPG injector Ø0.53mm (Auxiliary)
	2799611	ULPG injector Ø0.73mm (Semi-Rapid)
	2799612	ULPG injector Ø0.95mm (Rapid)
	2799613	ULPG injector Ø1.00mm (Wok)
	2299637	Gas regulator (Laite)



Wiring Diagram



CONTACT DETAILS

AUSTRALIA

ARISIT PTY LIMITED

40-44 Mark Anthony Drive,
Dandenong South, VIC 3175,
Australia

P // 1300 762 219

F // 03 9768 0838

consumer.care@arisit.com

NEW ZEALAND

ARISIT PTY LIMITED

PO Box 68-140
Newton, Auckland 1145,
New Zealand

P // 09 306 1020

F // 09 302 0077

sales@aristonappliances.co.nz

Tisira is committed to ongoing research and development. Every effort has been made to ensure all information in this service manual is correct at time of going to print. Dimensions should be used as a reference only and actual dimensions should be taken from the physical product only.

Manufacturer reserves the right to change specifications without notice.



www.tisira.com