



SERVICE MANUAL

UPRIGHT COOKER

TFCM629WE

DISCLAIMER // THE INFORMATION CONTAINED IN THIS SERVICE MANUAL IS INTENDED FOR LICENSED PERSONNEL ONLY. PLEASE CONTACT ARISIT FOR FURTHER INFORMATION.
[AUSTRALIA] 1300 762 219 [NEW ZEALAND] 09 306 1020

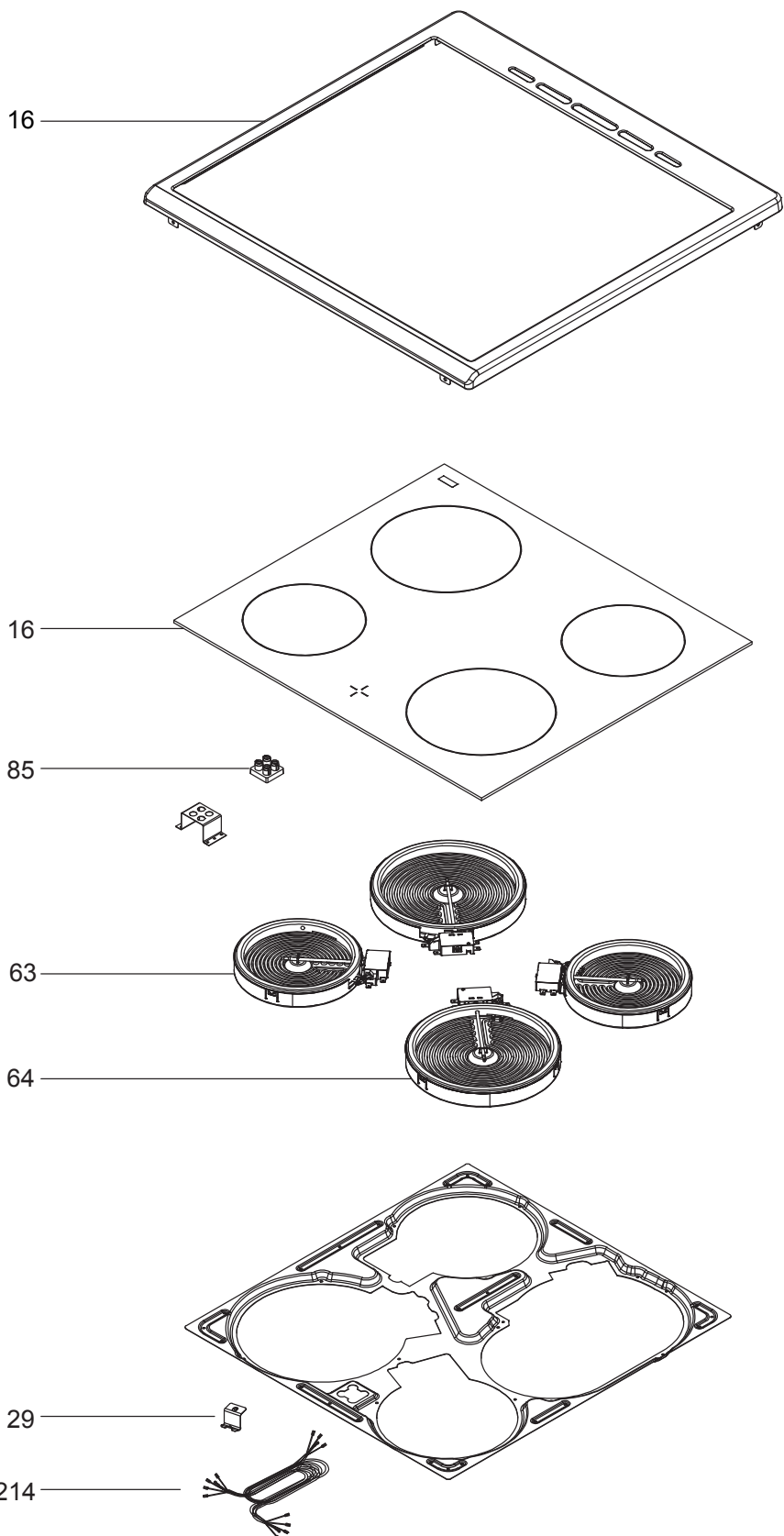


Version 1.1.1

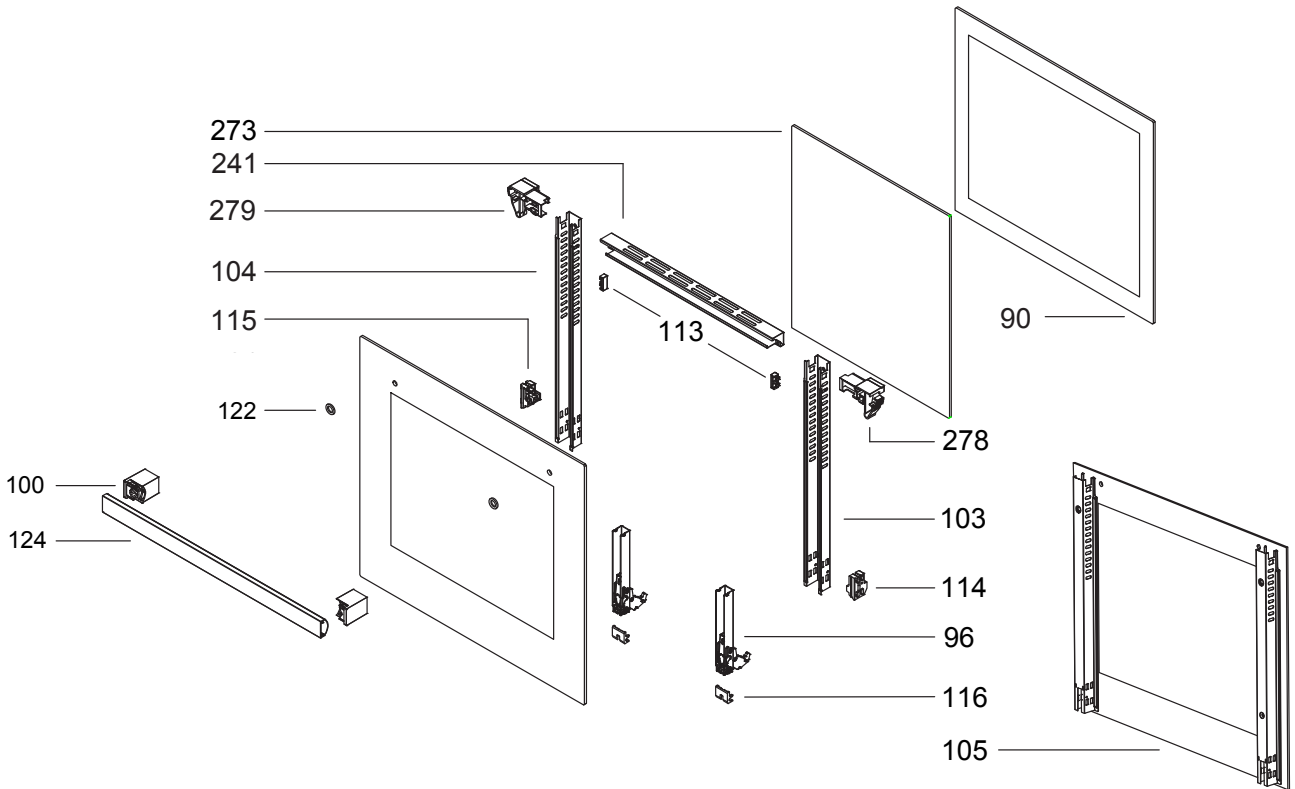
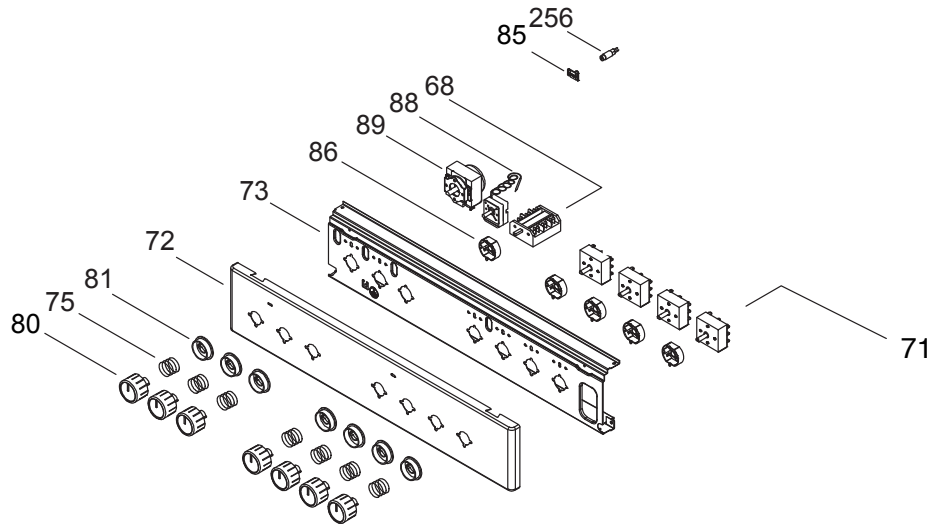


www.tisira.com

Exploded View



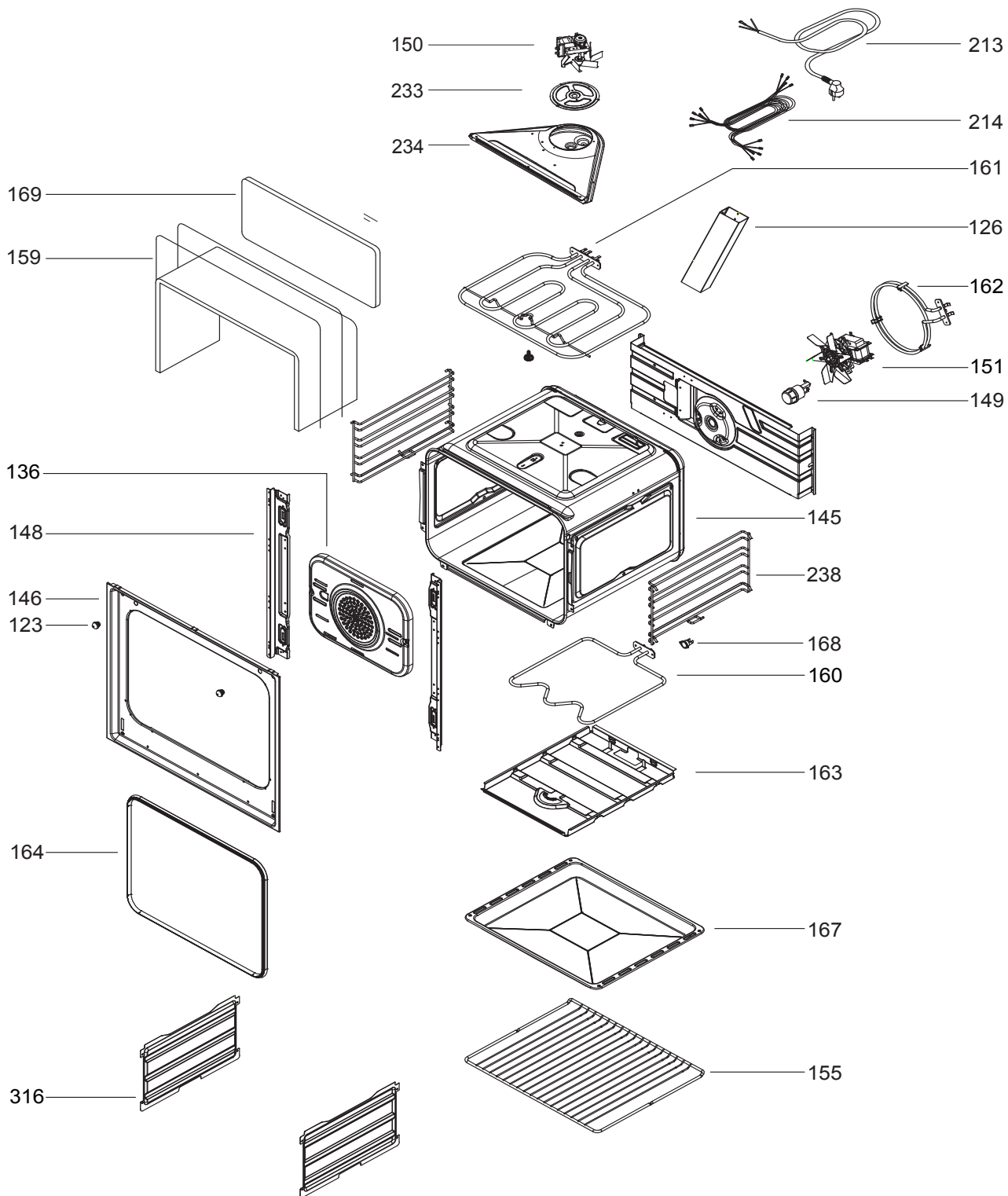
Exploded View



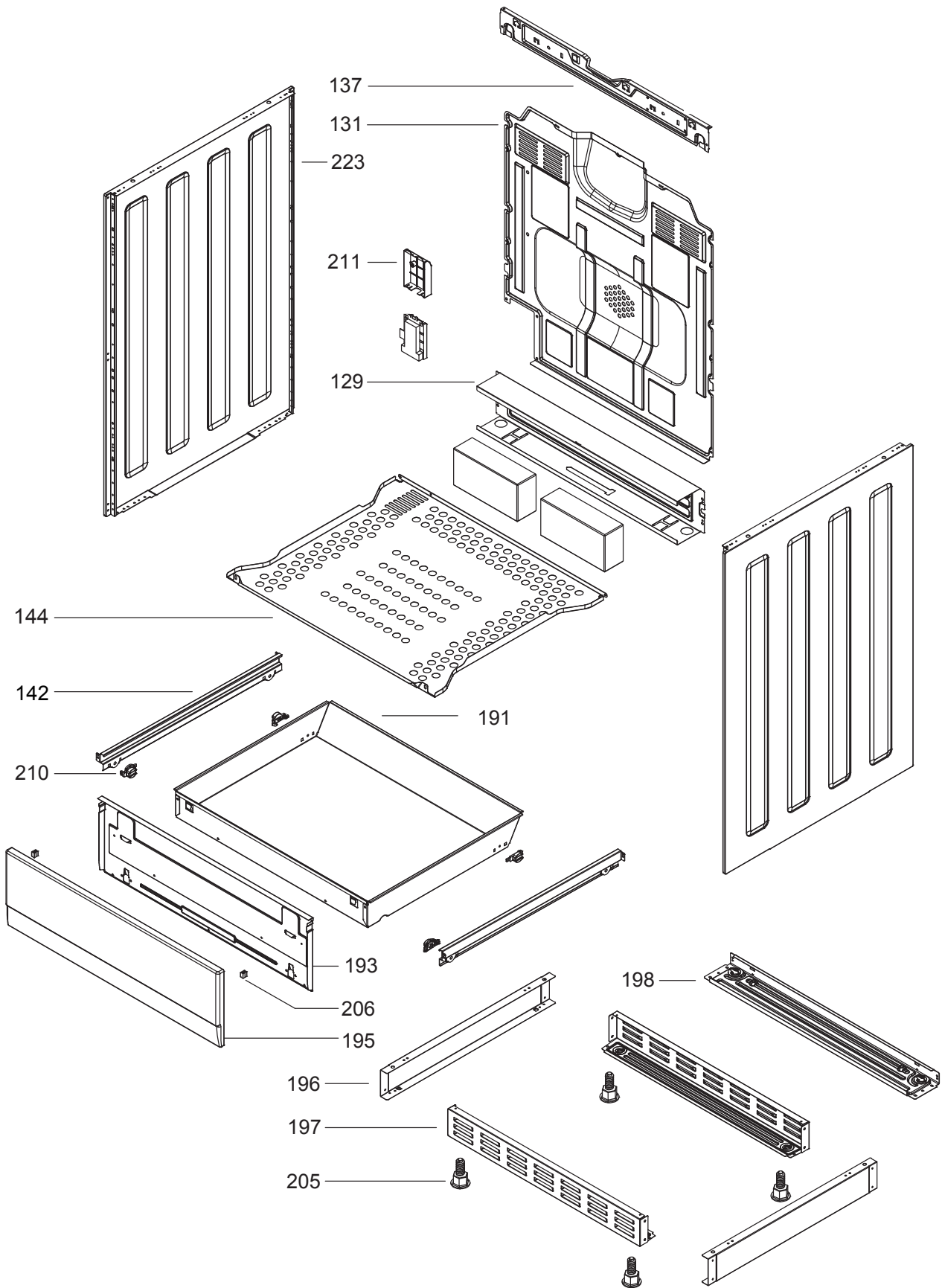
*Complete Door Assembly (5791102)



Exploded View



Exploded View



Parts List

ID	Part N#	Factory ID	Description
16	5791802	YFT60-12BB-041-119	Glass Assembly - Ceramic
29	5791207	H25-55-100-038	Fixing Bracket
63	5791514	H35-30-300-014	Ceramic Hot Plate ø140 1200W/230V
64	5791515	H35-30-300-015	Ceramic Hot Plate ø180 1700W/230V
68	5791501	H35-30-200-040	Rotary (Selector) Switch -9F Oven
71	5791503	H35-30-200-009	Rotary (Selector) Switch - Ego Solid Hob
72+73	5706107	YFT60-4000-010-029 YFT60-4000-010-029	Tisira Front Control Panel (white) + bracket
75	5791402	H25-55-100-004	Knob Spring
80	5791400	H20-10-120-023	Knob - White
81	5791401	H20-15-100-012	Knob bracket
85	5191503	H35-30-100-001	LED Light cover
85	5791500	H35-30-100-006	LED Zone Indicator
88	5191508	H35-30-360-001	Thermostat
89	5191513	H35-30-380-006	Manual (Mechanical Timer)
90	5791800	H15-20-140-011	Inner Glass
96	5791200	H25-30-120-005	Door hinge (L or R)
114	5791408	H20-25-320-126	Inner Glass Bottom Plastic Bracket - Right
115	5791409	H20-25-320-125	Inner Glass Bottom Plastic Bracket - Left
136	5791301	YFT60-4200-020-010	Back Plate - Emamel
142	5791203	YFT60-4000-010-027	Runners for Drawer (L or R)
149	5191505	H35-30-280-001	Globe and Holder
150	5791518	H35-30-340-018	Cooling Fan
151	5191506	H35-30-340-003	Oven Fan
155	5191215	H25-10-160-014	Wire Rack
160	5191501	H35-25-160-002	Bottom Element
161	5791504	H35-25-160-001	Grill Element
162	5791505	H35-25-160-004	Circular Element
164	5791900	H70-10-130-003	Door Seal
167	5791300	YORTK-0700-020-001	Drip Tray - 30mm
167	5791301	YORTK-0700-020-002	Drip Tray - 50mm
168	5191510	H35-30-360-018	Safety Device (Thermostat 120 degC)
195	5791104	YFT60-36BB-030-007	Assembled Front Panel - Warming Drawer
197	5791206	YFT60-41BB-030-012	Front Base Grill
205	5791405	H20-25-180-011	Plastic Adjustable Foot
210	5791404	H20-25-320-089	Plastic Wheel
211	5791510	H35-30-180-004	Terminal Box
213	5791511	H35-10-200-003	Flexible Power Cord
223	5791105	YFT90-21BB-030-001	Side Panel (L or R)

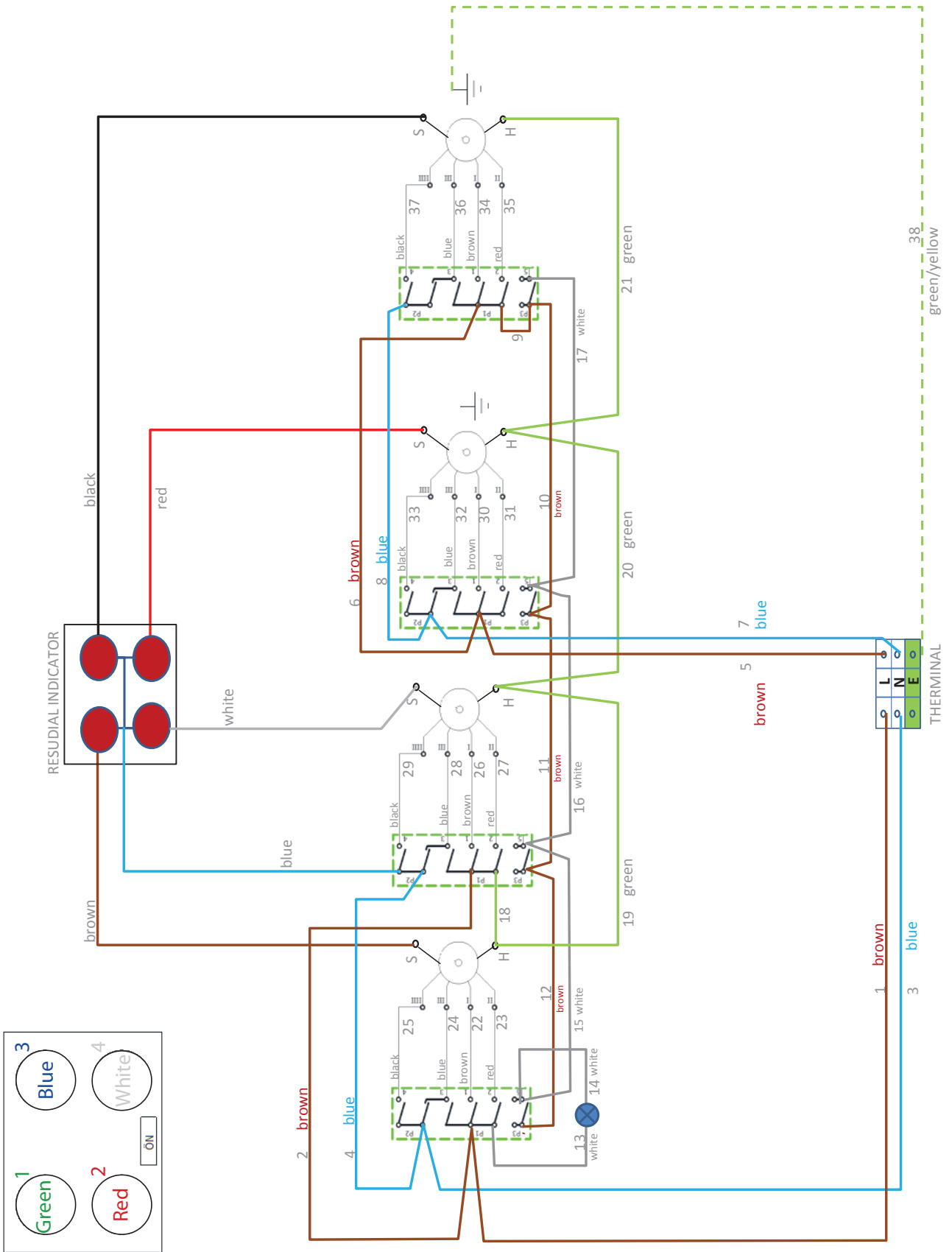


Parts List

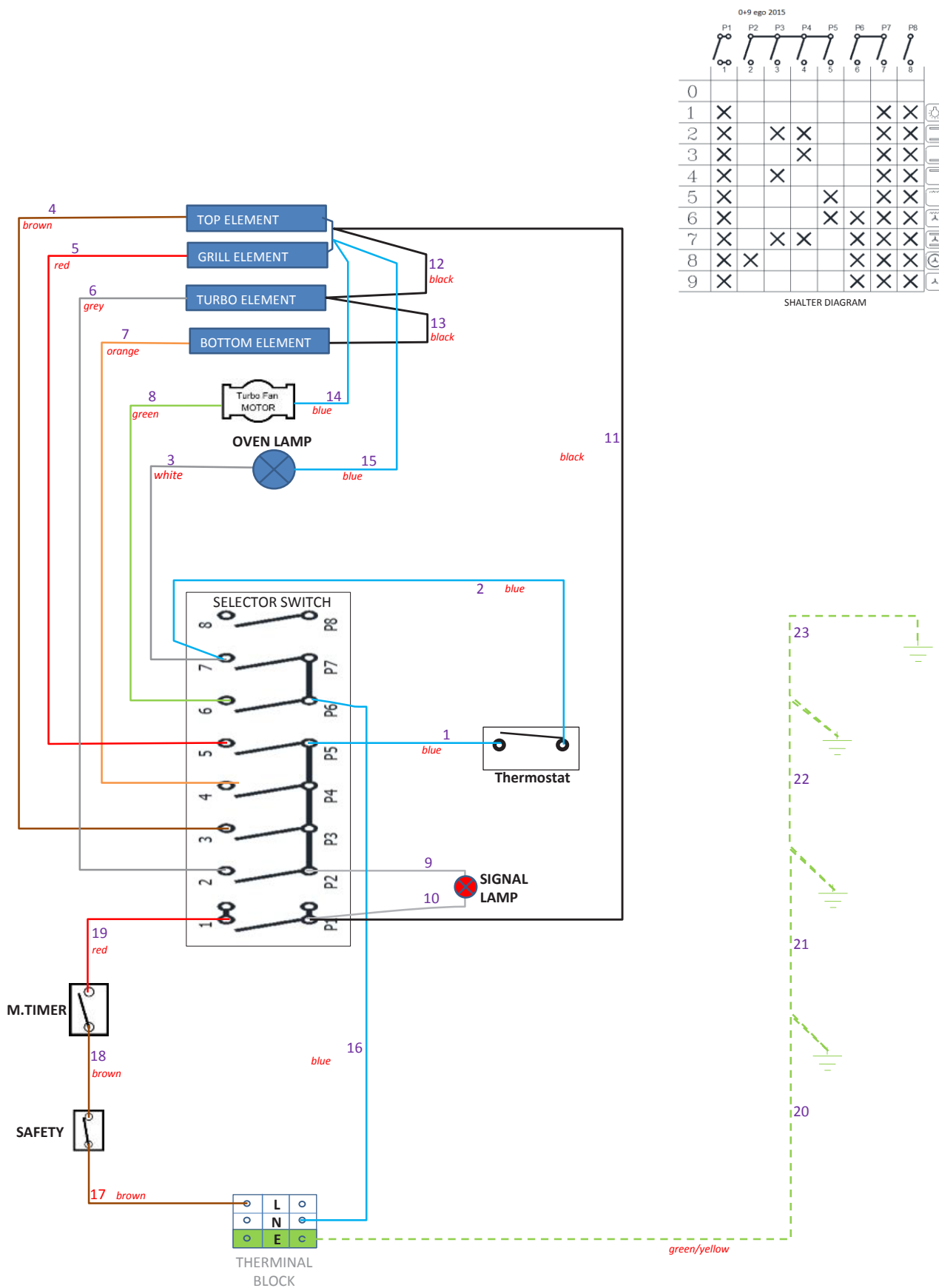
ID	Part N#	Factory ID	Description
241	5191410	YFA60-41SP-030-038	Door Plastic Profile
256	5791804	H20-25-320-023	Functions Light
273	5791801	H15-20-140-012	Middle Glass
278	5191405	H20-25-320-080	Inner Glass Top Plastic Bracket - Right
279	5191406	H20-25-320-081	Inner Glass Top Plastic Bracket - Left
316	5791902	YORTK-4000-020-046	Catalytic Liners (L or R)
100+124	5791103	YFT60-66BB-030-011 H20-25-280-019	Assembled Handle
*	5791102	Various	Complete Assembled Oven Door with Handle and Hinges



Wiring Diagram



Wiring Diagram



0+9 ego 2015

	P1	P2	P3	P4	P5	P6	P7	P8	
0									⚙️
1	×						×	×	🔌
2	×		×	×			×	×	🔌
3	×			×			×	×	🔌
4	×		×				×	×	🔌
5	×				×		×	×	🔌
6	×				×	×	×	×	🔌
7	×	×	×			×	×	×	🔌
8	×	×				×	×	×	🔌
9	×					×	×	×	🔌

SHALTER DIAGRAM

CONTACT DETAILS

AUSTRALIA

ARISIT PTY LIMITED

40-44 Mark Anthony Drive,
Dandenong South, VIC 3175,
Australia

P // 1300 762 219

F // 03 9768 0838

consumer.care@arisit.com

NEW ZEALAND

ARISIT PTY LIMITED

PO Box 68-140
Newton, Auckland 1145,
New Zealand

P // 09 306 1020

F // 09 302 0077

sales@aristonappliances.co.nz

Tisira is committed to ongoing research and development. Every effort has been made to ensure all information in this service manual is correct at time of going to print. Dimensions should be used as a reference only and actual dimensions should be taken from the physical product only.

Manufacturer reserves the right to change specifications without notice.



www.tisira.com