



SERVICE MANUAL

14 PLACE // DISHWASHER

TDW14I

DISCLAIMER // THE INFORMATION CONTAINED IN THIS SERVICE MANUAL IS INTENDED FOR LICENSED PERSONNEL ONLY. PLEASE CONTACT ARISIT FOR FUTHER INFORMATION [AUST] 1300 762 219 [NEW ZEALAND] 09 306 1020

 **tisira**

Version 3.1









www.tisira.com

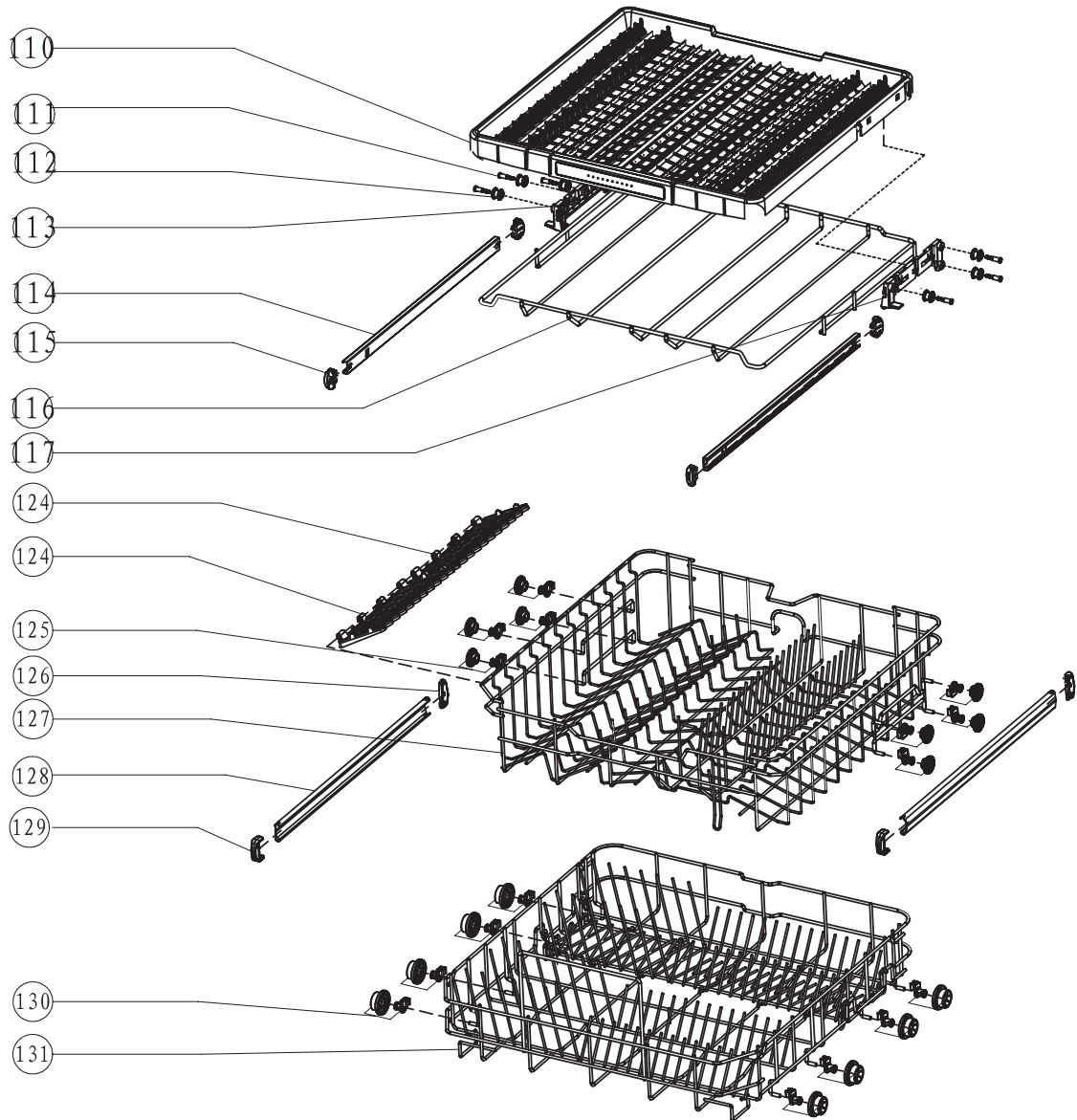
CAUTION

DISCONNECT POWER BEFORE SERVICING

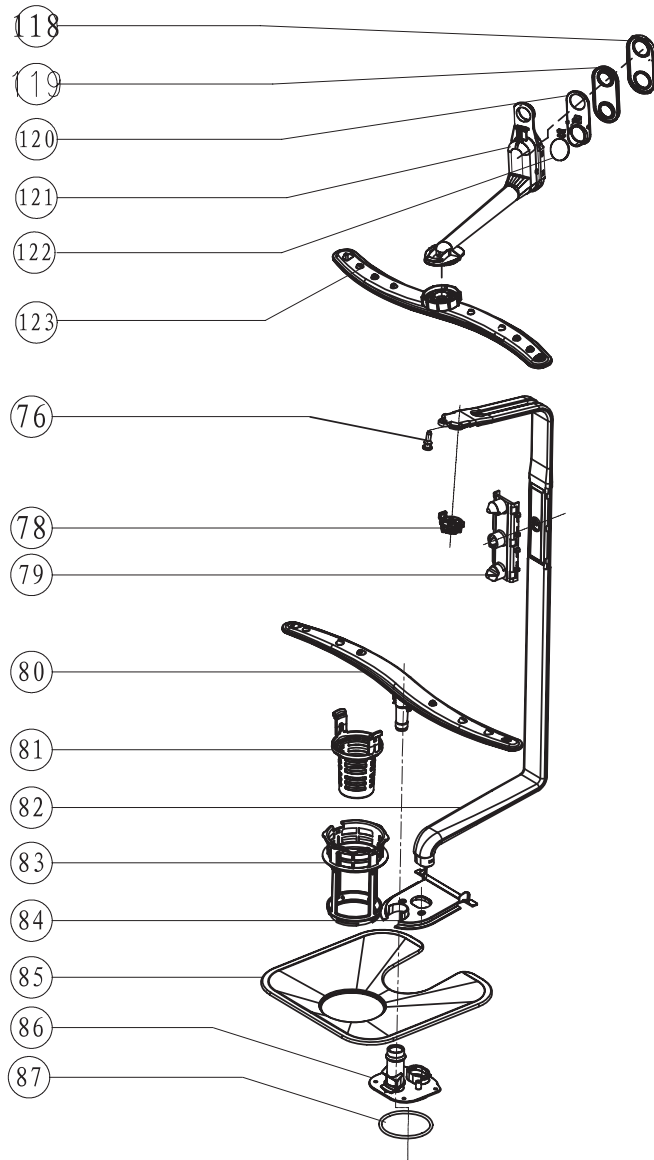
Rated voltage / frequency	220-240V AC / 50Hz
Current	Max 10A
Installation	Built-in
Place setting	14
Product dimensions (W x D x H)	555 x 594 x 820mm
Product weight:	42kg
Control	Electronic
Rated power	1850W
Hot water connection	Max 60°C
Water pressure	0.04 - 1.00MPa
Operating time (Normal)	113 mins
Water consumption (Normal)	13.7L
Water supply flow rate	4.0L/min
Delay start function	YES

Program	Cycle Selection Information	Description of Cycle	Detergent Pre/Main	Running Time (min)	Energy (kWh)	Water (L)
 Intensive	For the heaviest soiled loads, such as pots, pans, casserole dishes and dishes that have been sitting with dried food on them for a while.	Pre-wash(40°C) Main wash(55°C) Rinse 1 Rinse 2 Hot rinse(65°C) Drying	5/27.5g (or 3 in 1)	150	1.35	20.0
 Heavy	For heavy soiled loads, such as pots, plates, glasses and lightly soiled pans. Standard daily cycle.	Main wash(60°C) Rinse 1 Rinse 2 Hot rinse(65°C) Drying	5/27.5g (or 3 in 1)	135	1.25	16.0
 Normal	For normally soiled loads, such as pots, plates, glasses and lightly soiled pans. standard daily cycle.	Main wash(45°C) Rinse Hot rinse(50°C) Drying	5/27.5g (or 3 in 1)	113	0.83	13.7
 Rinse	For dishes that need to be rinsed and dried only.	Pre-wash Hot rinse(70°C) Drying	-	67	0.85	8.0
 Rapid	A shorter wash for lightly soiled loads that do not need drying.	Main wash(40°C) Hot rinse(50°C)	20g	50	0.60	8.0
 Soak	To rinse dishes that you plan to wash later on that day	Pre-wash	-	8	0.07	4.0

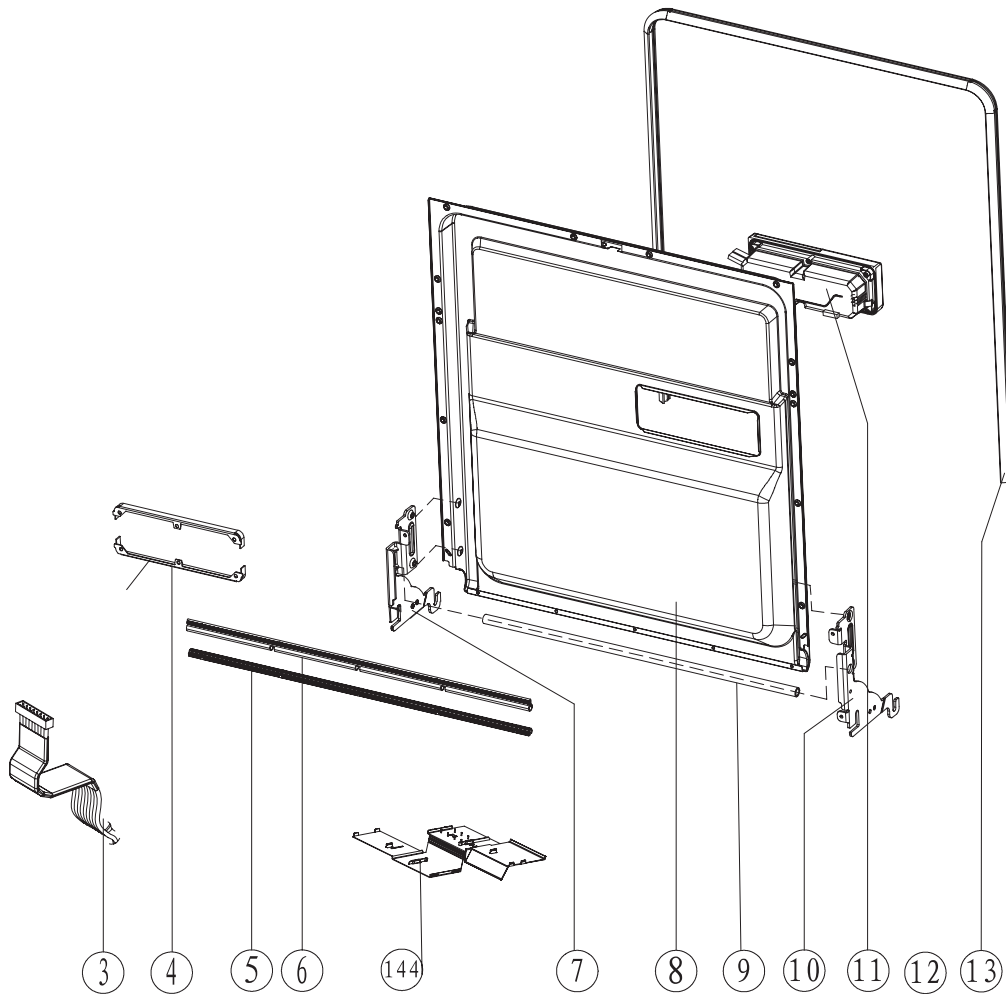
Exploded View



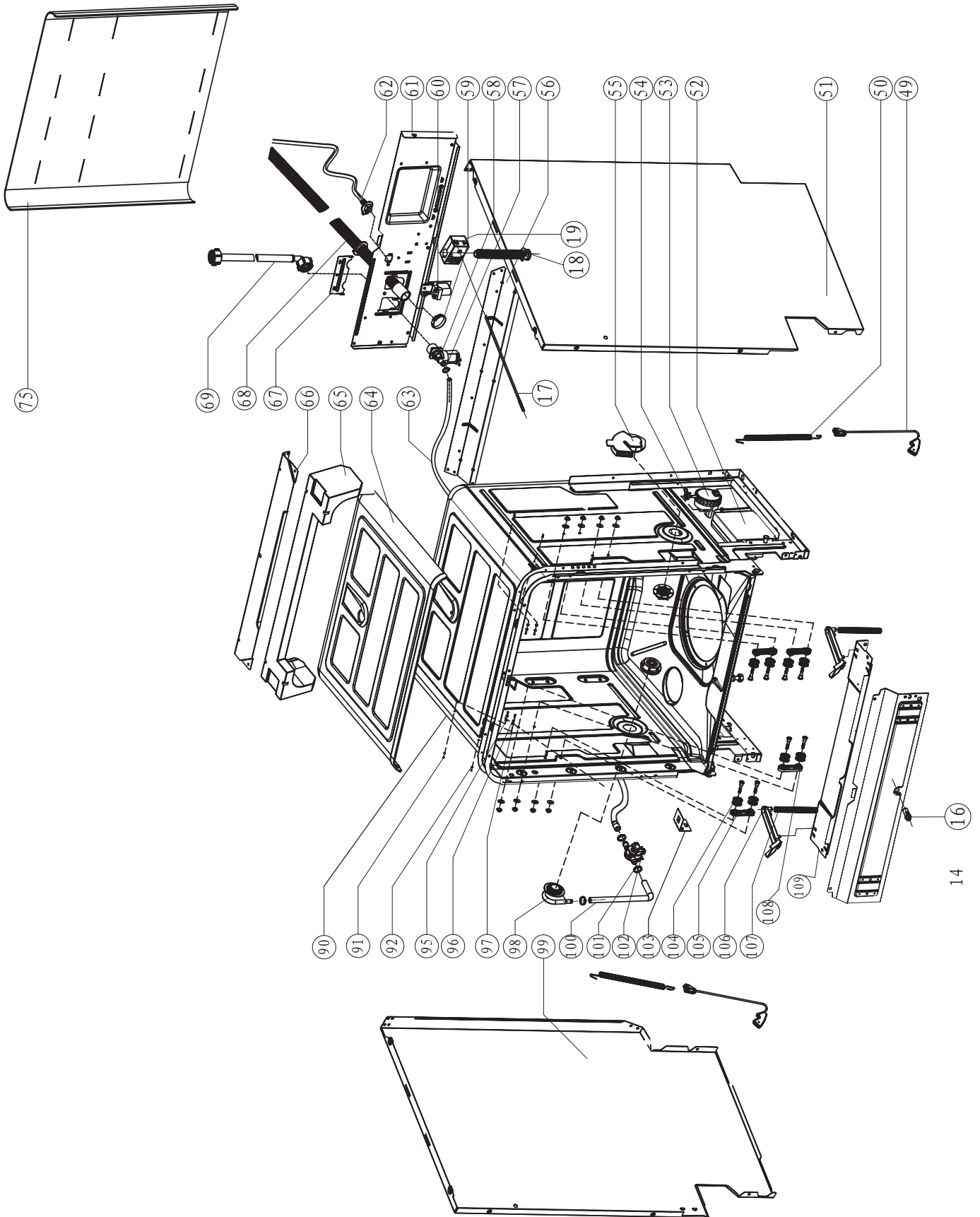
Exploded View



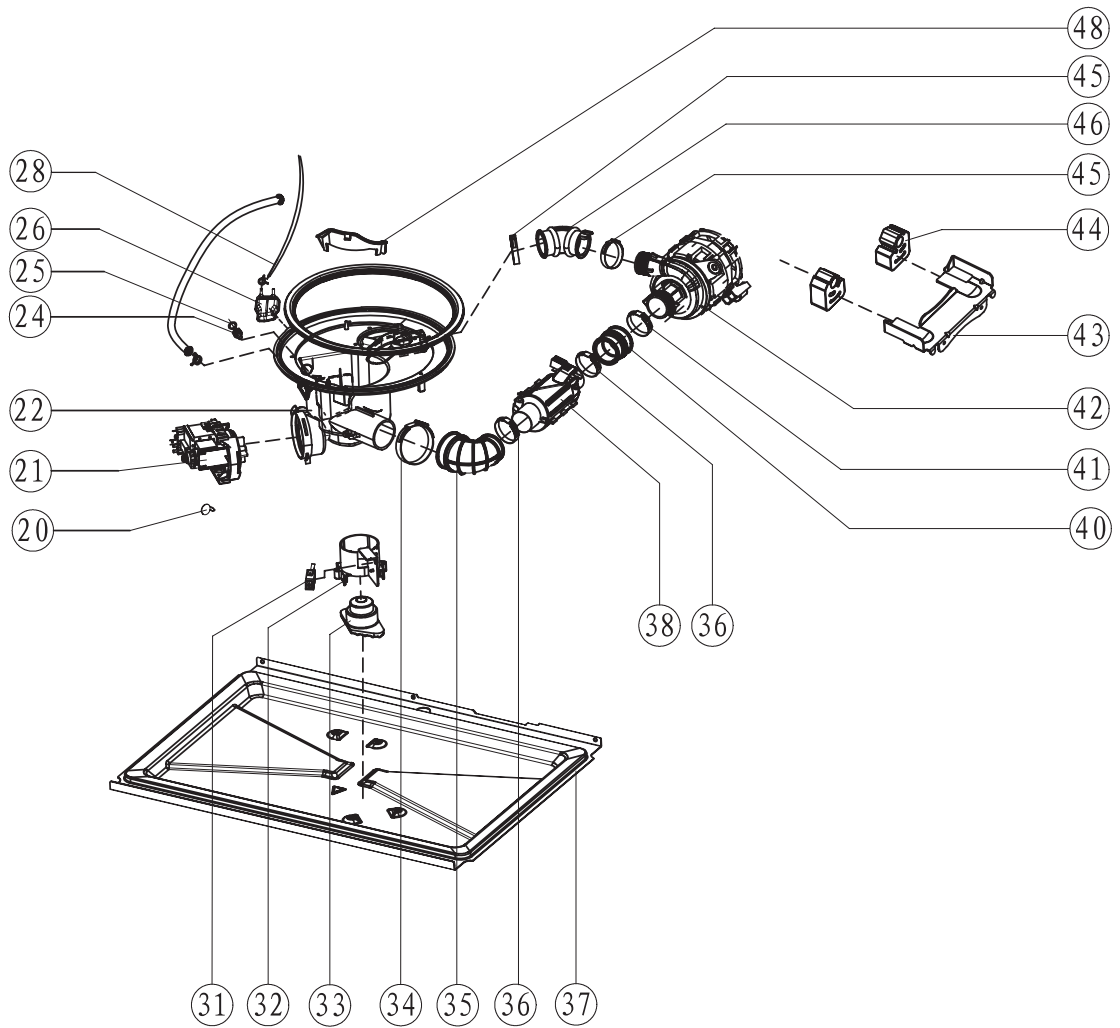
Exploded View



Exploded View



Exploded View



ID	PART NUMBER	DESCRIPTION
1	2406004.001	External Door without Finish Panel
2	2406004.501	Power Switch
3	2406004.502	Flat Cable (control panel)
4	2499000.455	Dispenser Holder
6	2406004.901	Lower Seal of Inner Door
7	2406004.002	Left Hinge
10	2406004.003	Right Hinge
11	2499000.401	Detergent Dispenser
18	2406004.902	Adjustable Foot
19	2406004.004	Central Adjustable Foot Assembly
20	2499000.405	Block for Draining Pump
21	2499000.502	Draining Pump
22	2499000.002	Sump Assembly
24	2499000.503	Temperature Sense Organ
25	2499000.408	Seal for Turbidity Sensor
28	2406004.701	Pressure Hose
31	2499000.501	Overflow Microswitch
32	2499000.404	Overflow Holer
33	2499000.403	Overflow Float
34	2499000.902	Hose Clamp (OTK500)
35	2499000.701	Rubber Tube for Heater
36	2499000.904	Hose Clamp (OTK381)
38	2499000.504	Heating Unit
40	2499000.702	Inlet Rubber Duct for Washing Pump
41	2499000.905	Hose Clamp (OTK396)
42	2499000.506	Washing Pump
43 - 44	2406004.401	Washing Pump Bracket Assembly
45	2499000.907	Hose Clamp (OTK361)
46	2499000.703	Outlet Rubber Duct for Washing Pump
48	2499000.407	Sump Deflector
49	2406004.904	Hinge Line
50	2499000.910	Door Spring

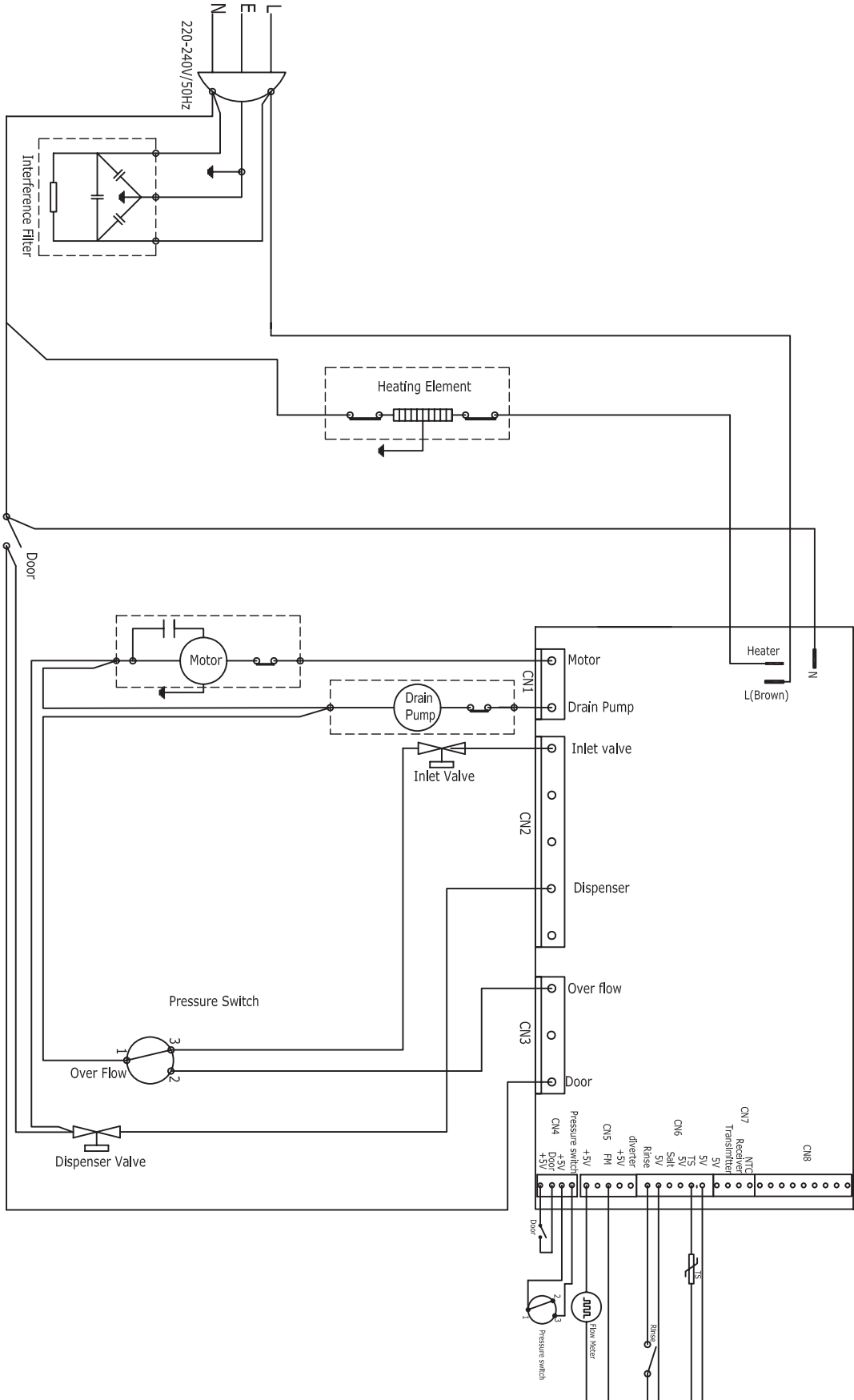
Parts List

ID	PART NUMBER	DESCRIPTION
52	2499000.418	PCB Box
53	2499000.909	Pressure Switch
54	2499000.911	Colar
55	2499000.419	Air Breaker
58	2499000.507	Water Inlet Valve
59	2406004.905	Hose Clamp (OTK286)
60	2499000.508	Power Filter
62	2499000.509	Power Cord
63	2499000.706	Inlet Hose for Flowmeter
67	2406004.402	Water Pipe Holder
68	2499000.707	Draining Hose
69	2499000.708	Inlet Hose
76	2499000.920	Rubber Tack for Inner Pipe
78	2499000.430	Top Nozzle Braker
79	2499000.431	Pipe Casing
80	2499000.432	Lower Sprayer Assembly
81	2499000.433	Coarse Filter
82	2499000.434	Inner Pipe
83	2499000.435	Micro Filter
84	2499000.436	Filter Support
85	2499000.437	Flat Filter
86	2499000.438	Watershed
87	2499000.439	Seal for Watershed
97	2499000.903	Screw for Guide
98	2499000.912	Water Breaker
100	2499000.705	Inlet Hose for Water Breaker
101	2499000.913	Hose Clamp (OTK192)
102	2499000.914	Flowmeter
104	2499000.414	Guide Wheels
105	2499000.415	Guide Holder
106	2499000.409	Overflow Launder
107	2499000.700	Overflow Hose
110	2499000.003	Fork Shelf
111	2499000.921	Screw for Fork Shelf

Parts List

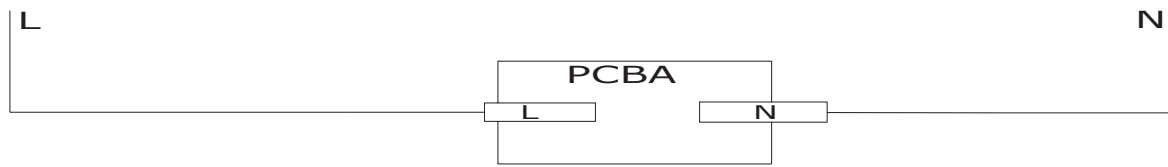
ID	PART NUMBER	DESCRIPTION
112	2499000.440	Fork Shelf Wheels
113	2499000.441	Left Bracket for Shelf
114	2499000.203	Top Basket Guide
115	2499000.443	Top Basket Guide Block
116	2499000.922	Cutlery Rack Bracket
117	2499000.442	Right Bracket for Fork Shelf
118	2499000.444	Upper Sprayer Pipe Holder
119	2499000.445	Matching Seal
120	2499000.446	Matching Piece
121	2499000.447	Upper Sprayer Pipe
122	2499000.452	Block for Upper Sprayer
123	2499000.448	Upper Sprayer Assembly
124	2499000.926	Cup Rack
125	2499000.451	Wheels of Upper Basket
126	2499000.453	Basket Guide Rear Block
127	2499000.924	Upper Basket
128	2499000.204	Upper Basket Guide
129	2499000.454	Basket Guide Front Block
130	2499000.451	Wheels of Lower Basket
131	2499000.925	Lower Basket
133-135	2499000.004	Door Lock Assembly
136	2406004.503	Door Microswitch
147	2406004.906	Adjusting Wire
148	2406004.403	Adjusting Nut of Door
151	2406004.201	Adjusting Bolt of Door
172	2406004.504	Display PCBA
173	2406004.404	Power Button
174	2406004.405	Program Button
175	2406004.907	Rubber Button
177	2406004.101	Control Panel Cover
184	2406004.406	T-Shape Connector

Wiring Diagram

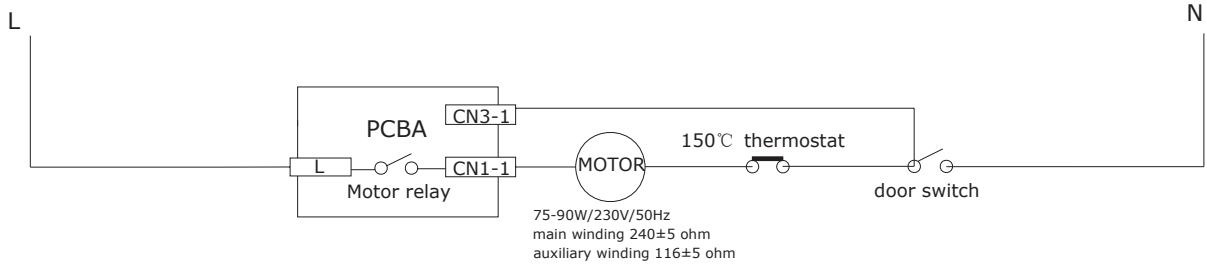


Wiring Diagram

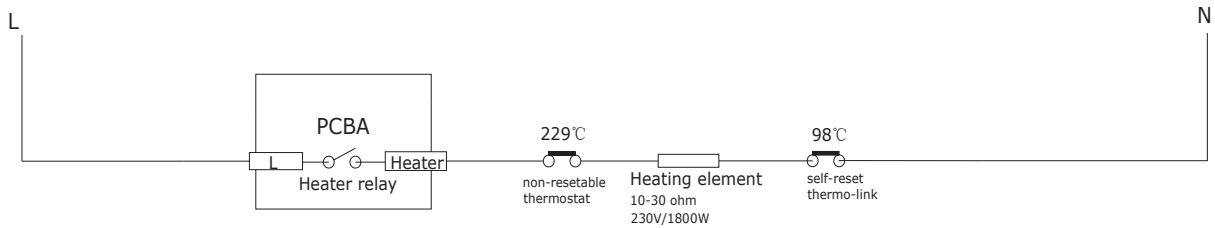
POWER UP



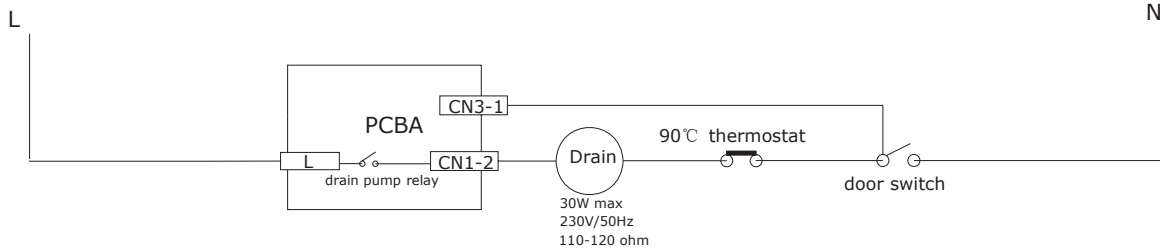
WASHING MOTOR



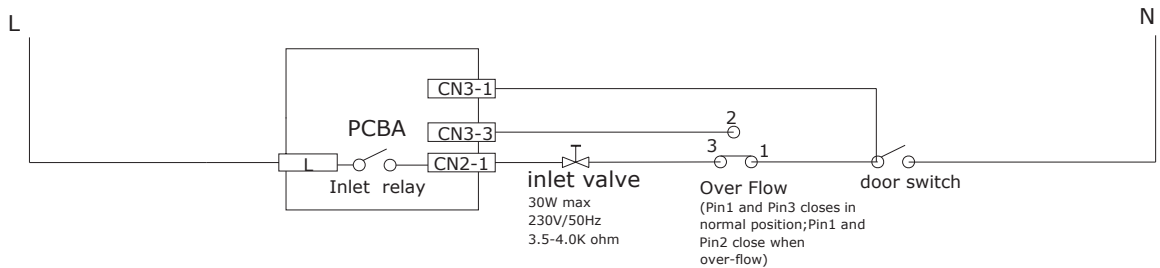
HEATER ELEMENT



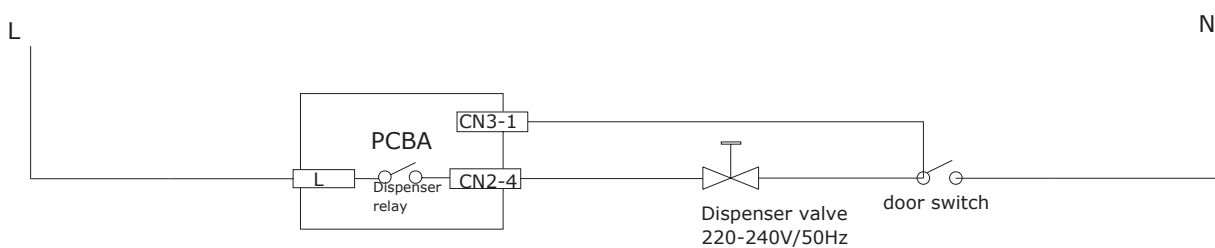
DRAIN PUMP



FILL AND OVERFLOW



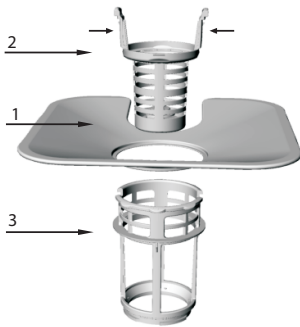
DISPENSER



FILTERING SYSTEM

The filter is used to avoid the big remnants and other sundries getting inside the pump. Sometimes, an extra deposit of residues can obstruct the water flow.

The filter system consists of a coarse filter, a flat (Main filter) and a micro filter (fine filter).



1. Flat filter - Food and debris will be trapped by a jet on the lower spray arm.
 2. Coarse filter - Big debris, such as bone and glass that could clog the drain will be trapped in the coarse filter.
 3. To remove an item caught in this filter, gently squeeze the tabs on the top of this filter and lift it out.
 4. Micro filter - This filter holds soil and food residue in the sump area and prevents it from being redeposited on the dishes during a cycle.
- Inspect the filters for obstructions every time the dishwasher has been used.
 - By unscrewing the coarse filter, you can remove the filter system. Remove any food remnants and clean the filters under running water.

STEP 1 // Rotate the coarse filter anti-clockwise, filter, and then lift it up;



STEP 2 // lift the flat filter up

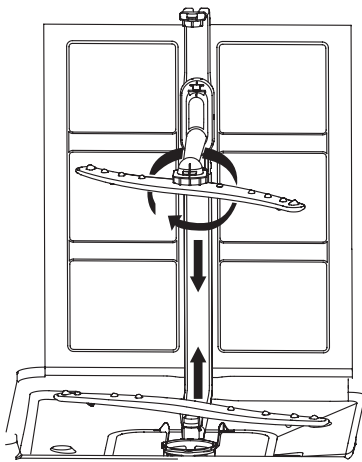


Repeat the steps in reverse to reinstall the filtering system.

FILTER ASSEMBLY

The filter assembly should be cleaned once a week with a brush. Then, reassemble the filter parts as shown in the figures above and reinsert the assembly in the dishwasher, positioning in its seat and pressing downward. Improper replacement of the filter may reduce the performance level of the appliance and damage dishes and utensils.

WARNING // Never run the dishwasher without the filters in place.



CLEANING THE SPRAY ARMS

It is necessary to clean the spray arms regularly to ensure efficient operation of the spray arm jets and bearings.

To remove the spray arms, screw off the nut clockwise to take out the washer on top of the spray arm and remove the arm. Wash the arms in warm soapy water and use a soft brush to clean the jets. Rinse thoroughly and replace.

CLEANING THE DISHWASHER

To clean the exterior and rubber parts of the dishwasher, do not use solvents or abrasive cleaning products. Use only a cloth and warm soapy water. To remove spots or stains from the surface of the interior, use a cloth dampened with water and a little white vinegar, or a cleaning product made specifically for dishwashers.

AFTER EVERY WASH

After every wash, leave the door slightly ajar so that moisture and odours are not trapped inside.

REMOVE THE PLUG

Before cleaning or performing maintenance, always remove the plug from the socket.

WHEN YOU GO ON HOLIDAY

When you go on holiday, it is recommended that you run a wash cycle with the dishwasher empty and then remove the plug from the socket, turn off the water supply and leave the door of the appliance slightly ajar. This will help the seals last longer and prevent odours from forming in the appliance.

TO REMOVE SPOTS FROM GLASSWARE:

1. Take out all metal utensils out of the dishwasher.
2. Do not add detergent.
3. Choose the longest cycle.
4. Start the dishwasher and allow it to run for about 18 to 22 minutes, then it will be in the main wash.
5. Open the door to pour 2 cups of white vinegar into the bottom of the dishwasher.
6. Close the door and let the dishwasher complete the cycle. If the vinegar does not work: Repeat as above, except use 1/4 cup (60 ml) of citric acid crystals instead of vinegar.

MOVING THE APPLIANCE

If the appliance must be moved, try to keep it in the vertical position. If absolutely necessary, it can be positioned on its back.

SEALS

One of the factors that cause odours to form in the dishwasher is food that remains trapped in the seals. Periodic cleaning with a damp sponge will prevent this.

TROUBLESHOOTING TABLE

PROBLEM	POSSIBLE CAUSES	WHAT TO DO
Dishes and flatware not clean	Improper program Improper basket loading	Select a stronger programme Make sure that the action of the detergent dispenser and spray arms are not blocked by large dishware.
Cloudiness on glassware	Combination of soft water and too much detergent	Use less detergent if you have soft water and select a shortest cycle to wash the glassware and to get them clean.
Yellow or brown film on inside surfaces	Tea or coffee stains	Using a solution of 1/2 cup of bleach and 3 cups of warm water to remove the stains by hand. WARNING // You have to wait for 20 minutes after a cycle to let the heating elements cool down before cleaning interior; otherwise, burns will happen.
	Iron deposits in water can cause an overall film	You have to call a water softener company for a special filter.
White film on inside surface	Hard water minerals	To clean the interior, use a damp sponge with dishwasher detergent and wear rubber gloves. Never use any other cleaner than dishwasher detergent for the risk of foaming or suds
The detergent dispenser lid cannot be closed properly	Clogged detergent residue is blocking the catch	Clean the detergent from the catch.
Detergent left in dispenser cups	Dishes block detergent cups	Re-loading the dishes properly.
Black or gray marks on dishes	Aluminum utensils have rubbed against dishes	Use a mild abrasive cleaner to eliminate those marks.
Dishwasher leaks	Overfill dispenser or rinse aid spills	Be careful not to overfill the rinse aid dispenser. Spilled rinse aid could cause oversudsing and lead to overflowing. Wipe away any spills with a damp cloth.
	Dishwasher isn't level	Make sure the dishwasher is level.
Stained tub interior	Detergent with colorant was used	Make sure that the detergent is the one without colorant.

WARNING! // If overflow occurs, turn off the main water supply before calling a service. If there is water in the base pan because of an overflow or small leak, the water should be removed before restarting the dishwasher.

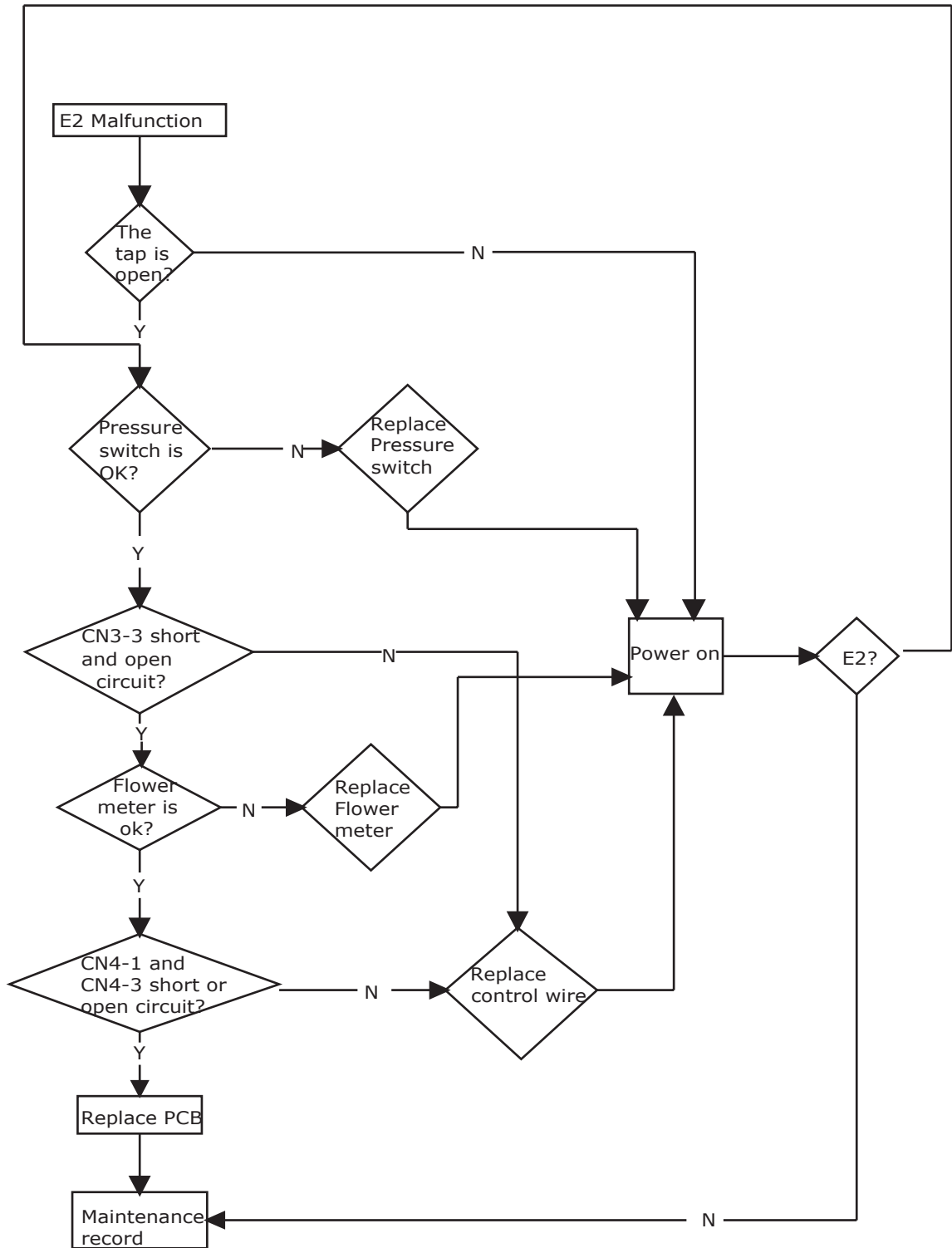
TROUBLESHOOTING TABLE

PROBLEM	POSSIBLE CAUSES	WHAT TO DO
Dishwasher doesn't run	Fuse blown, or the circuit breaker acted	Replace fuse or reset circuit breaker. Remove any other appliances sharing the same circuit with the dishwasher.
	Power supply is not turned on	Make sure the dishwasher is turned on and the door is closed securely. Make sure the power cord is properly plugged into the wall socket.
	Water pressure is low	Check that the water supply is connected properly and the water is turned on.
Drain pump doesn't stop	Overflow	The system is designed to detect an overflow. When it does, it shuts off the circulation pump and turns on the drain pump.
Noise	Some audible sounds are normal	Sound from detergent cup opening.
	Utensils are not secure in the baskets or something small has dropped into the basket	To ensure everything is secured in the dishwasher.
	Motor hums	Dishwasher has not been used regularly. If you do not use it often, remember to set it to fill and pump out every week, which will help keep the seal moist.
Suds in the tub	Improper detergent	Use only the special dishwasher detergent to avoid suds. If this occurs, open the dishwasher and let suds evaporate. Add 1 gallon of cold water to the tub. Close and latch the dishwasher, then start the "soak" wash cycle to drain out the water... Repeat if necessary.
	Spilled rinse agent	Always wipe up rinse agent spills immediately.

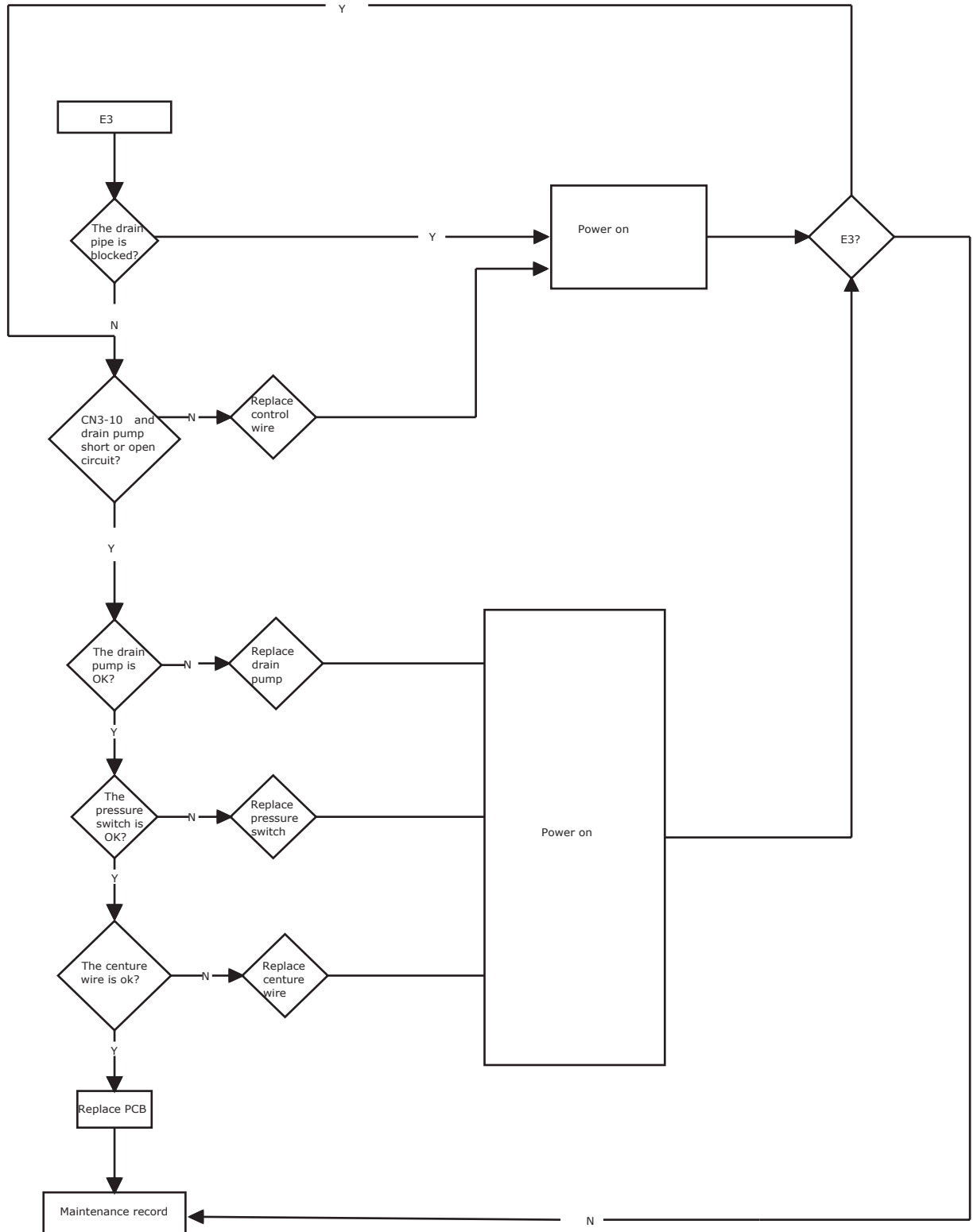
ERROR CODES

CODES	MEANINGS	POSSIBLE CAUSES
E1	Door open	The door is opened when the dishwasher is operating
E2	Water inlet	Water inlet malfunction
E3	Water drainage	Water drainage malfunction
E4	Temperature sensor	Temperature sensor malfunction
E5	Overflow/leakage	Overflow occurs/Water leakage occurs
E6	Water leakage	Water leakage occurs
E7	Heating element	Abnormal heating

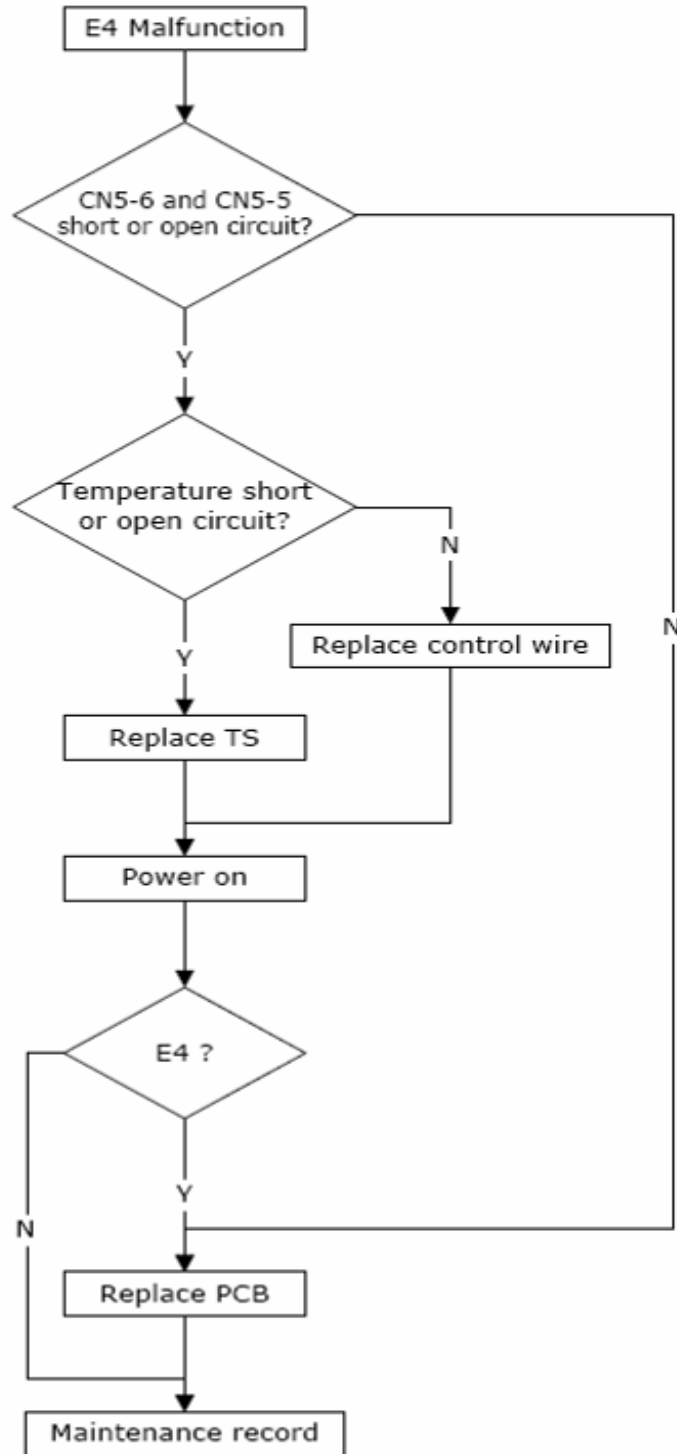
WATER INLET MALFUNCTION



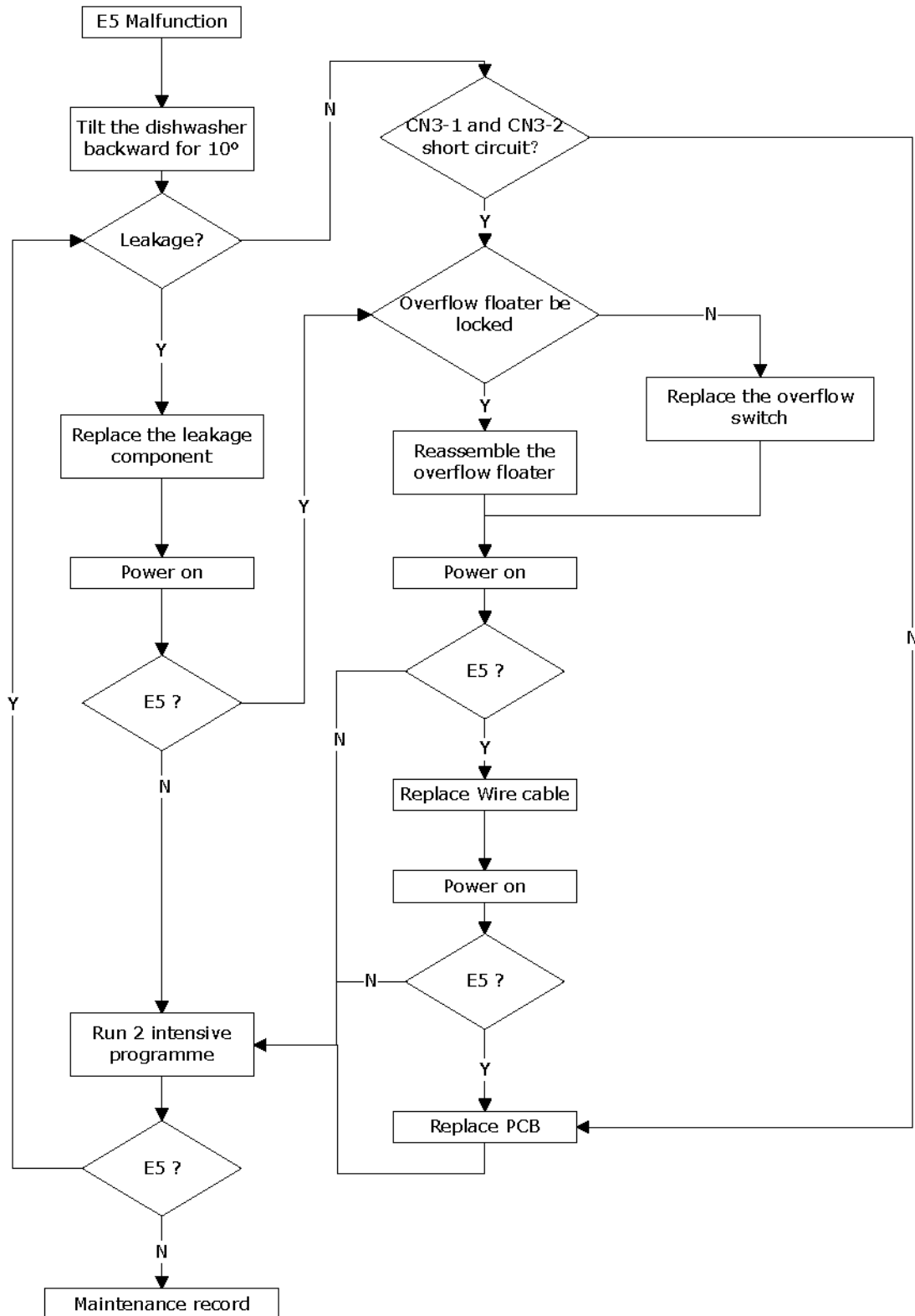
WATER DRAINAGE MALFUNCTION



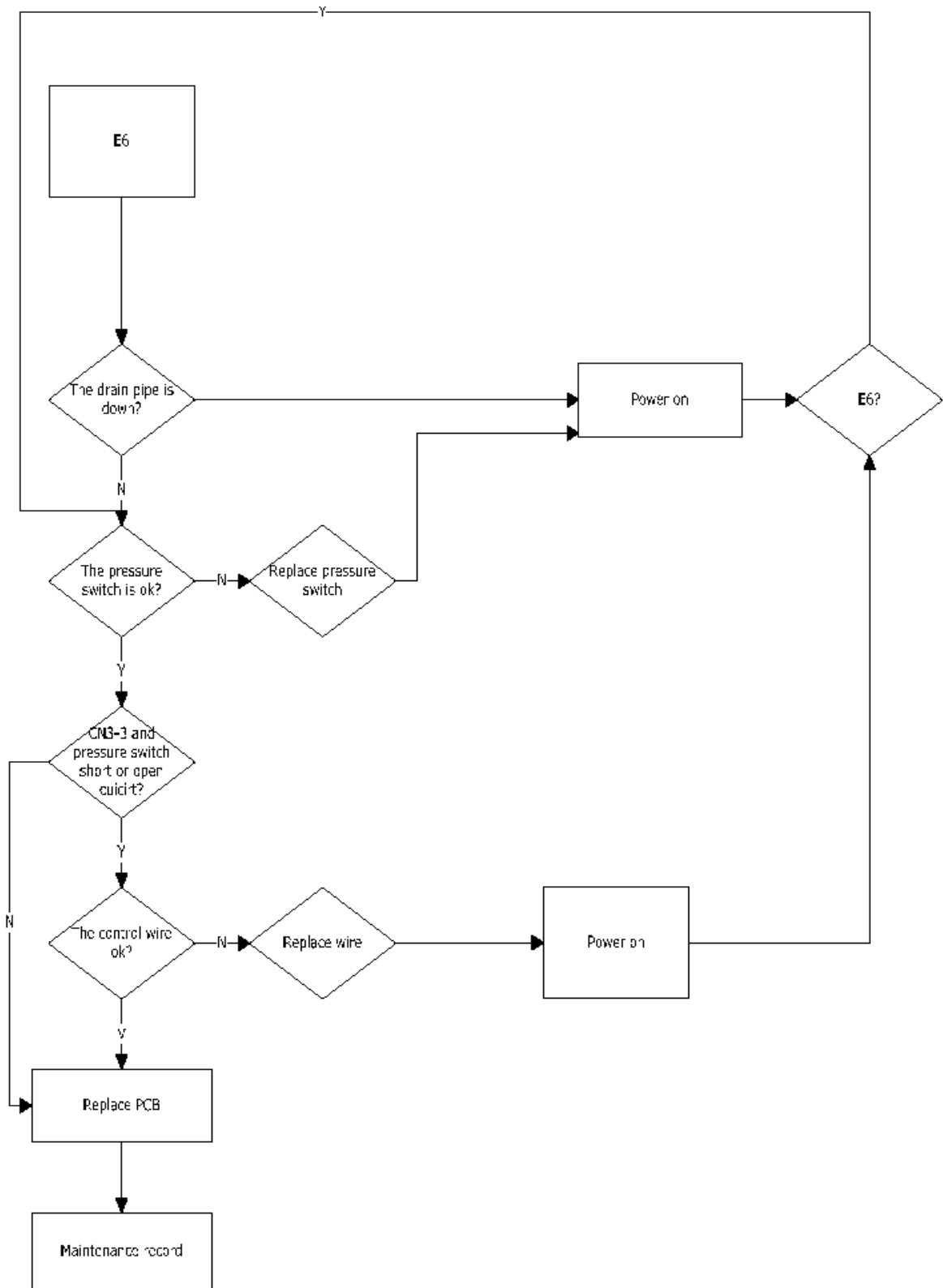
TEMPERATURE MALFUNCTION



OVERFLOW MALFUNCTION

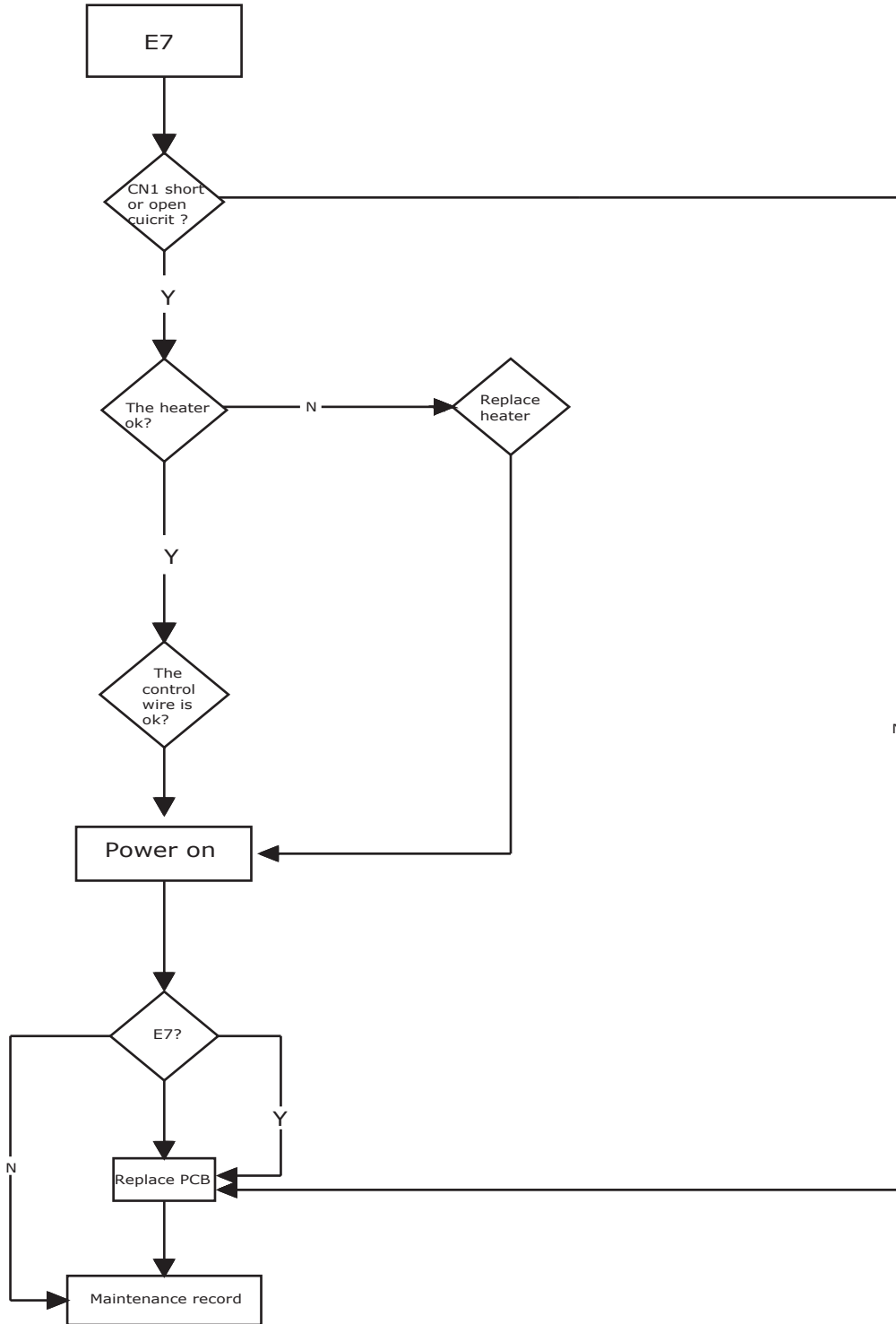


WATER LEAKAGE MALFUNCTION





HEATING ELEMENT MALFUNCTION





CONTACT DETAILS

AUSTRALIA

ARISIT PTY LIMITED

40-44 Mark Anthony Drive,
Dandenong South, VIC 3175,
Australia

P // 1300 762 219

F // 03 9768 0838

consumer.care@arisit.com

NEW ZEALAND

ARISIT PTY LIMITED

PO Box 68-140
Newton, Auckland 1145,
New Zealand

P // 09 306 1020

F // 09 302 0077

sales@aristonappliances.co.nz

Tisira is committed to ongoing research and development. Every effort has been made to ensure all information in this service manual is correct at time of going to print. Dimensions should be used as a reference only and actual dimensions should be taken from the physical product only.

Manufacturer reserves the right to change specifications without notice.

 **tisira**



www.tisira.com