



SERVICE MANUAL

300 // CERAMIC HOB - KNOBS TCK30

DISCLAIMER // THE INFORMATION CONTAINED IN THIS SERVICE MANUAL IS INTENDED FOR LICENSED PERSONNEL ONLY. PLEASE CONTACT ARISIT FOR FUTHER INFORMATION [AUST] 1300 762 219 [NEW ZEALAND] 09 306 1020

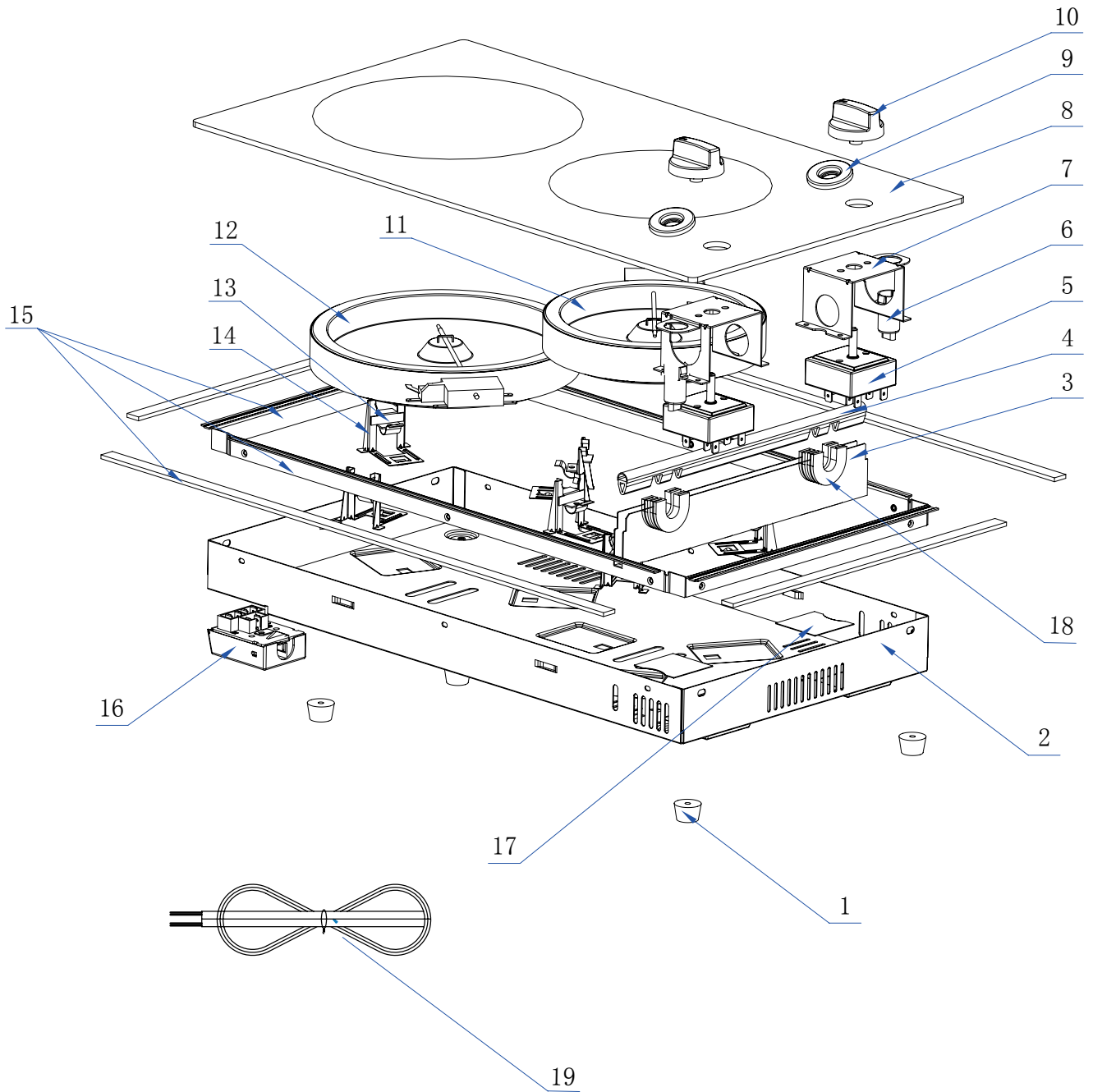
 **tisira**

Version 3.0



www.tisira.com

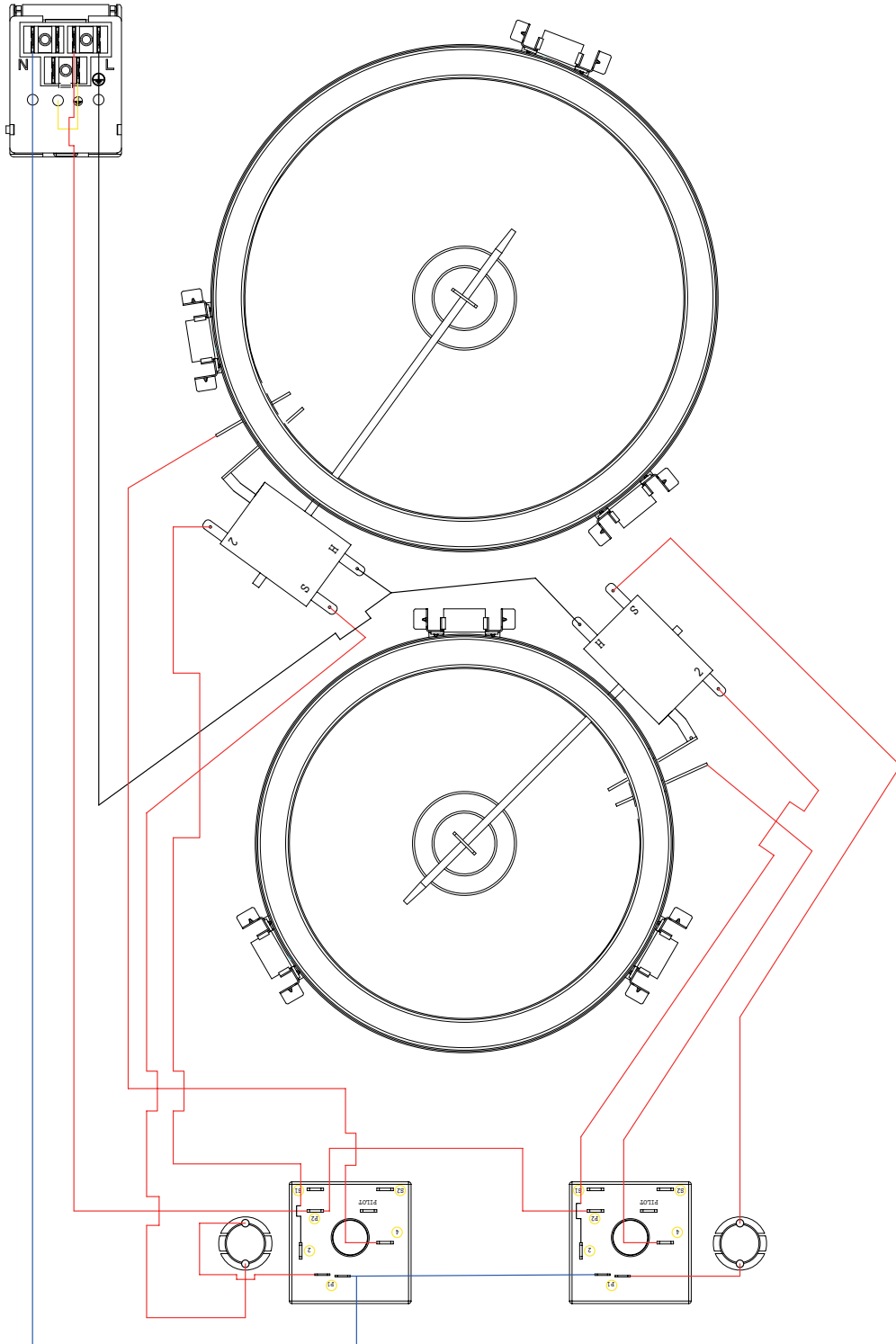
Exploded View



Parts List

ID	PART NUMBER	DESCRIPTION
1	303207500033	Feet
2	541400000013	Base Cover
3	541400200005	Heat Insulating Bracket
4	541700200002	Silicone Seal Strip
5	303203402005	Power Regulator
6	303208102005	Hob Indicator Assembly
7	303207400100	Knob Bracket
8, 15	2206901	Glass Assembly
9	303207103098	Waterproof Ring
10	541300300007	Knob Assembly
11	303203501013	Hot Plate - 1200W - Single Zone (165mm)
12	303203501014	Hot Plate - 1800W - Single Zone (200mm)
13	541400400002	Hob Fixer
14	541400200002	Spring Bracket
16	541600400002	Junction Box
17	303207900004	Insulation Plate
18	541700200004	Silicone Gasket
19	541800000007	Power Cord

Wiring Diagram





CONTACT DETAILS

AUSTRALIA

ARISIT PTY LIMITED

40-44 Mark Anthony Drive,
Dandenong South, VIC 3175,
Australia

P // 1300 762 219

F // 03 9768 0838

consumer.care@arisit.com

NEW ZEALAND

ARISIT PTY LIMITED

PO Box 68-140
Newton, Auckland 1145,
New Zealand

P // 09 306 1020

F // 09 302 0077

sales@aristonappliances.co.nz

Tisira is committed to ongoing research and development. Every effort has been made to ensure all information in this service manual is correct at time of going to print. Dimensions should be used as a reference only and actual dimensions should be taken from the physical product only.

Manufacturer reserves the right to change specifications without notice.



t tisira



www.tisira.com