

# Electrolux

ELECTROLUX HOME PRODUCTS PTY LTD

ABN 51 004 762 341

Technical Publication N° RH1067

Issue: 1

Date: 04/20

## ***PARTS & VIEWS***

*Westinghouse*

***Rangehood  
(Pyramid)***

**MODEL**

**WRC604WC**

**PNC**

**956004100 00**

# MAINTENANCE LEVEL CHANGE SUMMARY

|           |                    |                             |
|-----------|--------------------|-----------------------------|
| <b>ML</b> | <b>Description</b> | <b>Product Release Date</b> |
| 00        | First Release      | 06/20                       |

## MODEL NUMBER IDENTIFICATION

| FREE-STANDING COOKERS  |  |   |  |  |   |  |   |   |   |   |
|--|--|---|--|--|---|--|---|---|---|---|
| W  | B  | E   | S  | #  | #   | #  | W   | A   | R   | R   |
| Brand  | Construction   | Oven Fuel Type  | Added Features   | Width  | Hob Type  | Specification Level  | Colour  | Series  | Side Opening Door Type                          | Gas Type  |
| W = Westinghouse<br>C = Chef<br>E = Electrolux<br>Z = Zanussi<br>S = Simpson | E = Elevated Cooker<br>F = Front Control Freestanding Cooker<br>L = Rear Control Freestanding Cooker | E = Electric<br>G = Gas   | Leave blank for all except the below:<br>S = Side Opening Door<br>P = Pyro   | 5 = 50 - 54cm<br>6 = 60 - 60cm<br>7 = 70 - 70cm<br>8 = 80 - 80cm<br>9 = 90 - 90cm<br>1 = 100cm and above   | IF FUEL TYPE = G<br>0 = No wok<br>1 = Wok<br>2<br>3<br>4<br>5<br>6<br>7<br>8<br>9 = Highest Spec  | Even = GIO, Odd = Sep Grill<br>0 = Lowest Spec<br>1<br>2<br>3<br>4<br>5<br>6<br>7<br>8<br>9 = Highest Spec | W = White<br>S = Stainless Steel<br>B = Black                     | A = SAFR<br>B = 1st series change<br>C = 2nd series change<br>etc | L = Left Hand Opening<br>R = Right Hand Opening | LP = Liquefied Petroleum<br>NG = Natural Gas    |
| BUILT-IN OVENS   |  |   |  |  |   |  |   |   |   |   |
| W  | B  | E   | S  | #  | #   | #  | W   | A   | R   | R   |
| Brand  | Construction   | Oven Fuel Type  | Added Features   | Width  | Cavity Type   | Specification Level  | Colour  | Series  | Gas Type  | Side Opening Door Type                          |
| W = Westinghouse<br>C = Chef<br>E = Electrolux<br>Z = Zanussi<br>S = Simpson | V = Built-in oven  | E = Electric<br>G = Gas   | Leave blank for all except the below:<br>S = Side Opening Door<br>M = Microwave<br>P = Pyro  | 3 = 30cm - 30cm<br>4 = 40cm - 40cm<br>5 = 50cm - 50cm<br>6 = 60cm - 60cm<br>7 = 70cm - 70cm<br>8 = 80cm - 80cm<br>9 = 90cm - 90cm<br>1 = 100cm - 110cm<br>2 = 120 cm + | 1 = Single<br>2 = Duo<br>3 = Double<br>4 = Combo Oven<br>5 = Sep grill and bench<br>6 = Sep grill wall oven<br>7 = Compact<br>8<br>9 = Highest Spec | 0 = Lowest Spec<br>1<br>2<br>3<br>4<br>5<br>6<br>7<br>8<br>9 = Highest Spec                                | W = White<br>S = Stainless Steel<br>B = Black                     | A = SAFR<br>B = 1st series change<br>C = 2nd series change<br>etc | LP = Liquefied Petroleum<br>NG = Natural Gas    | L = Left Hand Opening<br>R = Right Hand Opening |
| BUILT-IN HOBES   |  |   |  |  |   |  |   |   |   |   |
| W  | B  | #   | #  | #  | #   | W  | A   |   |   |   |
| Brand  | Construction   | Hob Type  | Width  | No. Burners/Zones  | Specification Level   | Colour   | Series  |   |   |   |
| W = Westinghouse<br>C = Chef<br>E = Electrolux<br>Z = Zanussi<br>S = Simpson | H = Hob  | IF ELECTRIC HOB:<br>S = Solid<br>C = Ceramic<br>I = Induction<br>R = Radiant Coil<br>M = Mix<br>IF GAS HOB:<br>G = Gas<br>D = Dual Fuel | 3 = 30cm or below<br>4 = 40cm - 40cm<br>5 = 50cm - 50cm<br>6 = 60cm - 60cm<br>7 = 70cm - 70cm<br>8 = 80cm - 80cm<br>9 = 90cm - 90cm<br>1 = 100cm - 110cm<br>2 = 120 cm and above | 1<br>2<br>3<br>4<br>5<br>6<br>7<br>8<br>9  | 0 = Lowest Spec<br>1<br>2<br>3<br>4<br>5<br>6<br>7<br>8<br>9 = Highest Spec   | W = White<br>S = Stainless Steel<br>B = Black  | A = SAFR<br>B = 1st series change<br>C = 2nd series change<br>etc |   |   |   |

# CONTENTS

|  |   |
|--|---|
| MAINTENANCE LEVEL CHANGE SUMMARY ..... | 2 |
| MODEL NUMBER IDENTIFICATION .....      | 2 |

## EXPLODED VIEWS & PARTS LISTS

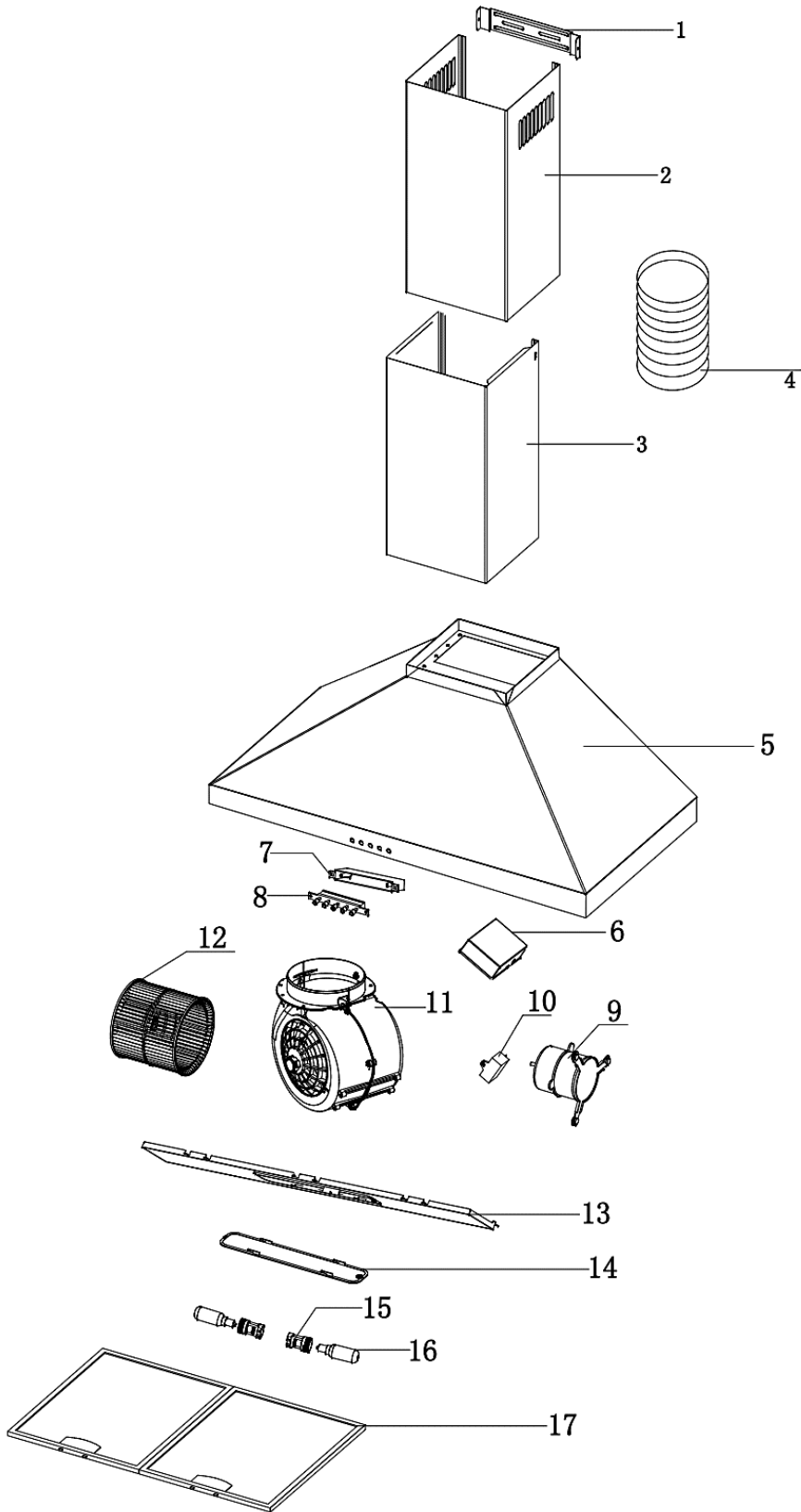
|                                  |   |
|----------------------------------|---|
| MODEL: WRC604WC .....            | 4 |
| COMPLETE RANGEHOOD ASSEMBLY..... | 4 |
| MODEL: WRC604WC .....            | 6 |
| CIRCUIT DIAGRAM.....             | 6 |

**NOTE: In Parts Listings**

|               |          |                               |
|---------------|----------|-------------------------------|
| <b>N.I.</b>   | <b>=</b> | <b>Not Illustrated</b>        |
| <b>N.P.A.</b> | <b>=</b> | <b>No Part Available</b>      |
| <b>N.P.N.</b> | <b>=</b> | <b>Not Used on this Model</b> |

**MODEL: WRC604WC**

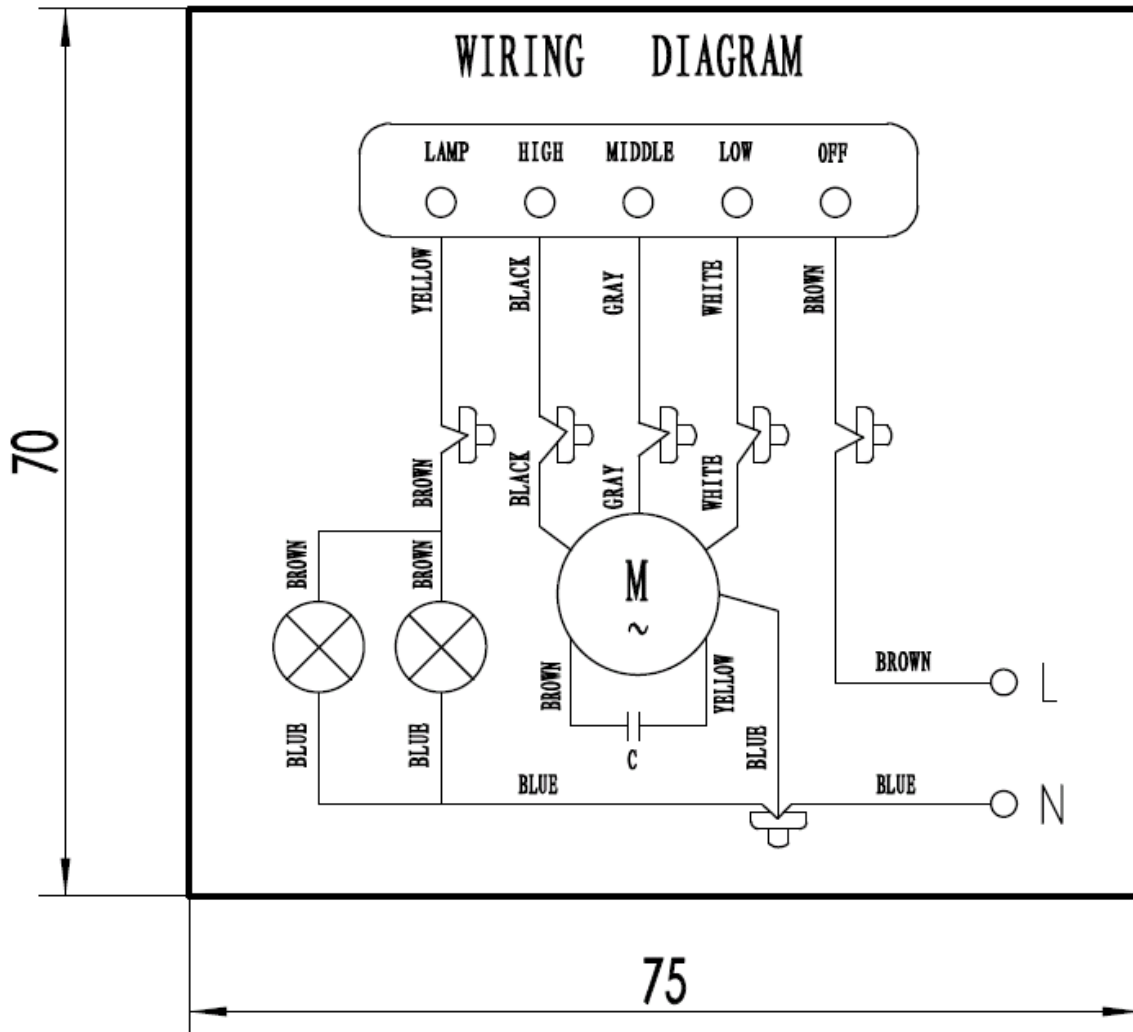
**COMPLETE RANGEHOOD ASSEMBLY**



| ITEM | PART N°        | DESCRIPTION                 | QTY |
|------|----------------|-----------------------------|-----|
| 1    | 09010600646202 | Flue cover mounting bracket | 1   |
| 2    | 09010400352202 | Flue cover (Top)            | 1   |
| 3    | 09010400351202 | Flue cover(Bottom)          | 1   |
| 4    | 09080100006    | Exhaust duct                | 1   |
| 5    | N.P.A.         | Hood body ass               | 1   |
| 6    | 09010300074    | Wiring box                  | 1   |
| 7    | 09020300101    | switch box                  | 1   |
| 8    | 09040300084    | Push button                 | 1   |
| 9    | 09040100268    | motor                       | 1   |
| 10   | 09040200030    | Capacitor                   | 1   |
| 11   | 09020200125    | Blower cover (Left Part)    | 1   |
|      | 09020200126    | Blower cover (Right Part)   | 1   |
| 12   | 09020700060    | Fan blade                   | 1   |
| 13   | 09010700164202 | Lamp plate                  | 1   |
| 14   | 09020000106    | Lamp cover                  | 1   |
| 15   | 09040400016    | Lamp holder                 | 2   |
| 16   | 09040400094    | LED lamp                    | 2   |
| 17   | 09070100258    | Filter                      | 2   |

MODEL: WRC604WC

CIRCUIT DIAGRAM



**WARNING**

IT IS ILLEGAL FOR PERSONS OTHER THAN LICENSED ELECTRICAL MECHANICS OR PERSONS AUTHORISED BY LEGISLATION TO WORK ON THE FIXED WIRING OF ANY ELECTRICAL INSTALLATION. PENALTIES FOR CONVICTION ARE SEVERE.

**IMPORTANT SAFETY NOTICE**

This diagram has been prepared for use by electrically qualified service technicians. Electrolux cannot be held responsible for the interpretation of its service publications nor for any injury or damage that may occur in connection with their use.

| <b>Publication Version Control Chart</b> |                   |             |
|--|-------------------|-------------|
| <b>Issue Number</b>                      | <b>Reason</b>     | <b>Date</b> |
| 1  | Original Document | 08-04-2020  |