

# Electrolux

ELECTROLUX HOME PRODUCTS PTY LTD

ABN 51 004 762 341

Technical Publication N° RH1056

Issue: 3

Date: 01/23

## ***PARTS & VIEWS***

*Westinghouse*

### ***Canopy Rangehood***

<b>MODEL</b>	<b>PNC</b>
<b>WRCG914BC</b>	<b>956004075 00</b>

## MAINTENANCE LEVEL CHANGE SUMMARY

ML	Description	Product Release Date
00	First release	03/20

# CONTENTS

**MAINTENANCE LEVEL CHANGE SUMMARY .....2**

## **EXPLODED VIEWS & PARTS LISTS**

**MODEL: WRCG914BC .....4**  
RANGEHOOD ASSEMBLY .....4

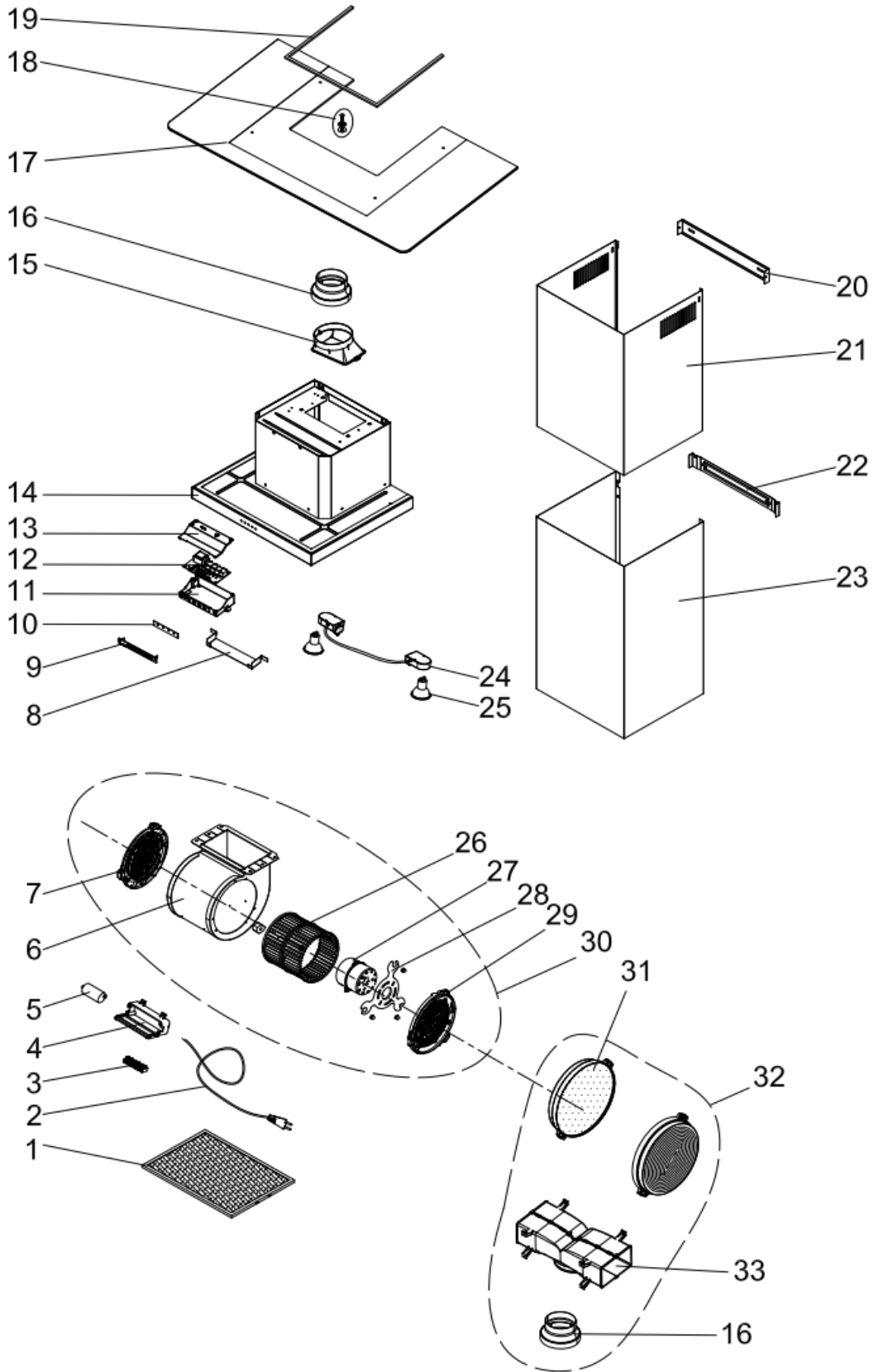
**MODEL: WRCG914BC .....6**  
CIRCUIT DIAGRAM .....6

**NOTE: In Parts Listings**

<b>N.I.</b>	<b>=</b>	<b>Not Illustrated</b>
<b>N.P.A.</b>	<b>=</b>	<b>No Part Available</b>
<b>N.P.N.</b>	<b>=</b>	<b>Not Used on this Model</b>

**MODEL: WRCG914BC**

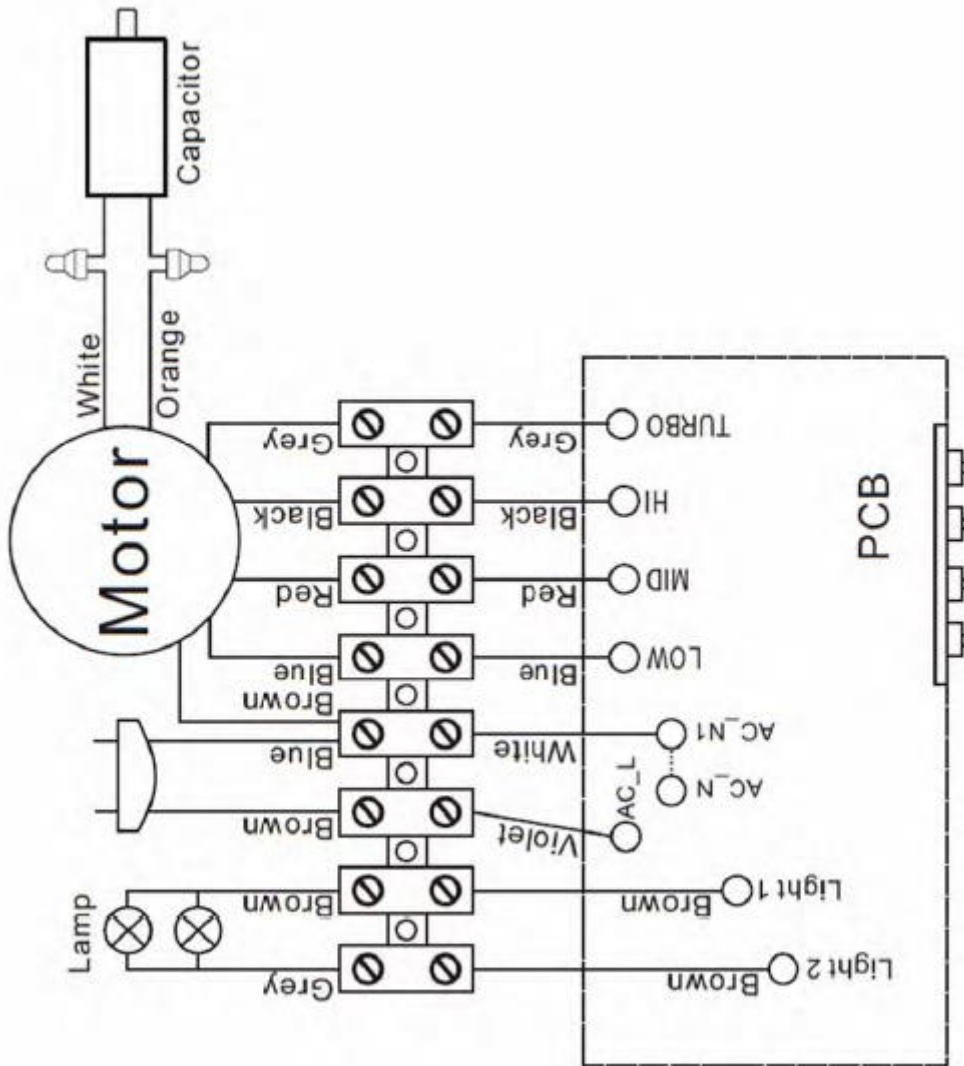
**RANGEHOOD ASSEMBLY**



ITEM	PART No.	DESCRIPTION	QTY
1	<b>E653030</b>	FILTER FRAME, PV METAL WITH NEUTRAL CLIP, 5 LAYERS	1
2	<b>E601025</b>	POWER CORD SAA (AUS)-HOOD-S FOR EHP	1
3	<b>E611000</b>	TERMINAL BLOCK 500/8	1
4	<b>E607080</b>	COVER, CONNECTION BOX	1
5	<b>E621040</b>	CAPACITOR 6.5UF 450V P2	1
6	<b>N.P.A.</b>	COVER, FLUE LOWER HOOD	1
7	<b>E607170</b>	COVER, MOTOR LEFT (BETA INLET RING WITH GRILLE)	1
8	<b>N.P.A.</b>	PV SWITCH BRACKET	1
9	<b>E607375</b>	PAD BUTTON SELECT (PLASTIC PANEL)	1
10	<b>E607380</b>	SHEET PROTECTION BUTTON SELECT.	1
11	<b>N.P.A.</b>	BOX, SWITCH CONTROL	1
12	<b>63905130</b>	PCB SWITCH, CONTROL	1
13	<b>N.P.A.</b>	COVER, SWITCH CONTROL	1
14	<b>N.P.A.</b>	BODY, RANGEHOOD	1
15	<b>E607410</b>	AIR OUTLET, 150 IMPROVED OUTLET BASE (WITH BACK DRAUGHT)	1
16	<b>E607210</b>	ADAPTER 150 TO 120 REDUCER	1
17	<b>E694155</b>	PANEL, GLASS	1
18	<b>E254005</b>	KIT GLASS FIXING SCREWS (SCREW LENGTH=16mm)	4 set
19	<b>E607400</b>	LENS LIGHT STRIP CANOPY	1
20	<b>C600015</b>	BRACKET FIX COVER FLUE UPPER	1
21	<b>E629465</b>	DUCT COVER, UPPER	1
22	<b>C600013</b>	BRACKET FIX COVER FLUE SUPPORT	1
23	<b>E629470</b>	DUCT COVER, LOWER	1
24	<b>15107000</b>	HOLDER, LAMP HALOGEN	1
25	<b>69412725</b>	LED LAMP GU10-3.5W	1
26	<b>E607075</b>	FAN, TURBINE BLOWER (Part of 30)	1
27	<b>64900330</b>	MOTOR 230V/50HZ 330W (RESETTABLE FUSE) (Part of 30)	1
28	<b>E629040</b>	BRACKET MOTOR MOUNTING (Part of 30)	1
29	<b>E607165</b>	COVER MOTOR (RIGHT) (Part of 30)	1
30	<b>26000920</b>	MOTOR ASSEMBLY 230V/330W (RESET) (Inc: 26, 27, 28 & 29)	1
31	<b>E251005 (AR610CF)</b>	CHARCOAL FILTER (OPTIONAL)	2
32	<b>AR610RK</b>	VENT RECIRCULATING KIT SET (OPTIONAL)	1
33	<b>E607175</b>	KIT RECIRCULATING TEE - PIECE (OPTIONAL) (Part of 32)	1

**MODEL: WRCG914BC**

CIRCUIT DIAGRAM



**WARNING**

IT IS ILLEGAL FOR PERSONS OTHER THAN LICENSED ELECTRICAL MECHANICS OR PERSONS AUTHORISED BY LEGISLATION TO WORK ON THE FIXED WIRING OF ANY ELECTRICAL INSTALLATION. PENALTIES FOR CONVICTION ARE SEVERE.

**IMPORTANT SAFETY NOTICE**

This diagram has been prepared for use by electrically qualified service technicians. Electrolux cannot be held responsible for the interpretation of its service publications nor for any injury or damage that may occur in connection with their use.

<b>Publication Version Control Chart</b>		
<b>Issue Number</b>	<b>Reason</b>	<b>Date</b>
1	Original Document	14-02-2020