



Electrolux

ELECTROLUX HOME PRODUCTS PTY LTD

ABN 51 004 762 341

Technical Publication N° RH1055

Issue: 1

Date: 01/20

PARTS & VIEWS

Westinghouse

Canopy Rangehood

MODEL

WRC904SC

PNC

956004078 00

MAINTENANCE LEVEL CHANGE SUMMARY

ML	Description	Product Release Date
00	First release	03/20

CONTENTS

MAINTENANCE LEVEL CHANGE SUMMARY2

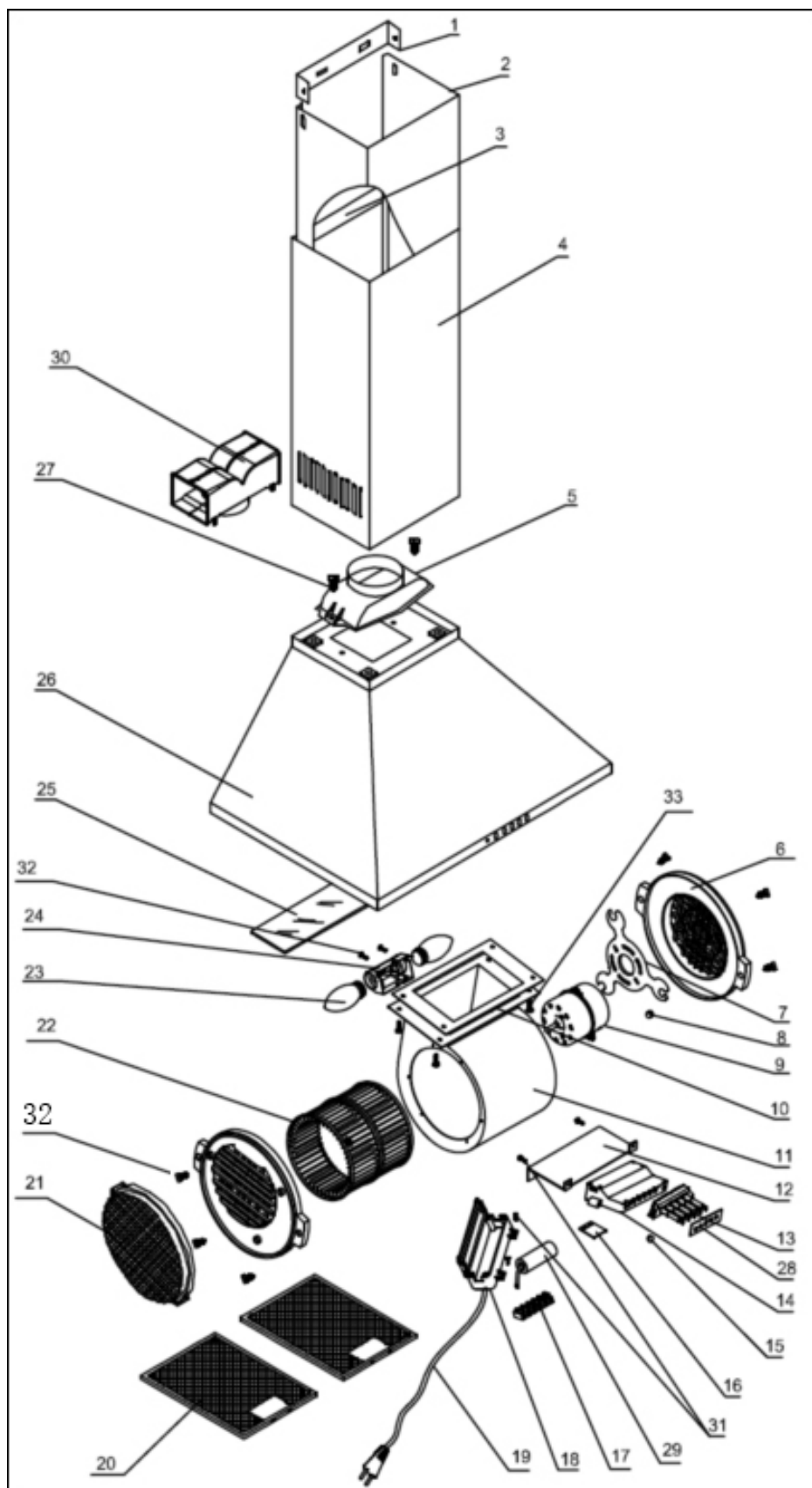
EXPLODED VIEWS & PARTS LISTS

MODEL: WRC904SC4
 RANGEHOOD ASSEMBLY4

MODEL: WRC904SC6
 CIRCUIT DIAGRAM6

NOTE: In Parts Listings **N.I.** = **Not Illustrated**
 N.P.A. = **No Part Available**
 N.P.N. = **Not Used on this Model**

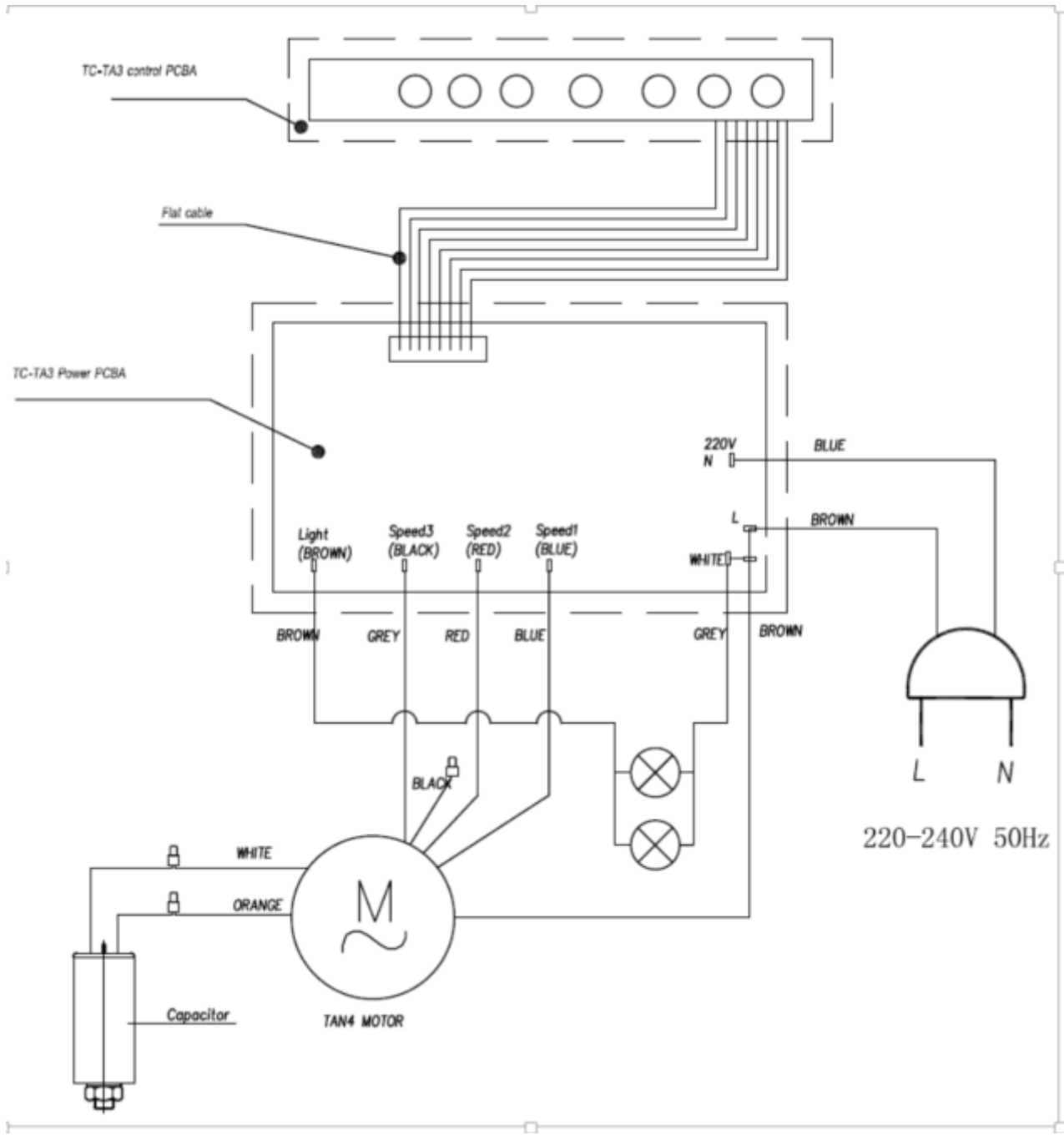
MODEL: WRC904SC
RANGEHOOD ASSEMBLY



ITEM	PART Nº	DESCRIPTION	QTY
1	RS60001	BRACKET MOUNT, FLUE UPPER (Includes Item 3)	1
2	RS60002	COVER, UPPER ST/ST	1
3	RS60003	BRACKET MOUNT, FLUE LOWER (Included with Item 1)	1
4	RS60004	COVER, LOWER ST/ST	1
5	E607135	ADAPTOR, FLUE, 120mm (OUTLET WITH BACK DRAUGHT)	1
6	RS60006	COVER, MOTOR INLET	2
7	RS60007	BRACKET, MOTOR	1
8	RS60008	CUSHION, MOTOR	3
9	64900130	MOTOR 220V 50HZ	1
10	RS60010	MAT SEALED RUBBER	1
11	RS60011	METAL CHAMBER MOTOR	1
12	N.P.A.	SWITCH BRACKET	1
13	RS60045	Q PUSH SWITCH PCB	1
14	E610032	SWITCH BOX	1
15	E610019	LENS PILOT LAMP	1
16	E610034	PCB	1
17	RS60014	TERMINAL BLOCK	1
18	RS60015	WIRE BOX	1
19	RS60016	POWER CORD	1
20	RS60017	FILTER, HIGH AIR FLOW, CANOPY	3
21	ACF-002	FILTER, CHARCOAL (OPTIONAL)	2
22	RS60019	FAN, TURBO, MOTOR	1
23	69412480	LED 5.5W E14	2
24	RS60020	HOLDER LAMP	1
25	RS60021	COVER, LAMP	1
26	N.P.A.	METAL CASING	1
27	N.P.A.	SCREW M4 x 12	2
28	E610035	GASKET, BUTTON, PUSH SWITCH	1
29	RS60030TA	CAPACITOR	1
30	RS60031	RECIRCULATING KIT, (T PIECE) (OPTIONAL)	1 set
31	N.P.A.	SCREW ST 3.5x9.5mm	6
32	62700540	SCREW ST3.5*18 (E7Y) HARDEN ZINC-PLATED	6

MODEL: WRC904SC

CIRCUIT DIAGRAM



WARNING
IT IS ILLEGAL FOR PERSONS OTHER THAN LICENSED ELECTRICAL MECHANICS OR PERSONS AUTHORISED BY LEGISLATION TO WORK ON THE FIXED WIRING OF ANY ELECTRICAL INSTALLATION. PENALTIES FOR CONVICTION ARE SEVERE.

IMPORTANT SAFETY NOTICE
This diagram has been prepared for use by electrically qualified service technicians. Electrolux cannot be held responsible for the interpretation of its service publications nor for any injury or damage that may occur in connection with their use.

Publication Version Control Chart		
Issue Number	Reason	Date
1	Original Document	14-02-2020