

Electrolux

ELECTROLUX HOME PRODUCTS PTY LTD

ABN 51 004 762 341

Technical Publication N° RH1054

Issue: 1

Date: 01/20

PARTS & VIEWS

Westinghouse

Canopy Rangehood

MODEL	PNC
WRC614SC	956004076 00
WRC914SC	956004077 00

MAINTENANCE LEVEL CHANGE SUMMARY

ML	Description	Product Release Date
00	First release	03/20

CONTENTS

MAINTENANCE LEVEL CHANGE SUMMARY.....2

EXPLODED VIEWS & PARTS LISTS

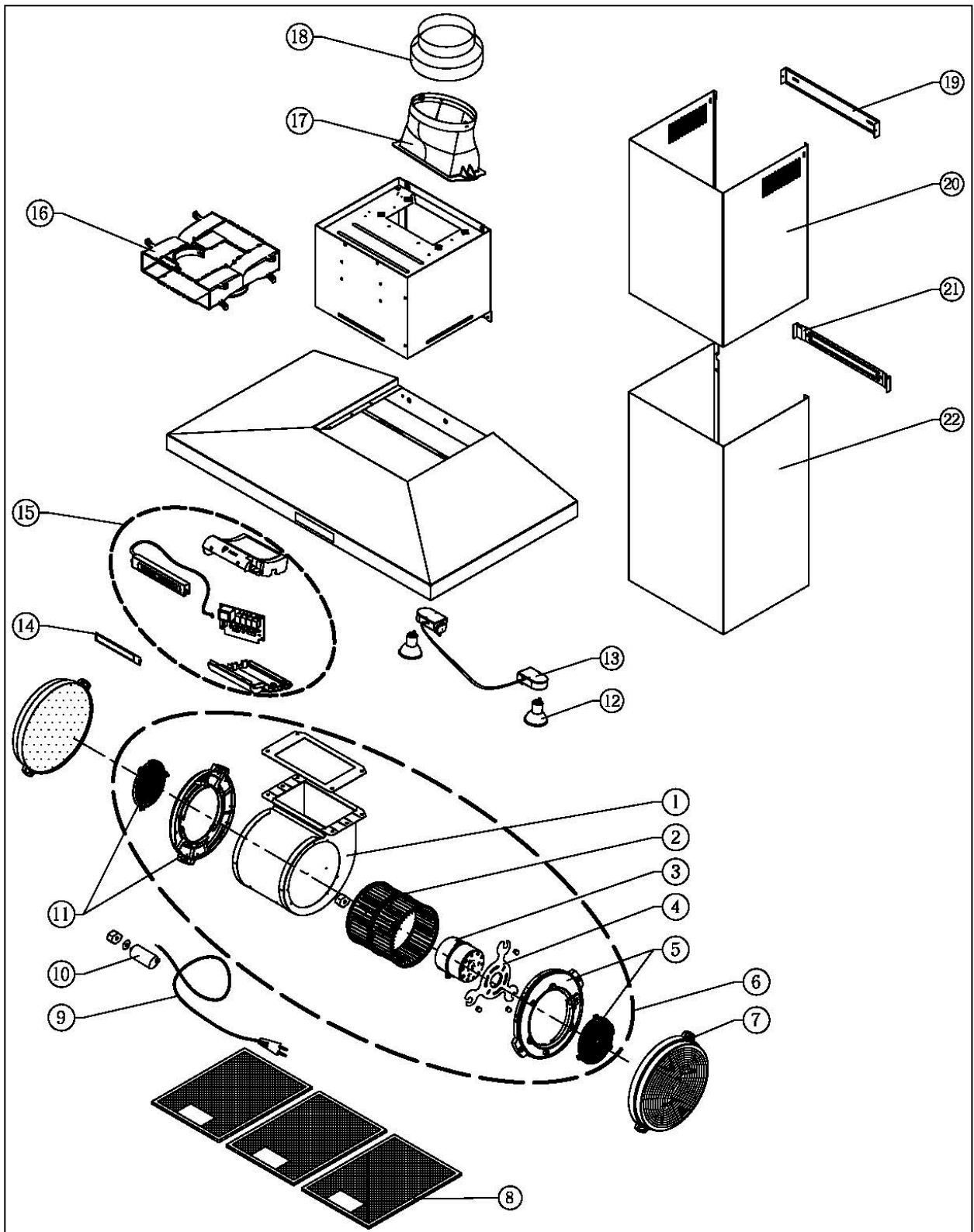
MODEL: WRC614SC & WRC914SC.....4
RANGEHOOD ASSEMBLY.....4

MODEL: WRC614SC & WRC914SC.....6
CIRCUIT DIAGRAM.....6

NOTE: In Parts Listings **N.I.** = **Not Illustrated**
 N.P.A. = **No Part Available**
 N.P.N. = **Not Used on this Model**

MODEL: WRC614SC & WRC914SC

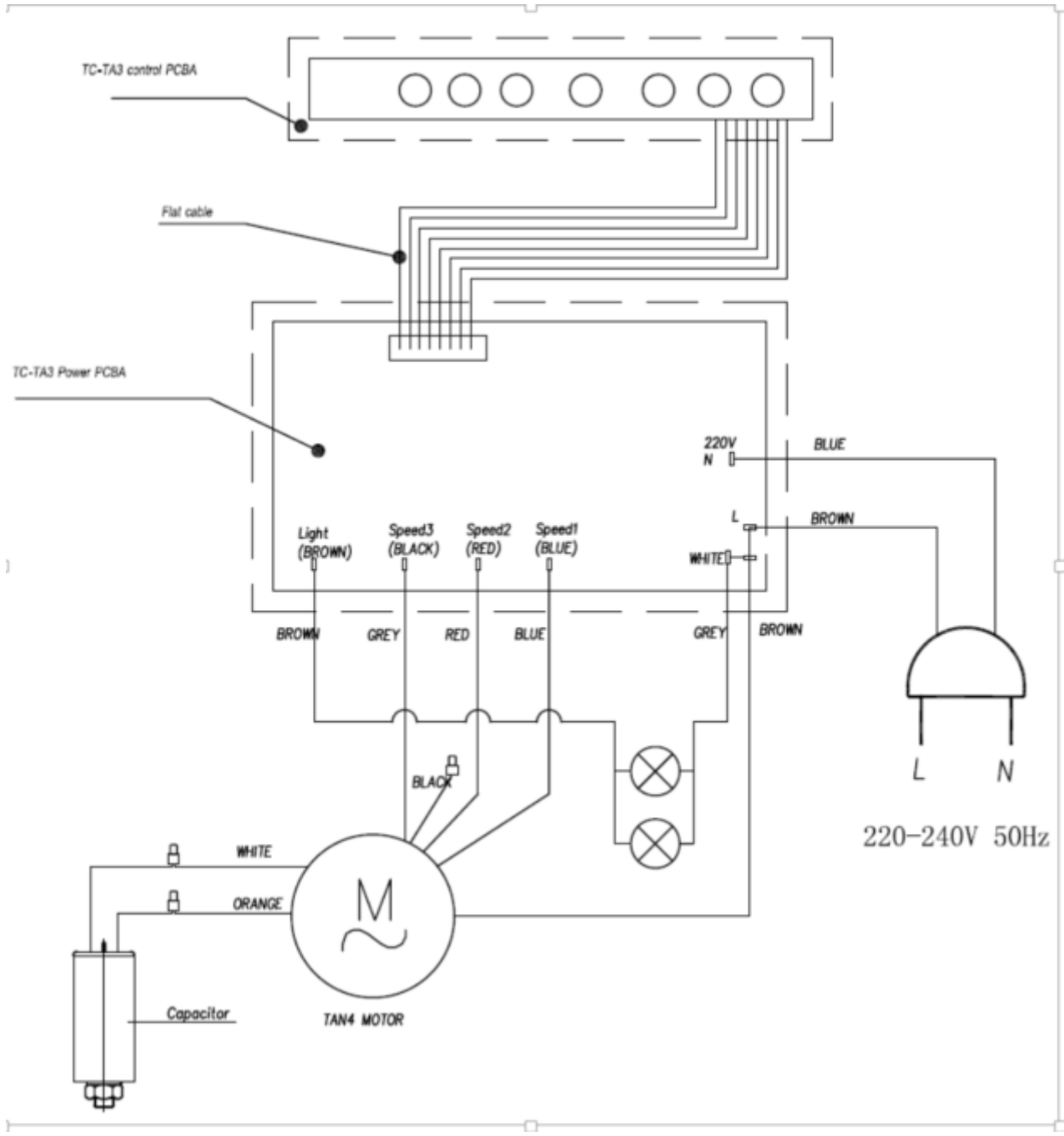
RANGEHOOD ASSEMBLY



ITEM	PART N°	DESCRIPTION	600	900
1	N.P.A.	COVER, FLUE LOWER HOOD	1	1
2	E607075	FAN TURBINE BLOWER	1	1
3	64900330	MOTOR 230V/50HZ 330W (RESETTABLE FUSE)	1	1
4	N.P.A.	BRACKET, MOTOR MOUNTING	1	1
5	N.P.A.	COVER, MOTOR (RIGHT)	1	1
6	26000920	MOTOR ASSEMBLY (Inc: 1,2,3,4 & 5)	1 set	1 set
7	E251005	FILTER, CHARCOAL, BETA BL (OPTIONAL)	2	2
8	E653010	FILTER, K METAL, NEUTRAL CLIP	2	3
	E653010	FILTER, K METAL, NEUTRAL CLIP		
9	E601025	POWER CORD SAA (AUS)-HOOD-S FOR EHP	1	1
10	62100560	CAPACITOR 6.5UF 450V	1	1
11	N.P.A.	COVER MOTOR (LEFT) (BETA INLET RING WITH GRILLE)	1	1
12	69412725	LED LAMP-GU10-3.5W	2	2
13	E251035	HALOGEN LAMP HOLDER ASSEMBLY 2	1	1
14	60704290	CONTROL PANEL FOR TC SWITCH WITH ELUX SILKSCREEN-HOOD-CYLINDER TC	1	1
15	63900920	SWITCH COMPONENT ASSEMBLY, TC TA3-BA (AMBER)	1 set	1 set
16	E607175	VENT RECIRCULATING KIT (OPTIONAL)	1 set	1 set
17	E607410	ADAPTER, FLUE, 150 IMPROVED OUTLET BASE (WITH BACK DRAUGHT)	1	1
18	E607210	ADAPTER 150 TO 120 REDUCER (OPTIONAL)	1	1
19	E629095	BRACKET, FIXING PLATE-HOOD	1	1
20	E629105	COVER UPPER, S.STEEL 450MM-HOOD	1	1
21	E629100	BRACKET, FIXING PLATE-HOOD	1	1
22	E629110	COVER LOWER, HOOD, S.STEEL	1	1

MODEL: WRC614SC & WRC914SC

CIRCUIT DIAGRAM



WARNING
IT IS ILLEGAL FOR PERSONS OTHER THAN LICENSED ELECTRICAL MECHANICS OR PERSONS AUTHORISED BY LEGISLATION TO WORK ON THE FIXED WIRING OF ANY ELECTRICAL INSTALLATION. PENALTIES FOR CONVICTION ARE SEVERE.

IMPORTANT SAFETY NOTICE
This diagram has been prepared for use by electrically qualified service technicians. Electrolux cannot be held responsible for the interpretation of its service publications nor for any injury or damage that may occur in connection with their use.

Publication Version Control Chart		
Issue Number	Reason	Date
1	Original Document	14-01-2020