



ELECTROLUX HOME PRODUCTS PTY LTD
ABN 51 004 762 341

Technical Publication N° RE280

Issue: 1
Date: 11/09

WEB SITE ADDRESS: www.partnship.com.au

WESTINGHOUSE

REFRIGERATOR

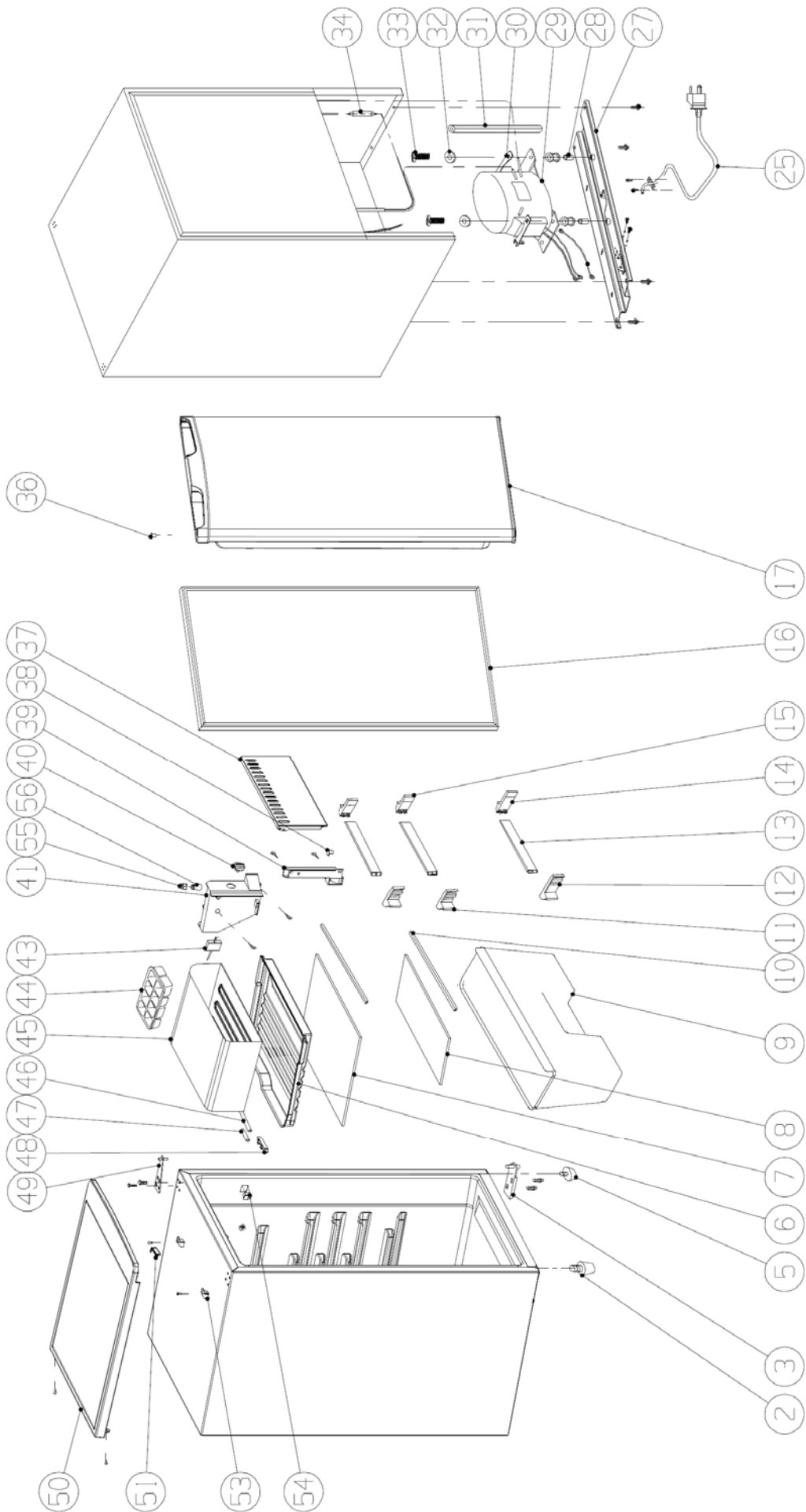
SECTION	PAGE N°
EXPLODED VIEW & PARTS LIST	2 & 3
WIRING DIAGRAM	4

MODEL:

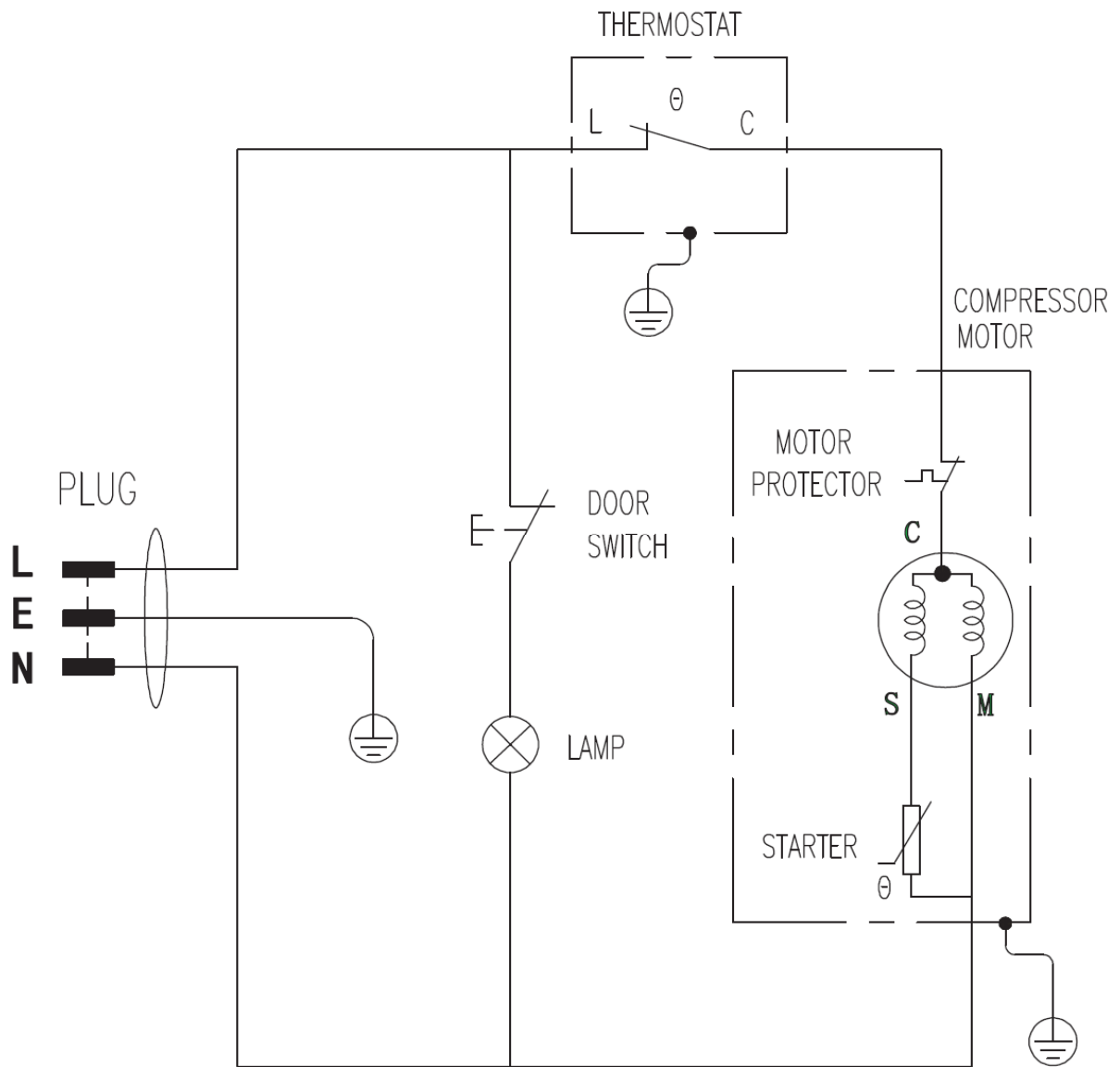
WIM1000WC

MODEL: WIM1000WC

EX. VIEW DRAWING 7393
COMPLETE ASSEMBLY



ITEM	PART NUMBER	DESCRIPTION Ex. 7393	QTY
2	1090224	Leg Assembly, Adjustable-Long	1
3	1090182	Hinge Assembly, Lower	1
5	1090223	Leg Assembly, Adjustable-Short	1
6	1095993	Tray, Drip	1
7	1098935	Shelf, Glass	1
8	1098933	Shelf, Glass-Crisper	1
9	1096010	Drawer, Crisper	1
10	1096755	Trim, Shelf	2
11	1051929	Support, Bar-Left	2
12	1073911	Support, Bar-Bottom Left	1
13	1073913	Bar, Shelf	3
14	1073912	Support, Bar-Bottom Right	1
15	1051930	Support, Bar-Right	2
16	1073793	Gasket, Door	1
17	1090794	Door	1
25	1069739	Cord, Power Supply & Plug	1
27	1090215	Base Assembly, Compressor	1
28	1093495	Sleeve, Steel-Compressor Mount	2
29	1050649	Compressor (R600A)	1
30	1094609	Plate, Compressor Mount	2
31	1095783	Sleeve, Heat Insulation	1
32	1099122	Washer, Spring Lock	2
33	1112841	Blot, Cross Recessed-Hexagon	2
34	ES5332	Filter, Drier	1
36	1096003	Cap, Cover	1
37	1099285	Door, Evaporator	1
38	1096885	Pin, Fixed	1
39	1096528	Support, Evaporator Left	1
40	1096851	Knob, Controller	1
41	1096002	Enclosure, Controller	1
43	1093337	Thermostat	1
44	1440080	Tray, Ice	1
45	1092263	Evaporator	1
46	1095784	Sleeve, Thermostat-A	1
47	1095760	Sleeve, Thermostat	1
48	1095978	Cover, Sensor	1
49	1090181	Hinge Plate Assembly, Upper Door	1
50	1119676	Cover, Top	1
51	1096998	Block, Decorative-Top Cover	1
53	1119693	Clasp Top Cover	2
54	1055831	Switch, Lamp	1
55	1078386	Holder, Lamp	1
56	1078355	Lamp	1



IMPORTANT SAFETY NOTICE

This diagram has been prepared for use by electrically qualified service technicians. Electrolux cannot be held responsible for the interpretation of its service publications nor for any injury or damage that may occur in connection with their use.