



ELECTROLUX HOME PRODUCTS PTY LTD
ABN 51 004 762 341

Technical Publication N° RE267

Issue: 2
Date: 01/10

WEB SITE ADDRESS: www.partnship.com.au

KELVINATOR

MANUALLY CONTROLLED

“A” SERIES

TOP MOUNT

REFRIGERATORS

***06 Introduction
of R600a
Refrigerant**

MODELS

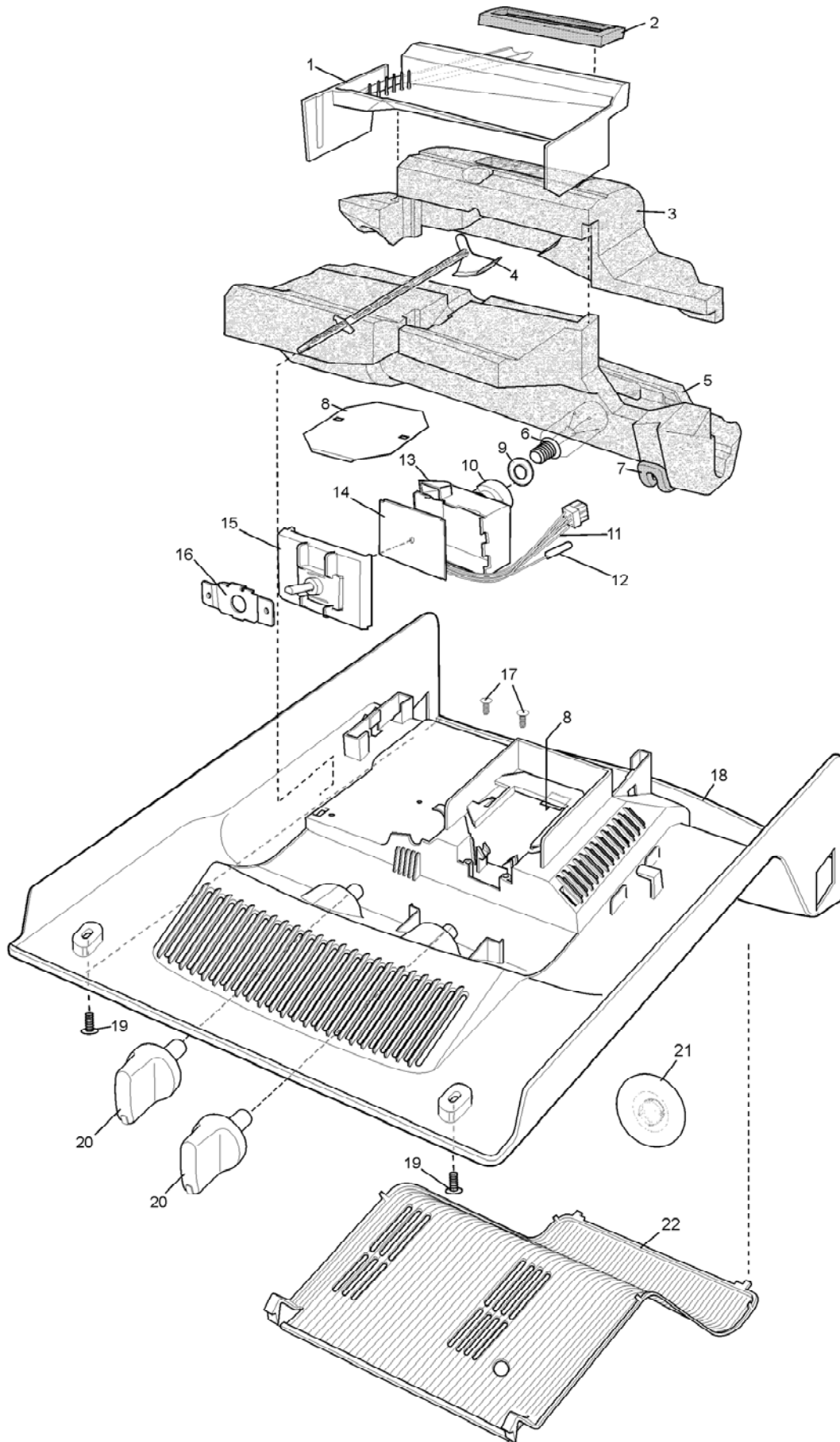
KTM3600WA *06 (White)
KTM3900MA *06 (Metro Silver)
KTM3900WA *06 (White)
KTM4200WA *06 (White)
KTM4400WA *06 (White)
KTM5200MA *06 (Metro Silver)
KTM5200WA *06 (White)

INDEX

SECTION	PAGE N°
Index	2
Notes	3
Exploded View Control Housing All Models	4 - 5
Exploded View Door Assy. KTM3600WA *06	6 - 7
Exploded View Door Assy. KTM3900MA *06, KTM3900WA *06	8 - 9
Exploded View Door Assy. KTM4200WA *06	10 - 11
Exploded View Door Assy. KTM4400WA *06	12 - 13
Exploded View Door Assy. KTM5200MA *06, KTM5200WA *06	14 - 15
Exploded View Freezer Assy. KTM3600WA *06, KTM3900MA *06, KTM3900WA *06, KTM4200WA *06, KTM4400WA *06	16 - 17
Exploded View Freezer Assy. KTM5200MA *06, KTM5200WA *06	18 - 19
Exploded View Cabinet Assy. KTM3600WA *06, KTM3900MA *06, KTM3900WA *06	20 - 21
Exploded View Cabinet Assy. KTM4200WA *06, KTM4400WA *06	22 - 23
Exploded View Cabinet Assy. KTM5200MA *06, KTM5200WA *06	24 - 25
Exploded View Machine Compartment Assy KTM3600WA *06, KTM3900MA *06, KTM3900WA *06, KTM4200WA *06, KTM4400WA *06	26 - 27
Exploded View Machine Compartment Assy KTM5200MA *06, KTM5200WA *06	28 - 29

MODELS: ALL MODELS

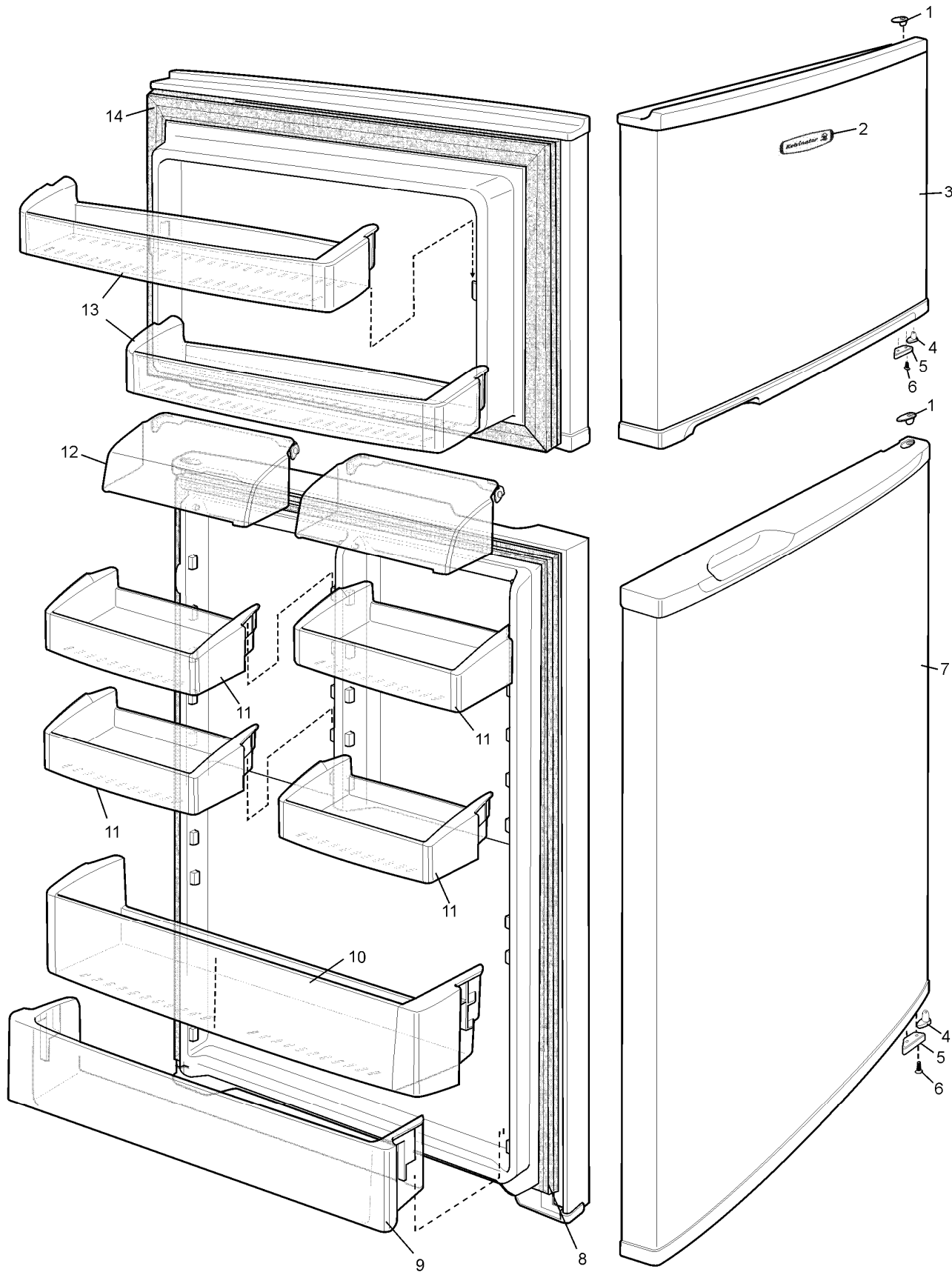
EX. VIEW DRAWING 7277
CONTROL HOUSING TOP
ASSEMBLY



ITEM	PART N°	DESCRIPTION	Ex. 7277	QTY
1	*1442017	Drain		1
2	*1445148	Gasket		1
3	*1447203	EPS Upper		1
4	*1453082	Baffle		1
5	*1454582	EPS Lower		1
6	*§1451285	Lamp, 40 watt E14SES		1
7	*57010109	Foam Tape		1
8	*1450957	Shield, Light		1
9	*§1453302	Gasket, Sealing, Lamp		1
10	§N.P.A.	Part Of 1452751 Assy.		x
11	*Refer Item 14	Part Of Item 14		x
12	*Refer Item 14	Part Of Item 14		x
13	*Refer Item 14	Part Of Item 14		x
14	*1454627	Control Board Assy. ERF450 (Includes Items 11, 12, 13, 15 & 16)		1
15	*Refer Item 14	Part Of Item 14		x
16	*Refer Item 14	Part Of Item 14		x
17	*1449412	Screw, #8 x ½" TF Flange HD WHT		2
18	*1454447	Housing, Control Dec.		1
19	1449424	Screw, 8G * 19mm Typ-BT P/HD T/C		2
20	*1447252	Knob, Control		2
21	1443704	Cover, Toggle Lock		1
22	*1442088	Lens, Light		1
<p>Note: * The parts marked with an "*" can be supplied as an assembly Part Number 1452751.</p>				
<p>Note: § When replacing the Lamp check that the lamp sealing gasket is in place in the Lamp Holder.</p>				

MODEL: KTM3600WA *06 (WHITE)

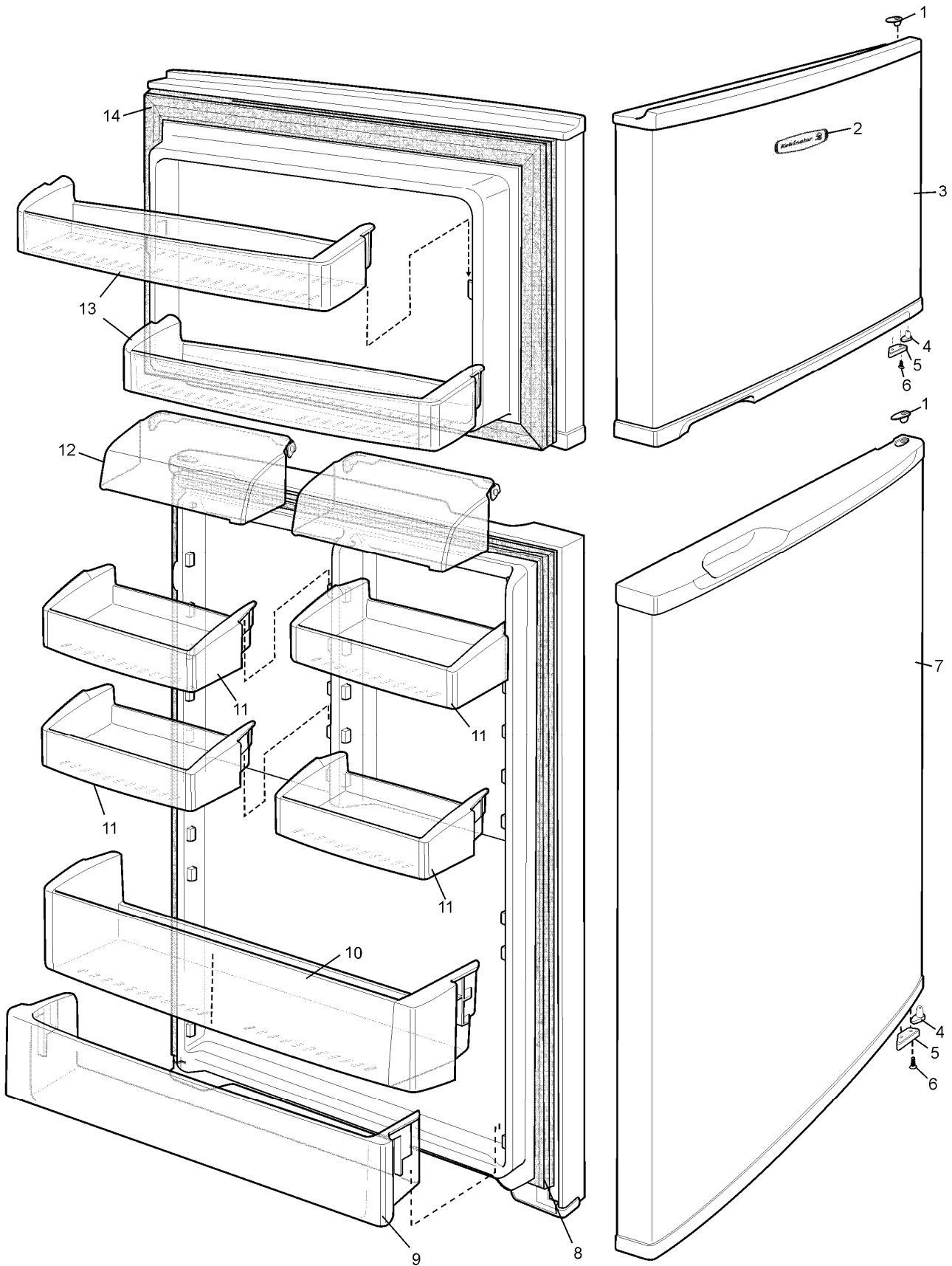
EX. VIEW DRAWING 6786
DOOR ASSEMBLIES



ITEM	PART N°	DESCRIPTION	Ex. 6786	QTY
1	1443579	Thimble, Filler Assy. Closed		2
2	1455016	Nameplate, Kelvinator		1
3	1453551	Door FIP Fzr, R.H.		1
	1453545	Door FIP Frz, L.H.		1
4	1443580	Thimble, Cam Assy. Closed		2
5	1427662	Stop, Door		2
6	154564	Screw, Door Stop N°10 x ¾" T/CT T23 C/SUNK		4
7	1449846	Door FIP F/C. R.H.		1
	1449850	Door FIP F/C. L.H.		1
8	1450832K	Gasket, Door F/C.		1
9	1448026	Bin, Can		1
10	1448010	Bin, Bottle		1
11	1448033	Bin, Half Width		4
12	1448015	Door, Dairy		2
13	1448036	Bin, Freezer		2
14	1450831K	Gasket, Door Fzr.		1

**MODELS: KTM3900MA *06 (METRO SILVER)
KTM3900WA *06 (WHITE)**

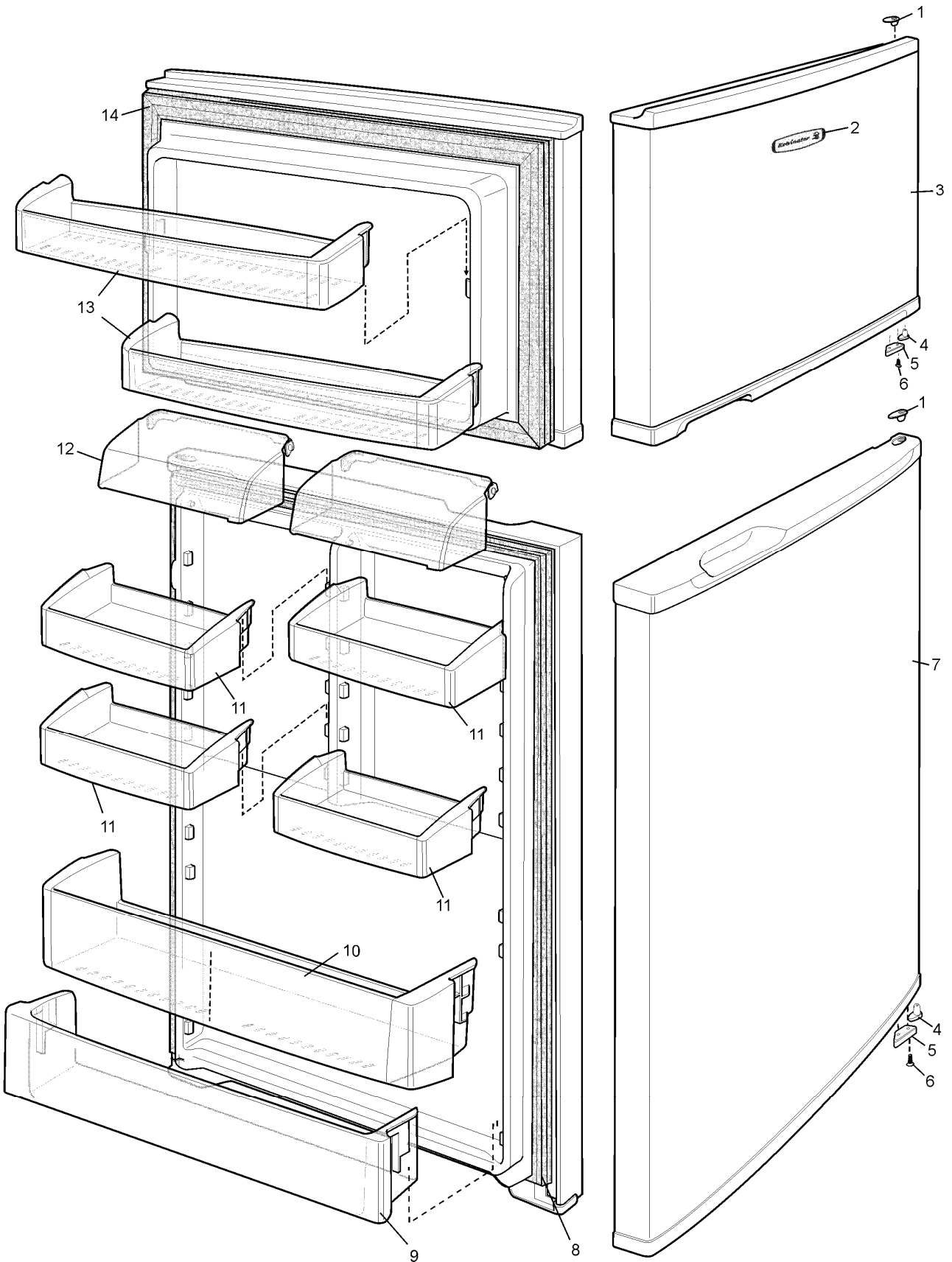
**EX. VIEW DRAWING 6786A
DOOR ASSEMBLIES**



ITEM	PART N°	DESCRIPTION	Ex. 6786A	MB	WB
1	1443579	Thimble, Filler Assy. Closed		2	2
2	1455016	Nameplate, Kelvinator		1	1
3	1453562	Door FIP Fzr, R.H.		1	
	1453556	Door FIP Frz, L.H.		1	
	1451609	Door FIP Fzr, R.H.			1
	1453568	Door FIP Frz, L.H.			1
4	1443580	Thimble, Cam Assy. Closed		2	2
5	1427662	Stop, Door		2	2
6	154564	Screw, Door Stop N°10 x ¾" T/CT T23 C/SUNK		4	4
7	1447299	Door FIP F/C. R.H.		1	
	1447307	Door FIP F/C. L.H.		1	
	1443193	Door FIP F/C. R.H.			1
	1443197	Door FIP F/C. L.H.			1
8	1450833K	Gasket, Door F/C.		1	1
9	1448026	Bin, Can		1	1
10	1448010	Bin, Bottle		1	1
11	1448033	Bin, Half Width		4	4
12	1448015	Door, Dairy		2	2
13	1448036	Bin, Freezer		2	2
14	1450831K	Gasket, Door Fzr.		1	1

MODEL: KTM4200WA *06 (WHITE)

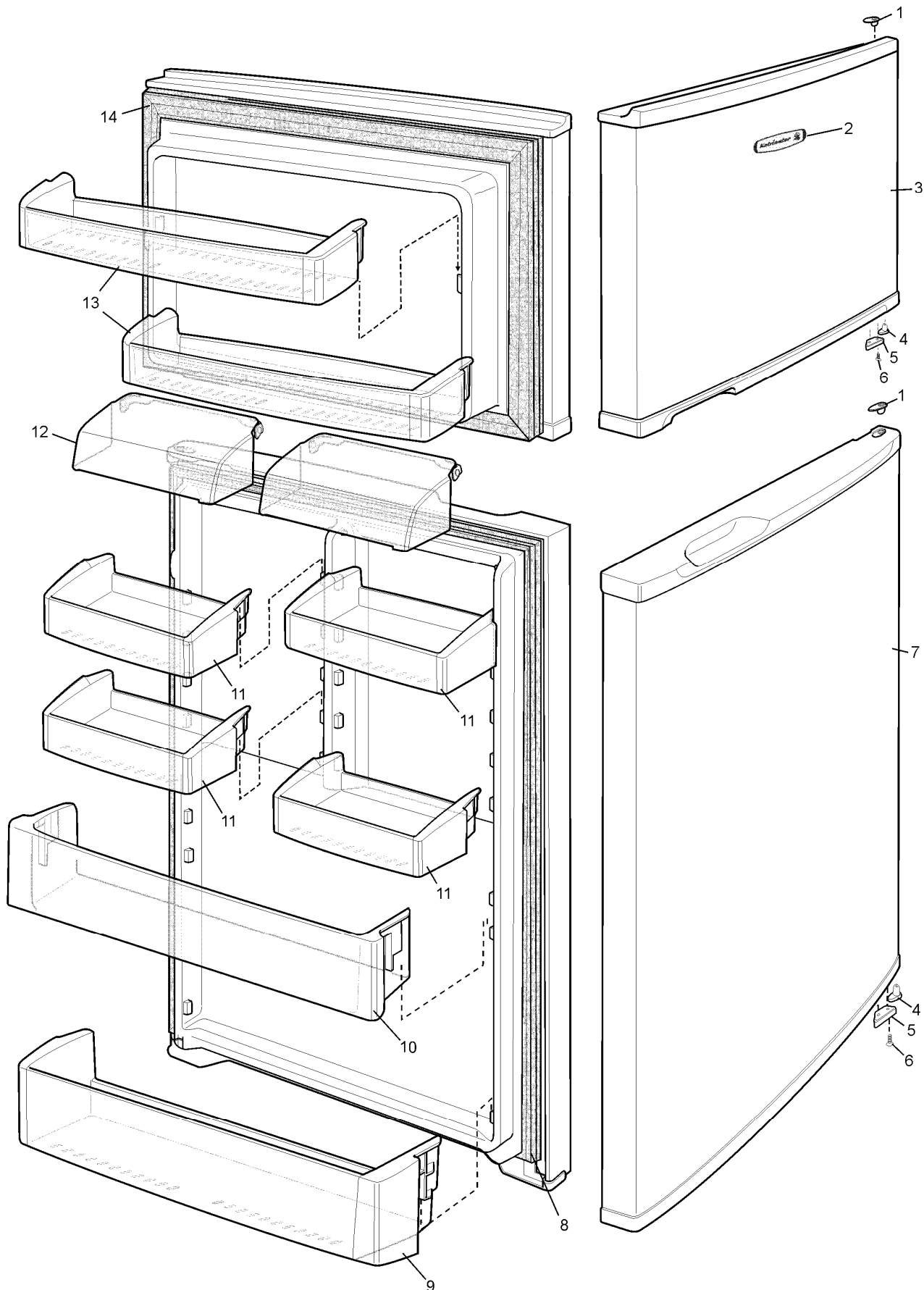
EX. VIEW DRAWING 6786B
DOOR ASSEMBLIES



ITEM	PART N°	DESCRIPTION	Ex. 6786B	QTY
1	1443579	Thimble, Filler Assy. Closed		2
2	1455016	Nameplate, Kelvinator		1
3	1453551	Door FIP Fzr, R.H.		1
	1453545	Door FIP Frz, L.H.		1
4	1443580	Thimble, Cam Assy. Closed		2
5	1427662	Stop, Door		2
6	154564	Screw, Door Stop N°10 x ¾" T/CT T23 C/SUNK		4
7	1449846	Door FIP F/C. R.H.		1
	1449850	Door FIP F/C. L.H.		1
8	1450832K	Gasket, Door F/C.		1
9	1448010	Bin, Bottle		1
10	1448037	Bin, Full Width		1
11	1448033	Bin, Half Width		4
12	1448015	Door, Dairy		2
13	1448036	Bin, Freezer		2
14	1450831K	Gasket, Door Fzr.		1

MODEL: KTM4400WA *06 (WHITE)

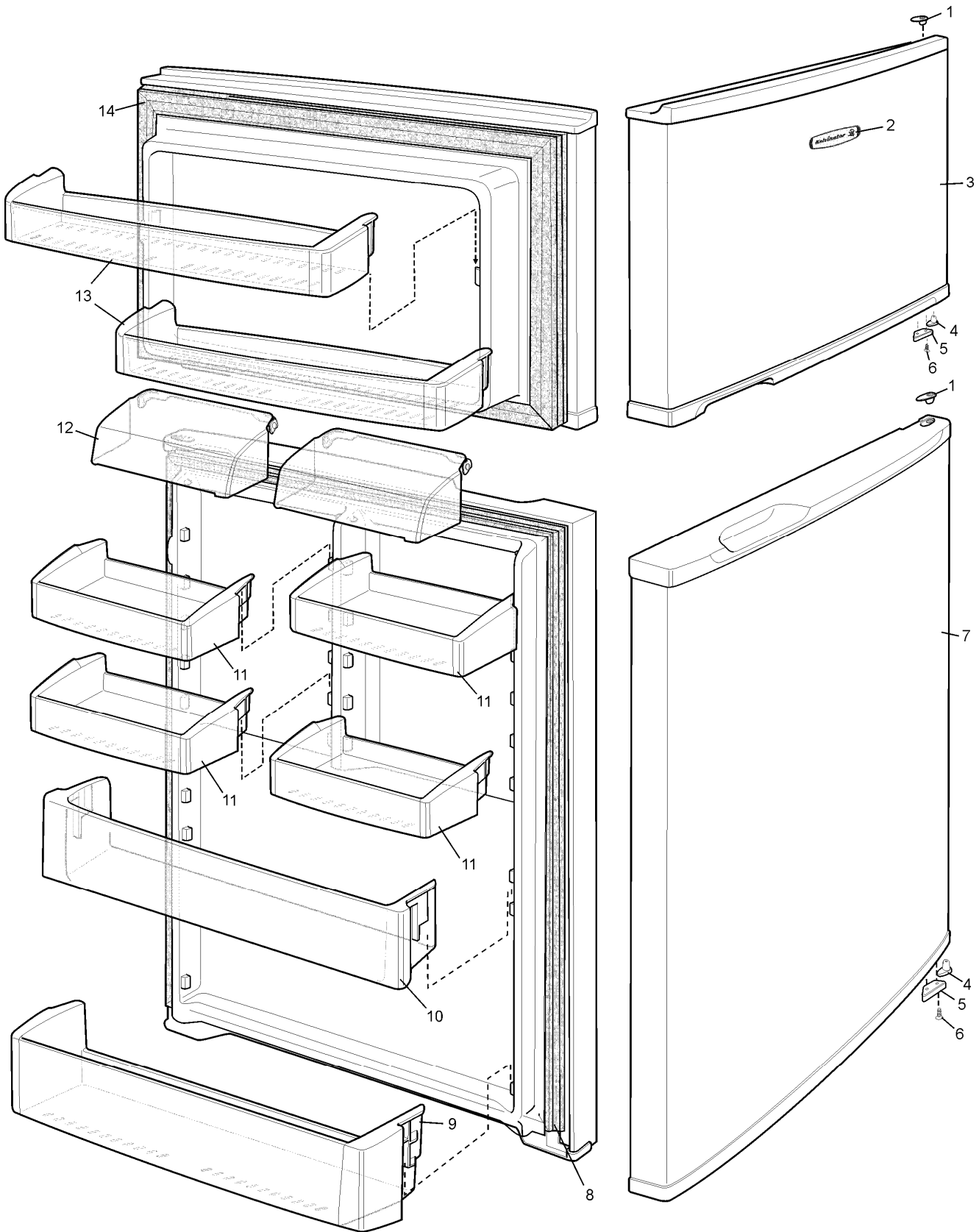
EX. VIEW DRAWING 6789
DOOR ASSEMBLIES



ITEM	PART N°	DESCRIPTION	Ex. 6789	QTY
1	1443579	Thimble, Filler Assy. Closed		2
2	1455016	Nameplate, Kelvinator		1
3	1451609	Door FIP Fzr, R.H.		1
	1453568	Door FIP Frz, L.H.		1
4	1443580	Thimble, Cam Assy. Closed		2
5	1427662	Stop, Door		2
6	154564	Screw, Door Stop N°10 x ¾" T/CT T23 C/SUNK		4
7	1443193	Door FIP F/C. R.H.		1
	1443197	Door FIP F/C. L.H.		1
8	1450833K	Gasket, Door F/C.		1
9	1448010	Bin, Bottle		1
10	1448037	Bin, Full Width		1
11	1448033	Bin, Half Width		4
12	1448015	Door, Dairy		2
13	1448036	Bin, Freezer		2
14	1450831K	Gasket, Door Fzr.		1

**MODELS: KTM5200MA *06 (METRO SILVER)
KTM5200WA *06 (WHITE)**

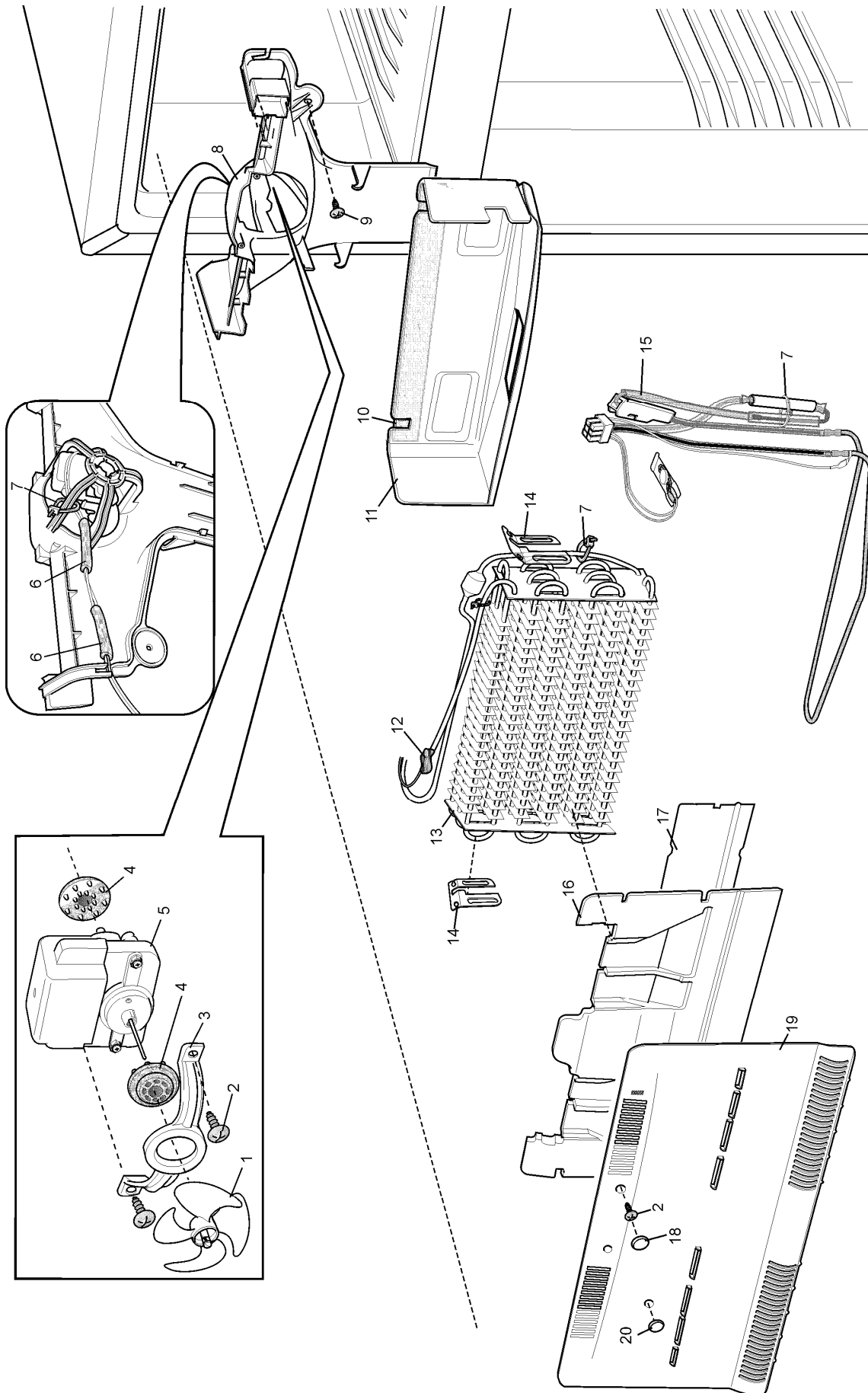
**EX. VIEW DRAWING 6785
DOOR ASSEMBLIES**



ITEM	PART N°	DESCRIPTION Ex. 6785	MB	WB
1	1443579	Thimble, Filler Assy. Closed	2	2
2	1455016	Nameplate, Kelvinator	1	1
3	1453590	Door FIP Frz R.H.	1	
	1453584	Door FIP Frz L.H.	1	
	1447361	Door FIP Frz R.H.		1
	1453596	Door FIP Frz L.H.		1
4	1443580	Thimble, Cam Assy. Closed	2	2
5	1427662	Stop, Door	2	2
6	154564	Screw, Door Stop N°10 x ¾" T/CT T23 C/SUNK	4	4
7	1447277	Door FIP F.C. RH.	1	
	1447289	Door FIP F.C. LH.	1	
	1443192	Door FIP F.C. RH.		1
	1443196	Door FIP F.C. LH.		1
8	1450837K	Gasket, Door F.C.	1	1
9	1448126	Bin, Bottle	1	1
10	1448024	Bin, Full Width	1	1
11	1448032	Bin, Half Width	4	4
12	1448014	Door, Dairy	2	2
13	1448035	Bin, Freezer	2	2
14	1450836K	Gasket, Door Fzr.	1	1

MODELS: KTM3600WA *06,
KTM3900MA *06, KTM3900WB *06
KTM4200WA *06, KTM4400WB *06

EX. VIEW DRAWING 6716
FREEZER ASSEMBLY

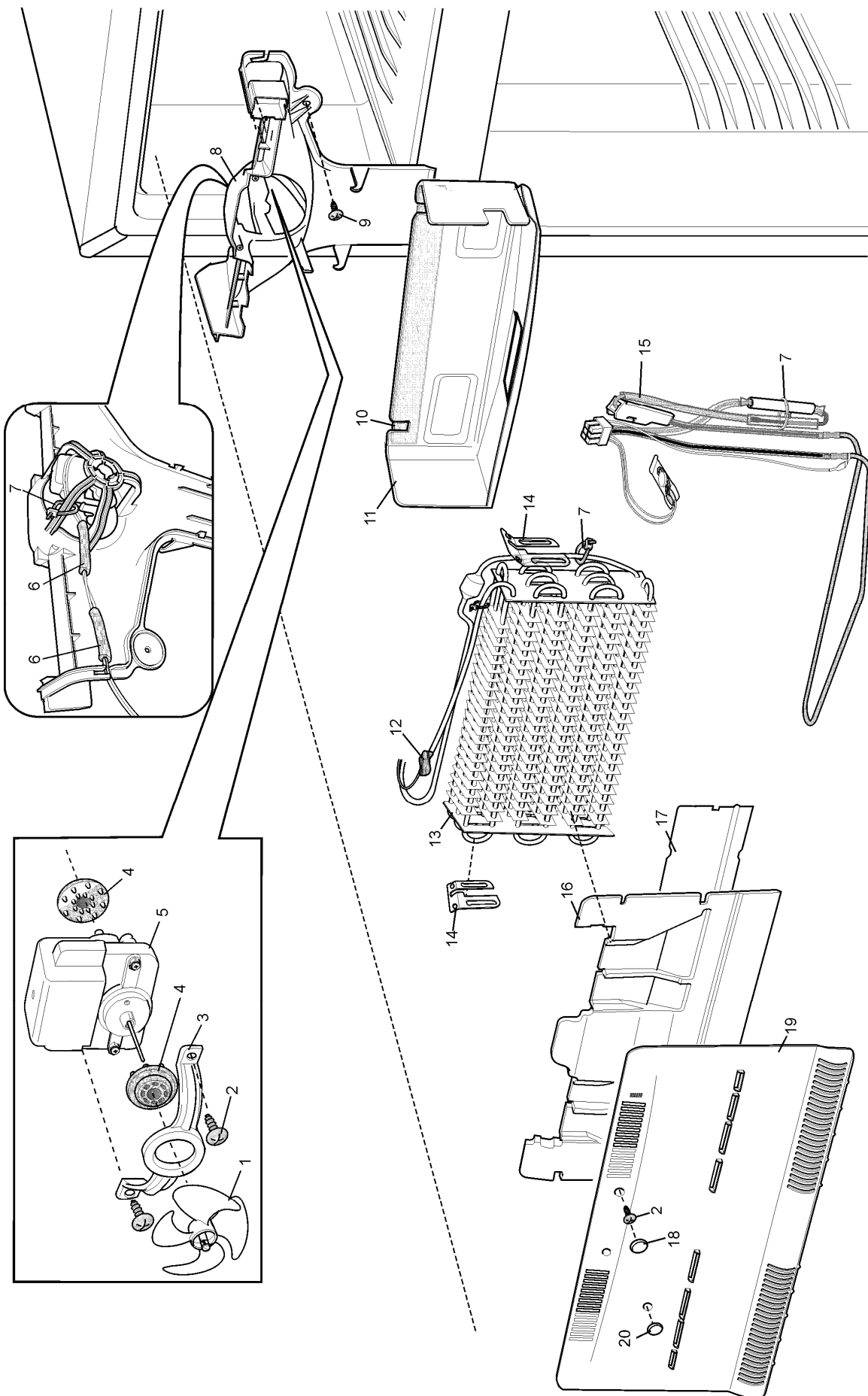


ITEM	PART N°	DESCRIPTION	Ex. 6716	QTY
1	1446167	Fan Blade Assy.		1
2	1449422	Screw, #8 x 1/2" TF TA PAN HD		2
3	1435137	Bracket, Fan		1
4	1446048	Grommet, Fan Mounting		2
5	1453263	Motor, Fan 5watts		1
6	1424984	Foam Tape		1
7	1416248	Cable Tie		3
8	1441002	Shroud, Fan Moulded		1
9	1449412	Screw, #8 x 1/2" TF Flange WH HD		4
10	1445861	Foam Sealing Tape		1
11	1451269	Trough, Drain Assy.		1
12	1437017	Noise Damper		1
13	1452950	Evaporator Assy.		1
14	1436676	Bypass Seal Plastic		2
15	*1454341	Defrost Heater Harness Assy. (Includes Heater, Thermal Fuse & DTT)		1
16	1440874	Insulation, (Evaporator Cover)		1
17	1451257	Heat Shield (Evaporator Cover)		1
18	1442951	Plug Button		2
19	1454670	Evaporator Cover Assy. (Includes Items 16 & 17)		1
	1451193	Evaporator Cover		1
20	1445182	Plug Button		1

Note: * This Defrost Heater Assembly must only be replaced by the same assembly designed specifically to be used with R600a refrigerant. Under no circumstances should an individual component in the assembly be replaced. An assembly must be replaced with an assembly.

MODELS: KTM5200MA *06 (METRO SILVER)
KTM5200WA *06 (WHITE)

EX VIEW DRAWING 6716A
FREEZER ASSEMBLY

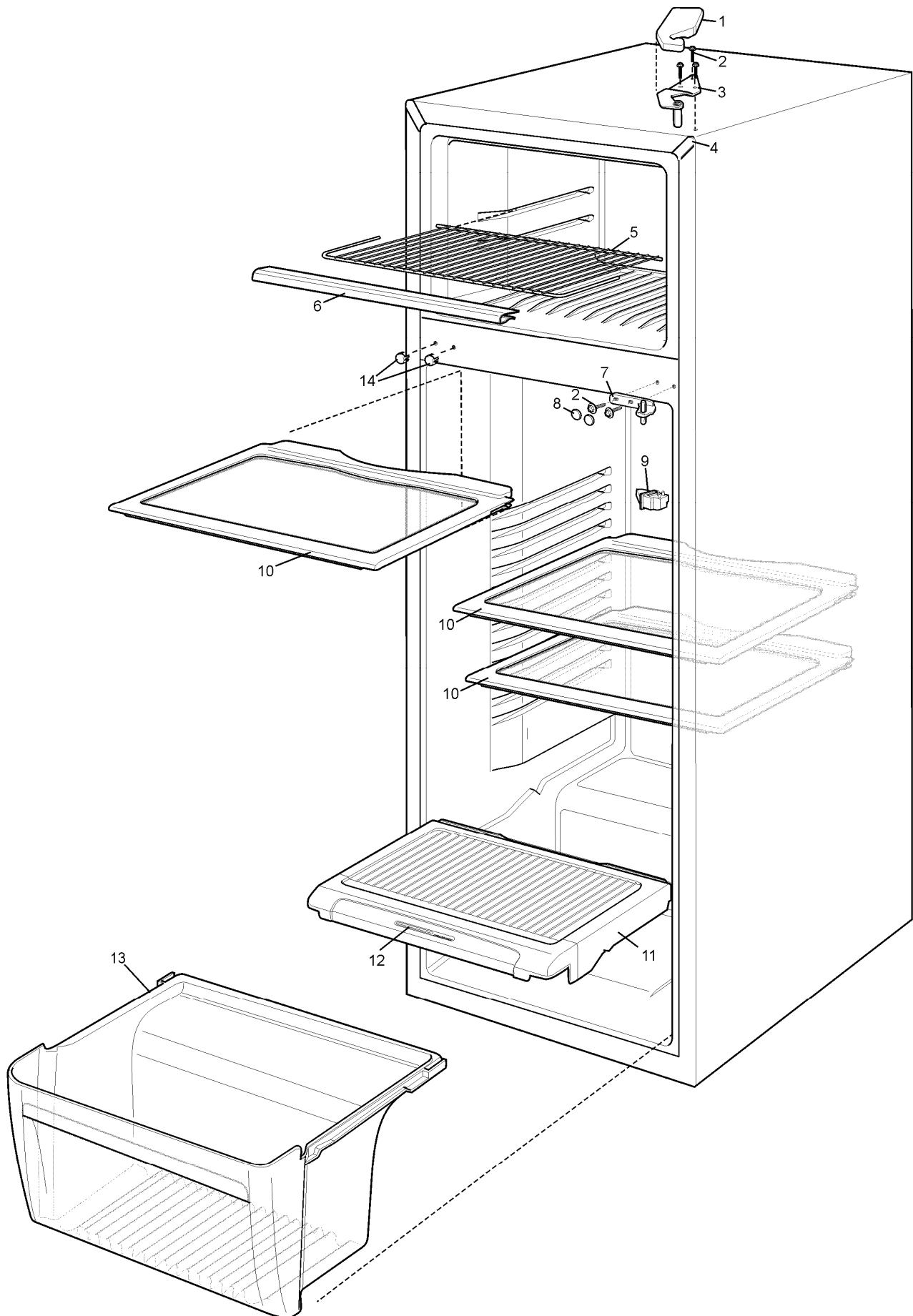


ITEM	PART N°	DESCRIPTION	Ex. 6716A	QTY
1	1446167	Fan Blade Assy.		1
2	1449422	Screw, #8 x 1/2" TF TA PAN/HD		2
3	1435137	Bracket, Fan		1
4	1446048	Grommet, Fan Mounting		2
5	1453263	Motor, Fan 5watts		1
6	1424984	Foam Tape		1
7	1416248	Cable Tie		3
8	1440923	Shroud, Fan Moulded		1
9	1449412	Screw, #8 x 1/2" TF Flange HD WHT		4
10	1445861	Foam Sealing Tape		1
11	1451271	Trough, Drain Assy.		1
12	1437017	Noise Damper		1
13	1452951	Evaporator Assy.		1
14	1436676	Bypass Seal Plastic		2
15	*1454340	Defrost Heater Harness Assy. (Includes Heater, Thermal Fuse & DTT)		1
16	1441652	Insulation, (Evaporator Cover)		1
17	1451256	Heat Shield (Evaporator Cover)		1
18	1442951	Plug Button		2
19	1454669	Evaporator Cover Assy. (Includes Items 16 & 17)		1
	1451192	Evaporator Cover		1
20	1445182	Plug Button		1

Note: * This Defrost Heater Assembly must only be replaced by the same assembly designed specifically to be used with R600a refrigerant. Under no circumstances should an individual component in the assembly be replaced. An assembly must be replaced with an assembly.

**MODELS: KTM3600WA *06 (WHITE)
KTM3900MA *06 (METRO SILVER)
KTM3900WA *06 (WHITE)**

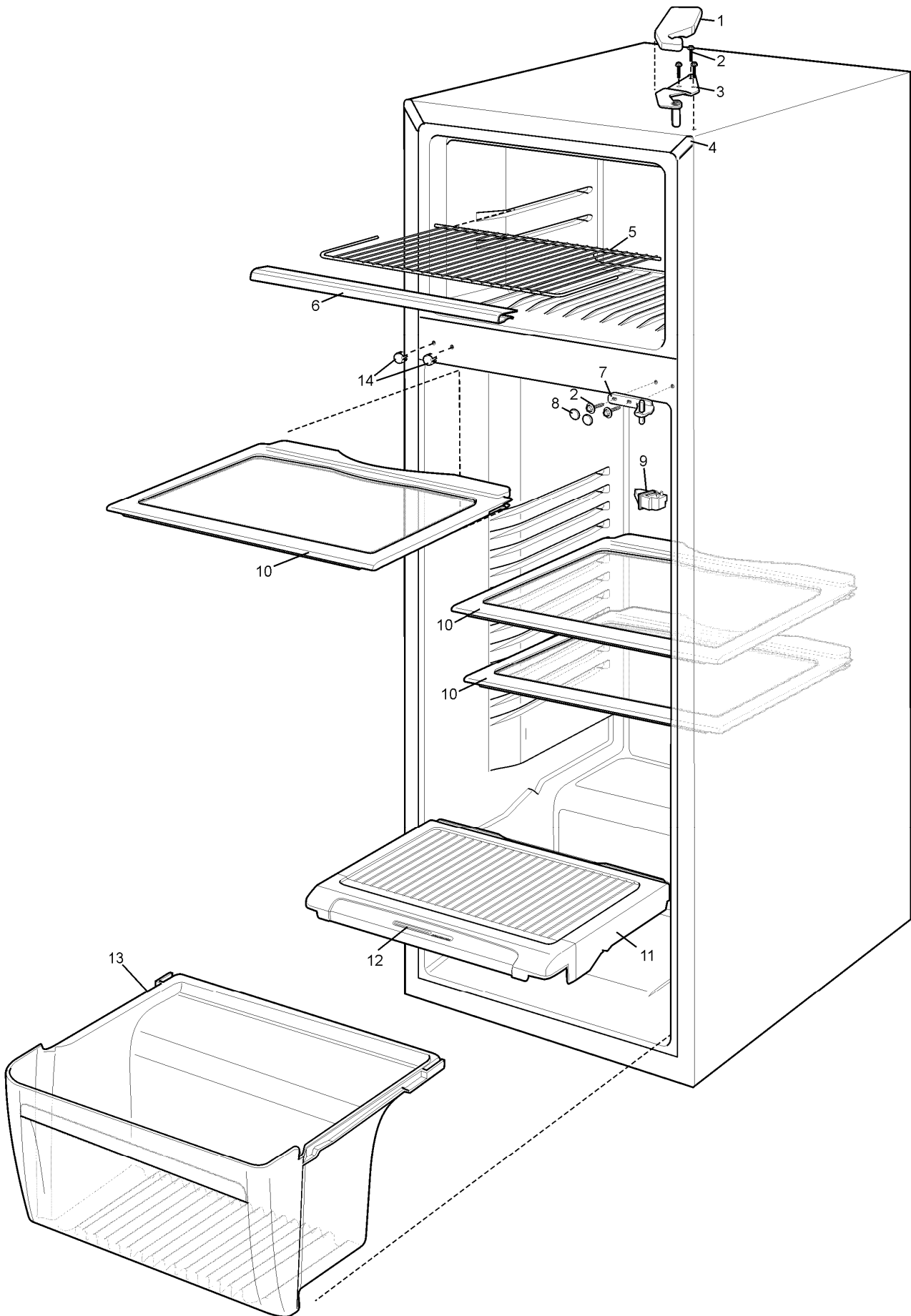
**EX. VIEW DRAWING 6787
CABINET ASSEMBLY**



ITEM	PART N°	DESCRIPTION Ex. 6787	MB	WB
1	1449941	Cover, Hinge RH (Grey SYD 1212-A)	1	
	1449942	Cover, Hinge LH (Grey SYD 1212-A)	1	
	1442280	Cover, Hinge RH (White)		1
	1443565	Cover, Hinge LH (White)		1
2	1449414	Screw, 12-12 * 25mm Trilobe HWF	5	5
3	1448261	Hinge, Top RH	1	1
	1448262	Hinge, Top LH	1	1
4	1450894	Cap, Corner (Grey SYD 1212-A)	2	
	1450853	Cap, Corner (White)		2
5	1441639	Shelf, Freezer Shallow	1	1
6	1444439	Trim, Freezer Shelf	1	1
7	1449939	Hinge, Centre (Grey SYD 1212-A)	1	
	1449843	Hinge, Centre (White)		1
8	1449940	Cap, Screw (Grey SYD 1212-A)	2	
	1425223	Cap, Screw (White)		2
9	1446958	Switch, Light	1	1
10	1441662	Shelf, Glass	3	3
11	1454520	Cover, Crisper Assy.	1	1
12	1454445	Humidity, Control	1	1
13	1448012	Crisper Moulded	1	1
14	1432141	Plug Hole, (White)	2	2

MODELS: KTM4200WA *06 (WHITE)
KTM4400WA *06 (WHITE)

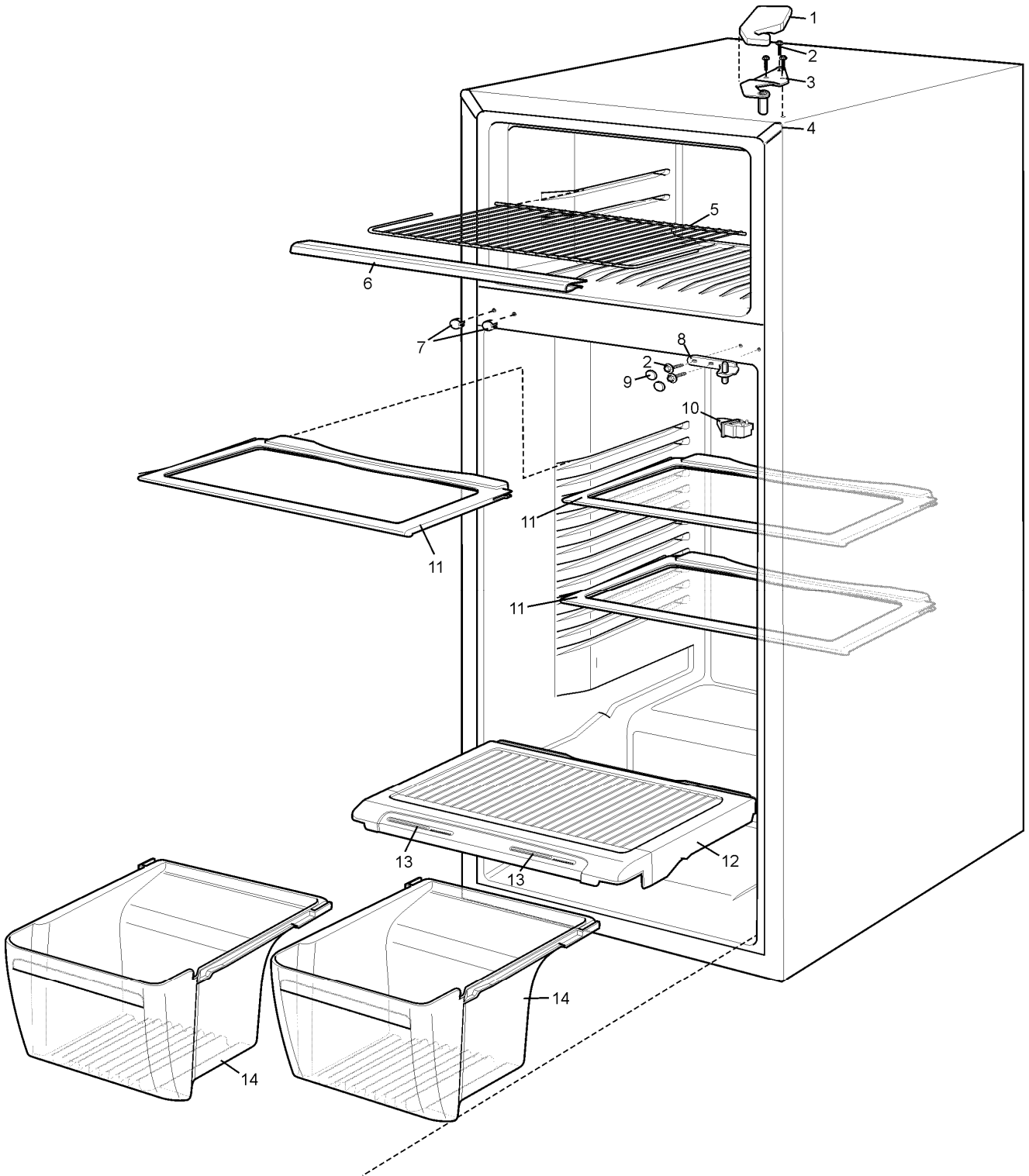
EX. VIEW DRAWING 6787A
CABINET ASSEMBLY



ITEM	PART N°	DESCRIPTION Ex. 6787A	QTY
1	1442280	Cover, Hinge RH (White)	1
	1443565	Cover, Hinge LH (White)	1
2	1449414	Screw, 12-12 * 25mm Trilobe HWF	5
3	1448261	Hinge, Top RH	1
	1448262	Hinge, Top LH	1
4	1450853	Cap, Corner (White)	2
5	1441638	Shelf, Freezer Deep	1
6	1444439	Trim, Freezer Shelf	1
7	1449843	Hinge, Centre (White)	1
8	1425223	Cap, Screw	2
9	1446958	Switch, Light	1
10	1441661	Shelf, Glass	3
11	1454520	Cover, Crisper Assy.	1
12	1454445	Humidity, Control	1
13	1448012	Crisper Moulded	1
14	1432141	Plug Hole, (White)	2

MODELS: KTM5200MA *06 (METRO SILVER)
KTM5200WA *06 (WHITE)

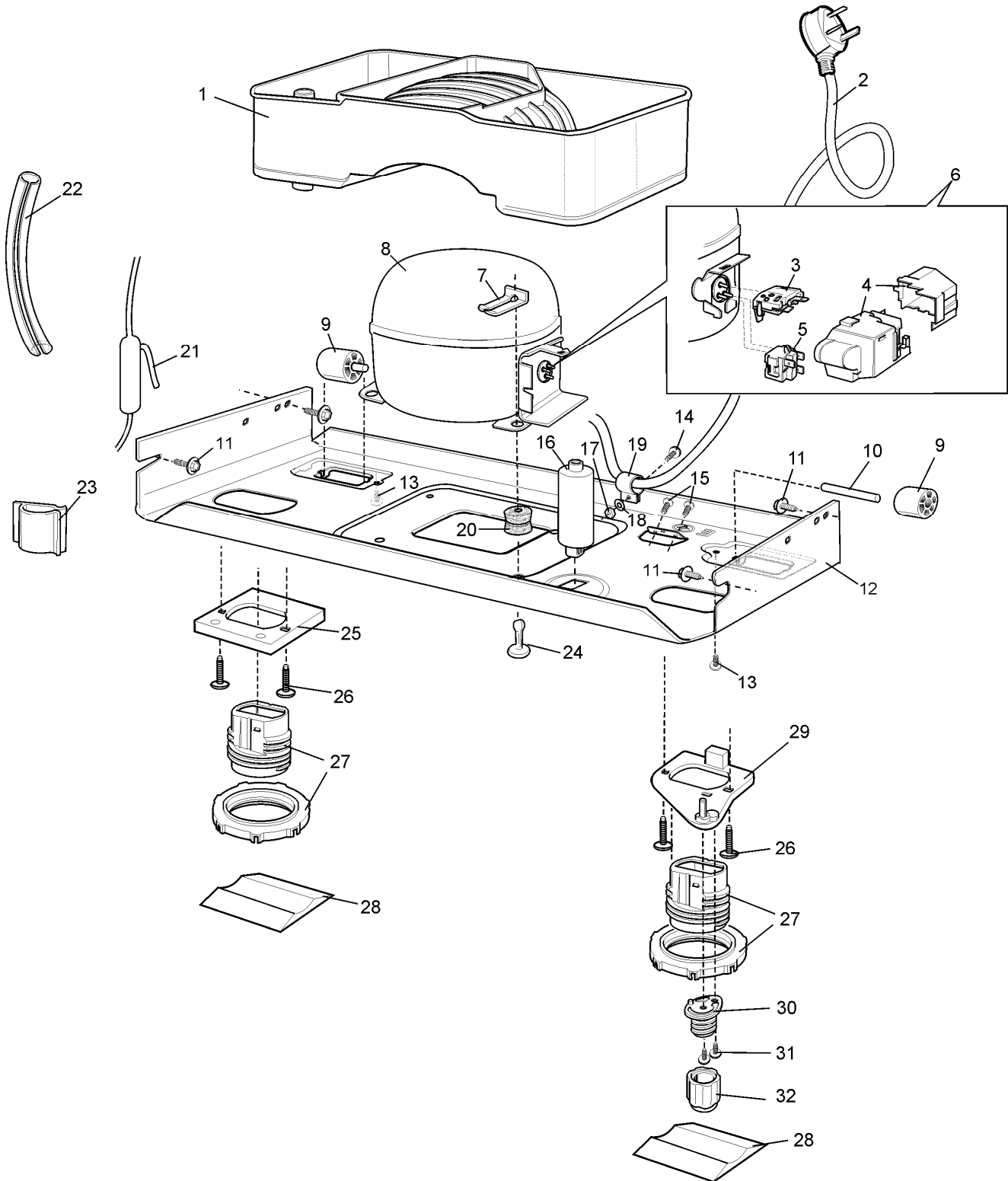
EX. VIEW DRAWING 6865
CABINET ASSEMBLY



ITEM	PART N°	DESCRIPTION Ex. 6865	MB	WB
1	1449941	Cover, Hinge RH (Grey SYD 1212-A)	1	
	1449942	Cover, Hinge LH (Grey SYD 1212-A)	1	
	1442280	Cover, Hinge RH (White)		1
	1443565	Cover, Hinge LH (White)		1
2	1449414	Screw, 12-12 * 25mm Trilobe HWF	5	5
3	1448261	Hinge, Top RH	1	1
	1448262	Hinge, Top LH	1	1
4	1450894	Cap, Corner (Grey SYD 1212-A)	2	
	1450853	Cap, Corner (White)		2
5	1441637	Shelf, Freezer	1	1
6	1444438	Trim, Freezer Shelf	1	1
7	1432141	Plug Hole, (White)	2	2
8	1449939	Hinge, Centre (Grey SYD 1212-A)	1	
	1449843	Hinge, Centre (White)		1
9	1449940	Cap, Screw (Grey SYD 1212-A)	2	
	1425223	Cap, Screw (White)		2
10	1446958	Switch, Light	1	1
11	1446203	Shelf, Glass	3	3
12	1454519	Cover, Crisper Assy.	1	1
13	1454445	Humidity, Control	2	2
14	1448011	Crisper Moulded	2	2

MODELS: KTM3600WA *06 (WHITE)
KTM3900MA *06 (METRO SILVER)
KTM3900WA *06 (WHITE)
KTM4200WA *06 (WHITE)
KTM4400WA *06 (WHITE)

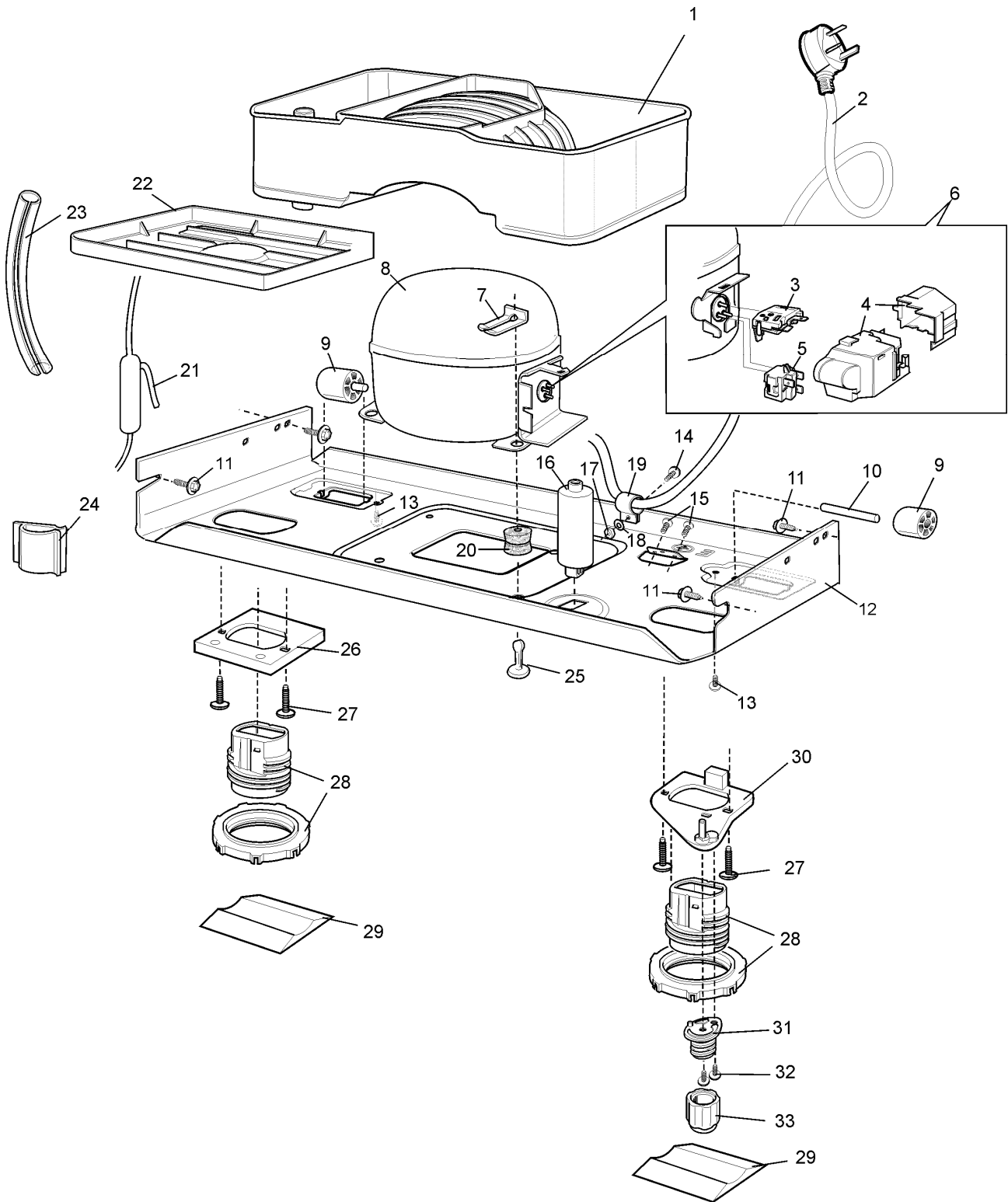
EX. VIEW DRAWING 7326
MACHINE COMPARTMENT



ITEM	PART N°	DESCRIPTION Ex. 7326	QTY
1	1451039	Pan, Drain (To Suit <i>EMZ66CLP</i>)	1
	1454091	Pan, Drain (To Suit EMB66CLC)	1
2	1454137	Cord, Service R600a	1
3	Refer Item 6	Overload, Protector	x
4	Refer Item 6	Junction Box	x
5	Refer Item 6	P.T.C. Relay	x
6	1454841	Kit Electrics (To Suit <i>EMZ66CLP</i>)	1
	1454597	Kit Electrics (To Suit EMB66CLC)	1
7	1449402	Clip, Compressor Retaining	4
8	N.P.A.	Compressor, Embraco <i>EMZ66CLP</i> Use 1453905 As The Replacement	x
	1453905	Compressor, Embraco EMB66CLC	1
9	1449731	Roller, Rear (Light Grey)	2
10	1451845	Shaft, Roller Rear	2
11	1449407	Screw, #12-14, 16.0mm	12
12	1450593	Base Plate, Compressor	1
13	1449401	Screw, #8-32 x 3/8	2
14	1449415	Screw	1
15	1449410	Screw, 8/32 “ x ½” Thread Cut	2
16	1454175	Capacitor, 4µf 400 volts Snap In	1
17	1449423	Nut	1
18	1449433	Lock Washer	1
19	1438128	Clamp	1
20	1446306	Grommet, Rubber Comp. Mtg.	4
21	ES5332	Dryer	1
22	1446166	Drain Tube, Slit, Clear	1
23	1436223	Clip, Self Adhesive	2
24	1416655	Pin, Comp. Mtg.	4
25	1441916	Spacer, Roller, Strikeside	1
26	1449409	Screw, Lower Hinge/Roller Spacer	4
27	1442374	Roller, Adjustable	2
28	1448845	Roller Stop Skid	2
29	1447211	Hinge Plate, Bottom LH (Black)	1
	1447210	Hinge Plate, Bottom RH (Black)	1
30	1441979	Mount Foot Stabilising	1
31	1444541	Screw, M4x8 Mush X/R T-23 ZP	2
32	1441919	Cap, Stabilising Foot	1

MODELS: KTM5200MA *06 (METRO SILVER)
KTM5200WA *06 (WHITE)

EX VIEW DRAWING 7327
MACHINE COMPARTMENT



ITEM	PART N°	DESCRIPTION Ex. 7327	QTY
1	1451039	Pan, Drain (<i>To Suit EMZ66CLP</i>)	1
	1454091	Pan, Drain (To Suit EMB66CLC)	1
2	1454137	Cord, Service R600a	1
3	Refer Item 6	Overload, Protector	x
4	Refer Item 6	Junction Box	x
5	Refer Item 6	P.T.C. Relay	x
6	1454841	Kit Electrics (<i>To Suit EMZ66CLP</i>)	1
	1454597	Kit Electrics (To Suit EMB66CLC)	1
7	1449402	Clip, Compressor Retaining	4
8	N.P.A.	Compressor, Embraco <i>EMZ66CLP R600a</i> Use 1453905 As The Replacement	x
	1453905	Compressor, Embraco EMB66CLC R600a	1
9	1449731	Roller, Rear (Light Grey)	2
10	1451845	Shaft, Roller Rear	2
11	1449407	Screw, #12-14, 16.0mm	12
12	1450594	Base Plate, Compressor	1
13	1449401	Screw, #8-32 x 3/8	2
14	1449415	Screw	1
15	1449410	Screw, 8/32 “ x 1/2” Thread Cut	2
16	1454175	Capacitor, 4µf 400 volts Snap In R600a	1
17	1449423	Nut	1
18	1449433	Lock Washer	1
19	1438128	Clamp	1
20	1446306	Grommet, Rubber Comp. Mtg.	4
21	ES5332	Dryer	1
22	1448108	Auxiliary Drain Pan	1
23	1446166	Drain Tube, Slit, Clear	1
24	1436223	Clip, Self Adhesive	2
25	1416655	Pin, Comp. Mtg.	4
26	1441916	Spacer, Roller, Strikeside	1
27	1449409	Screw, Lower Hinge/Roller Spacer	4
28	1442374	Roller, Adjustable	2
29	1448845	Roller Stop Skid	2
30	1447211	Hinge Plate, Bottom LH (Black)	1
	1447210	Hinge Plate, Bottom RH (Black)	1
31	1441979	Mount Foot Stabilising	1
32	1444541	Screw, M4x8 Mush X/R T-23 ZP	2
33	1441919	Cap, Stabilising Foot	1

Release Dates:
05/08/2009