



# Electrolux

ELECTROLUX HOME PRODUCTS PTY LTD

ABN 51 004 762 341

Technical Publication N° RE1068

Issue: 2

Date: 11/19

## ***PARTS & VIEWS***

### ***Westinghouse Frost Free “B” Series Bottom Mount Refrigerator***



## **ELC 00 & ELC01**

<b>MODEL</b>	<b>PNC</b>
<b>WBE4500WB-L</b>	<b>925060541 00 &amp; 01</b>
<b>WBE4500WB-R</b>	<b>925060540 00 &amp; 01</b>
<b>WBE4500SB-L</b>	<b>925060543 00 &amp; 01</b>
<b>WBE4500SB-R</b>	<b>925060542 00 &amp; 01</b>
<b>WBE4500BB-L</b>	<b>925060666 00 &amp; 01</b>
<b>WBE4500BB-R</b>	<b>925060665 00 &amp; 01</b>
<b>WBE5300WB-L</b>	<b>925060547 00 &amp; 01</b>
<b>WBE5300WB-R</b>	<b>925060546 00 &amp; 01</b>
<b>WBE5300SB-L</b>	<b>925060549 00 &amp; 01</b>
<b>WBE5300SB-R</b>	<b>925060548 00 &amp; 01</b>
<b>WBE5300BB-L</b>	<b>925060670 00 &amp; 01</b>
<b>WBE5300BB-R</b>	<b>925060669 00 &amp; 01</b>

# MAINTENANCE LEVEL CHANGE SUMMARY

ML	Description	Product Release Date
00	Initial Release	08/2019
01	Implement 19R114A (ECN-113805) - To use the new main harness with NTC sensor for Flat door AU. Plus other PN amendments.	11/2019

## MODEL NUMBER IDENTIFICATION

BRAND		TYPE		CONTROL		CAPACITY A		CAPACITY B (Refer Note 4)		FEATURE		DESIGN FEATURE		COLOUR		SERIES		DIVIDER	HAND		PLUG TYPE (COUNTRY)*		
CODE	BRAND	CODE	BUILD	CODE	BUILD	CODE	CAPACITY	CODE	CAPACITY	CODE	FEATURE	CODE	FEATURE	CODE	COLOUR	CODE	SERIES		CODE	HAND	CODE	PLUG TYPE	
A	AEG	B	BOTTOM FREEZER	E	DISPLAY ELECTRONIC	0	0-99 LITRES	0	= 0 LITRES	0	PLAIN	0	PLAIN	A	ARCTIC STEEL (SPB015)	A	NEW MODEL RANGE	*	R	RIGHT HAND	A	AUSTRALIAN STANDARD	
C	CHEF	C	CHEST FREEZER	H	ELECTRO MECHANICAL (MECHANICAL)	1	100-199 LITRES	1	= 10 LITRE	1	EXCLUSIVE MODEL POLAR HANDLE + INTERNAL USE	1	BUILT IN/INTEGRATED	M	SLATE SILVER (SPB016)	B	FIRST SERIES CHANGE		L	LEFT HAND	B	BRITISH 3 PIN SQUARE	
D	SISIL	F	UPRIGHT FREEZER	S	STANDARD ELECTRONIC	2	200-299 LITRES	2	= 20 LITRE	2	ICE MAKER ONLY	2	POCKET HANDLE	S	STAINLESS STEEL	C	SECOND SERIES CHANGE		X	NO HAND/REVERSIBLE	E	EUROPEAN 2 PIN	
E	ELECTROLUX	H	FRENCH DOOR	B	BASIC ELECTRONIC	3	300-399 LITRES	3	= 30 LITRE	3	BAR ONLY	3	3 DOOR/VARIABLE TEMPERATURE COMPARTMENT	W	WHITE	D	ETC		D	DRAPER	S	SOUTH AFRICAN	
F	FRIGIDAIR	R	ALL REFRIGERATOR			4	400-499 LITRES	4	= 40 LITRE	4	WATER DISPENSER ONLY	4	POLAR HANDLE	P	PACIFIC SILVER	E	ETC		N	SxS, NON HANDED	R	BRITISH 3 PIN ROUND	
G	FRIGIDAIR GALLERY	S	SIDE X SIDE			5	500-599 LITRES	5	= 50 LITRE	5	LOCK	5	FLAT GLASS DOOR/ WINE COOLER	D	DYNAMIC SILVER	X	EXPORT ASIAN S/STEEL		C	DRAPER FULLY CONVERTIBLE (MID DRAWER FUNCTIONALITY)	T	THAI BLACK PLUG	
H	WHITE WESTINGHOUSE	T	TOP FREEZER			6	600-699 LITRES	6	= 60 LITRE	6	ICE MAKER ONLY WITH WATER DISPENSER	6	CURVED GLASS DOOR	C	CHAMPAGNE	W	EXPORT ASIAN WHITE		V	DRAPER VARIABLE (MID DRAWER FUNCTIONALITY)	SA	SAUDI ARABIA 220V 60HZ	
I	ELECTROLUX ICOM	P	PANTRY			7	700-799 LITRES	7	= 70 LITRE	7	ICE & WATER DISPENSER	7	CLAD/E-LINE (FLAT)	V	VCM 443	Z	R600a TRIALS		F	DRAPER FREEZER (MID DRAWER FUNCTIONALITY)	PH	PHILIPPINES 220V 60HZ	
K	ARTHUR MARTIN	D	QUATRO SxS			8	800-899 LITRES	8	= 80 LITRE	8	ICE & WATER & BAR	8	ASSIST HANDLE	B	BLACK/EBONY							IL	ISRAEL
P	PHILCO	M	MULTI DOOR			9	900 + LITRES	9	= 90 LITRE	9	ICE & WATER DISPENSER & INTERNET CONNECTIVITY	9	BUILT IN/INTEGRATED (FLAT)	X	BLACK STAINLESS							MY	MALAYSIA/SINGAPORE
R	ARTHUR MARTIN	W	WINE COOLER											G	GOLD							TD	INDONESIA
S	SIMPSON	I	INTERNAL ICE BOX																			VN	VIETNAM
U	REX ELECTROLUX																					TH	THAILAND
W	WESTINGHOUSE																					AU	AUSTRALIA/INZ
Z	ZANUSSI																					EU	EUROPE
M	HIMART																					CN	CHINA
																						SG	SINGAPORE
																						JP	JAPAN
																						IN	INDIA
																						ZA	SOUTH AFRICA
																						CL	CHILE
																						AR	ARGENTINA
																						MX	MEXICO
																						BR	BRAZIL 220V
																						BZ	BRAZIL 127V
																						NA	NORTH AMERICA
																						PU	PARAGUAY, URUGUAY, BOLIVIA
																						CA	CANADA ,CARIBBEAN 220V
																						CC	CANADA ,CARIBBEAN 127V
																						AE	GCC GROUP
																						SK	SOUTH KOREA

NOTE: THIS LETTER ONLY FOR EXPORT DOMESTIC PRODUCT IS BLANK

# CONTENTS

**MAINTENANCE LEVEL CHANGE SUMMARY** .....2

**MODEL NUMBER IDENTIFICATION**.....2

**DOOR PANELS – Quick Guide** .....3

**EXPLODED VIEWS & PARTS LISTS**.....4

**MODEL: WBE4500WB-SB-BB, WBE5300WB-SB-BB**.....4

**CABINET INTERIOR**.....4

**MODEL: WBE4500WB-SB-BB, WBE5300WB-SB-BB**.....7

**DOOR ASSEMBLY** .....7

**MODEL: WBE4500WB-SB-BB, WBE5300WB-SB-BB**.....9

**FREEZER SYSTEM PARTS** .....9

**MODEL: WBE4500WB-SB-BB, WBE5300WB-SB-BB**.....11

**SYSTEM PARTS COMPRESSOR COMPARTMENT** .....11

**DIAGRAMS**.....13

**WIRING DIAGRAM**.....13

**NOTE: In Parts Listings**

N.I. = Not Illustrated  
N.P.A. = No Part Available  
N.P.N. = Not Used on this Model

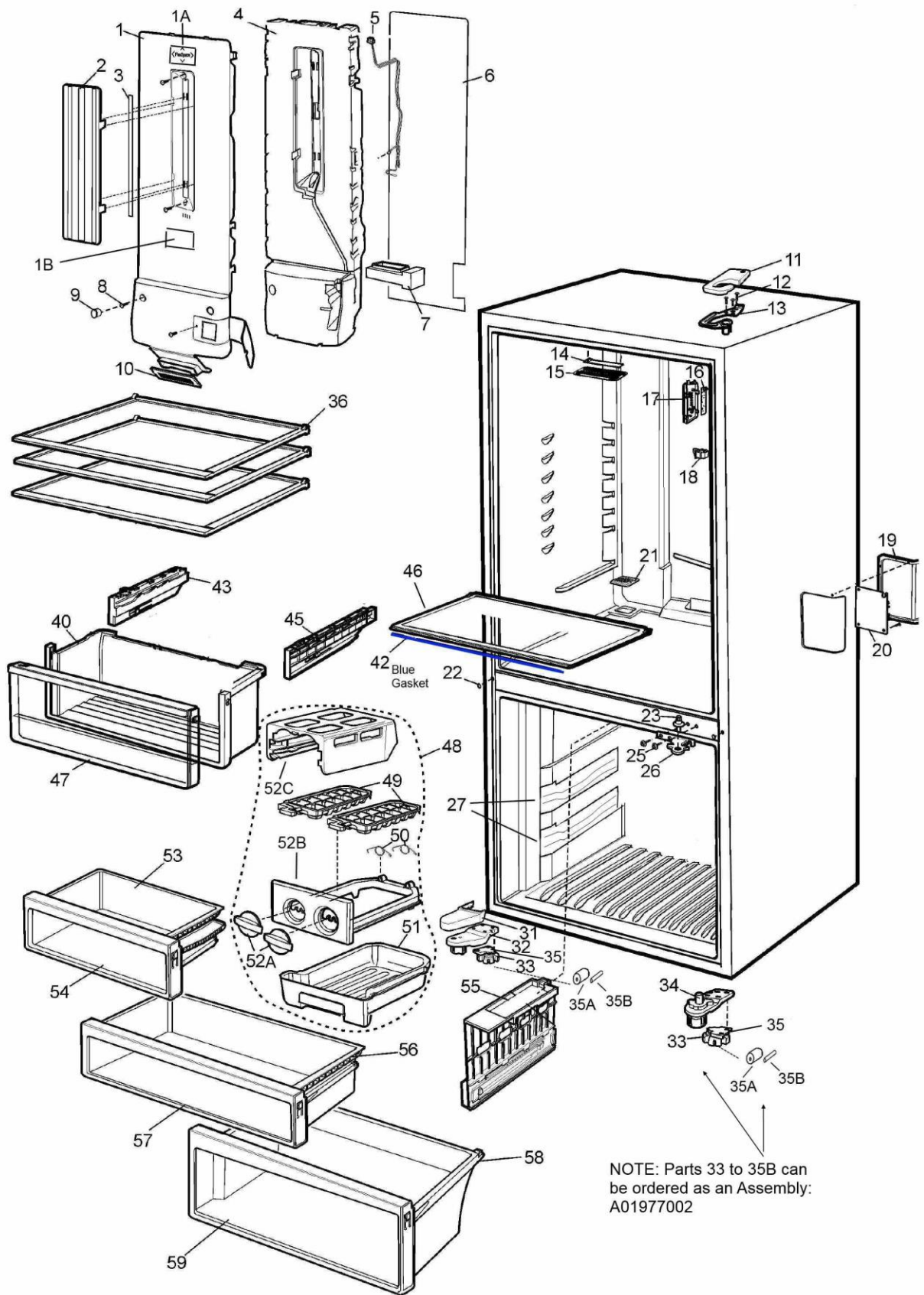
## DOOR PANELS – Quick Guide

PART No. DOOR SPARE FC	DESCRIPTION	MODEL	PNC
A16287034	DOOR SPARE FC	WBE4500WB-R	925060540
A16287086	DOOR SPARE FZR	WBE4500WB-R	925060540
A16287035	DOOR SPARE FC	WBE4500WB-L	925060541
A16287087	DOOR SPARE FZR	WBE4500WB-L	925060541
A16287036	DOOR SPARE FC+FZR	WBE4500SB-R	925060542
A16287037	DOOR SPARE FC+FZR	WBE4500SB-L	925060543
A16287038	DOOR SPARE FC	WBE5300WB-R	925060546
A16287088	DOOR SPARE FZR	WBE5300WB-R	925060546
A16287039	DOOR SPARE FC	WBE5300WB-L	925060547
A16287089	DOOR SPARE FZR	WBE5300WB-L	925060547
A16287040	DOOR SPARE FC+FZR	WBE5300SB-R	925060548
A16287041	DOOR SPARE FC+FZR	WBE5300SB-L	925060549
A16287093	DOOR SPARE FZR+FC	WBE5300BB-R	925060669
A17859701	DOOR SPARE FZR+FC	WBE5300BB-L	925060670
A16287096	DOOR SPARE FZR+FC	WBE4500BB-R	925060665
A16287098	DOOR SPARE FZR+FC	WBE4500BB-L	925060666

# EXPLODED VIEWS & PARTS LISTS

MODEL: WBE4500WB-SB-BB, WBE5300WB-SB-BB

CABINET INTERIOR

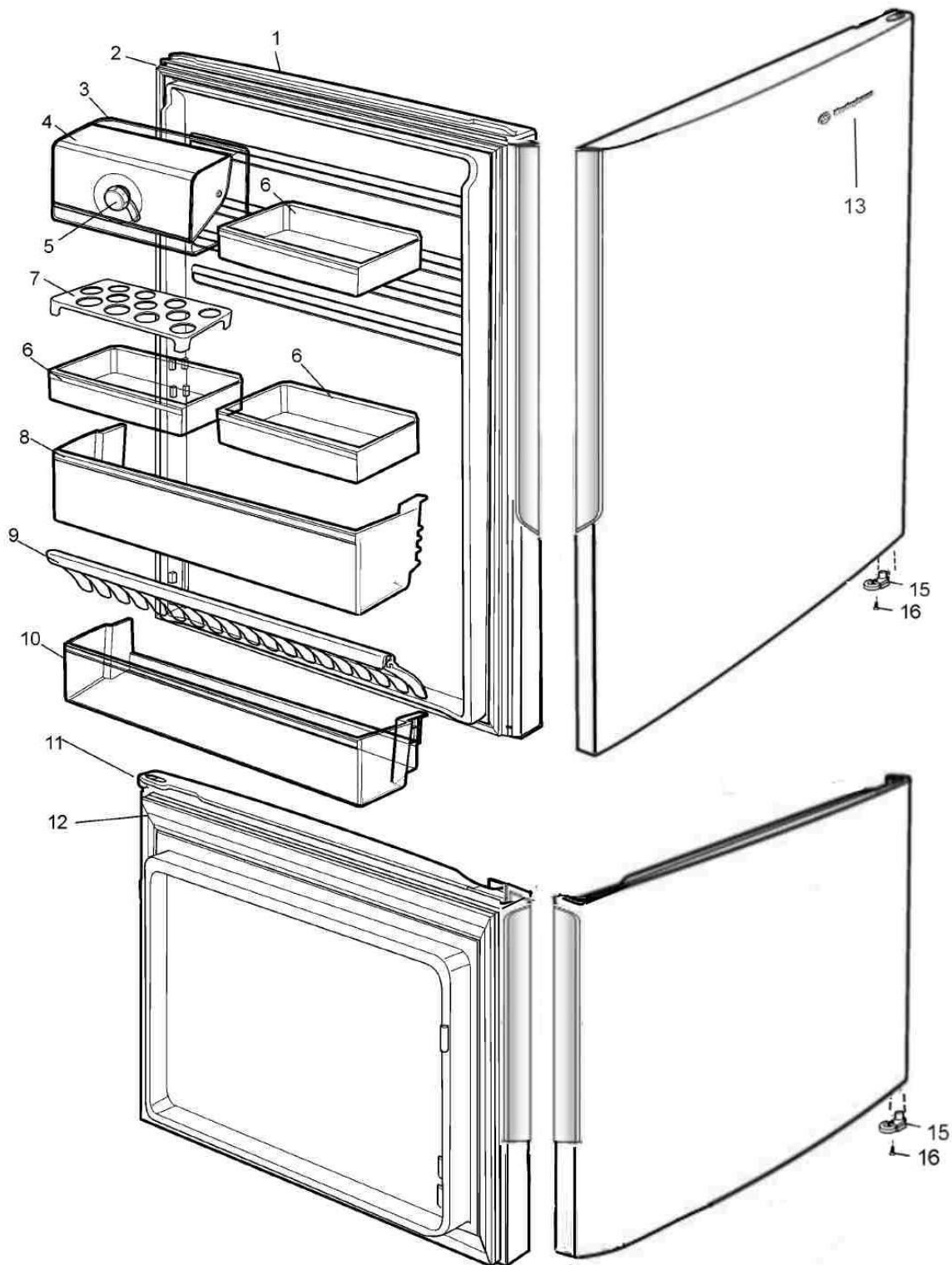


ITEM	PART No.	PART DESCRIPTION	WBE4500WB-L	WBE4500WB-R	WBE4500SB-L	WBE4500SB-R	WBE4500BB-L	WBE4500BB-R	WBE5300WB-L	WBE5300WB-R	WBE5300SB-L	WBE5300SB-R	WBE5300BB-L	WBE5300BB-R
1 ML00	A00748906	MULTIFLOW ASSY BF FLAT PINOT	1	1	1	1	1	1	1	1	1	1	1	1
1 ML01	A00748909	MULTIFLOW ASSY BF FLAT PINOT	1	1	1	1	1	1	1	1	1	1	1	1
1A	A00685409	COVER DEODORIZER WHT FS	1	1	1	1	1	1	1	1	1	1	1	1
1B	N.P.N	TASTE GUARD WITH FILTER.	1	1	1	1	1	1	1	1	1	1	1	1
2	A01098401	LENS COVER BLUE ASSY	1	1	1	1	1	1	1	1	1	1	1	1
3	807717401	PCBA G_SSLB	1	1	1	1	1	1	1	1	1	1	1	1
4	A00773302	EPS MULTIFLOW BF1725 WEST	1	1	1	1	1	1	1	1	1	1	1	1
5 ML00	A05257410	HARNESS-ASSY M/FLOW BF WEST	1	1	1	1	1	1	1	1	1	1	1	1
5 ML01	A05257413	HARNESS-ASSY M/FLOW BF WEST	1	1	1	1	1	1	1	1	1	1	1	1
6	A00790801	SEALING MFLOW BACK BF 1725	1	1	1	1	1	1	1	1	1	1	1	1
7	811549301	BAFFLE MOTOR ASSY FBZA-1750-3D	1	1	1	1	1	1	1	1	1	1	1	1
8	811949503	SCREW	1	1	1	1	1	1	1	1	1	1	1	1
9	A00906801	COVER SCREW MULTIFLOW LH	1	1	1	1	1	1	1	1	1	1	1	1
	A00906802	COVER SCREW MULTIFLOW RH	1	1	1	1	1	1	1	1	1	1	1	1
10	811909103	SEAL FOAM BOTTOM MF PINOT BF-N	1	1	1	1	1	1	1	1	1	1	1	1
11	A00828101	COVER TOP HINGE LEFT GR			1		1				1		1	
11	A00828102	COVER TOP HINGE LEFT WHT	1						1					
11	A00828001	COVER TOP HINGE RIGHT GR				1		1					1	1
11	A00828002	COVER TOP HINGE RIGHT WHT		1						1				
12	811949401	SCREW TRILOB M5X16	3	3	3	3	3	3	3	3	3	3	3	3
13	A00354402	HINGE TOP LEFT	1		1		1		1		1		1	
13	A00354401	HINGE TOP RIGHT		1		1		1		1		1		1
14	242196207	PCB 3 LEDS CLUSTER GALAGA top panel	1	1	1	1	1	1	1	1	1	1	1	1
15	242202701	LENS 3 LEDS CLUSTER	1	1	1	1	1	1	1	1	1	1	1	1
16	A01084003	PCBA UI 2ZONE WH BF INTL WHT	1	1	1	1	1	1	1	1	1	1	1	1
17	A04066704	DISPLAY UI 2ZONE BF INT WHT	1	1	1	1	1	1	1	1	1	1	1	1
18	811943601	SWITCH DOOR	1	1	1	1	1	1	1	1	1	1	1	1
19	A01277301	HOUSING REAR PCB COVER	1	1	1	1	1	1	1	1	1	1	1	1
20	A01028911	PCB MAIN ERF2003 8W INT UI	1	1	1	1	1	1	1	1	1	1	1	1
21	A00896401	COVER GRID AIR RETURN BF	2	2	2	2	2	2	2	2	2	2	2	2
22	N.P.N	RIVET (can be replaced with part 25)	1	1	1	1	1	1	1	1	1	1	1	1
23	A01604801	CENTRE HINGE PIN SWING DOOR	1	1	1	1	1	1	1	1	1	1	1	1
25	811949401	SCREW TRILOB M5X16	2	2	2	2	2	2	2	2	2	2	2	2
26	A01604503	CENTRE HINGE BASE ASSY	1	1	1	1	1	1	1	1	1	1	1	1
27	A01054407	EXTENSION SLIDE ASSY LH 300MM	3	3	3	3	3	3	3	3	3	3	3	3
27	A01054408	EXTENSION SLIDE ASSY RH 300MM	3	3	3	3	3	3	3	3	3	3	3	3
31	A01817903	COVER LH HINGE GREY	1		1		1		1		1		1	
31	A01817904	COVER RH HINGE GREY		1		1		1		1		1		1
32	A01819902	HINGE BASE LEFT ASSY	1		1		1		1		1		1	
33	A01819302	NUT, FOOT BASE THREAD, (FOOT LEVER)	2	2	2	2	2	2	2	2	2	2	2	2
34	A01819901	HINGE BASE RIGHT ASSY		1		1		1		1		1		1
35	A01819101	FOOT BASE THREAD	2	2	2	2	2	2	2	2	2	2	2	2

ITEM	PART No.	PART DESCRIPTION	WBE4500WB-L	WBE4500WB-R	WBE4500SB-L	WBE4500SB-R	WBE4500BB-L	WBE4500BB-R	WBE5300WB-L	WBE5300WB-R	WBE5300SB-L	WBE5300SB-R	WBE5300BB-L	WBE5300BB-R
35A	A01819201	ROLLER, FOOT	2	2	2	2	2	2	2	2	2	2	2	2
35B	A01808801	AXIS, ROLLER FRONT (SHAFT)	2	2	2	2	2	2	2	2	2	2	2	2
36	A00821601	SHELF FC TF70W	3	3	3	3	3	3						
36	A00821602	SHELF FC TF80W							3	3	3	3	3	3
40	A00793502	DRAWER BODY BF70 AOF	1	1	1	1	1	1						
40	A00793503	DRAWER BODY BF80 AOF							1	1	1	1	1	1
42	A02644401	CRISPER GASKET 70	1	1	1	1	1	1						
42	A02644402	CRISPER GASKET 80							1	1	1	1	1	1
43	A01936901	CRISPER SUPPORT LH (Part of 46)	1	1	1	1	1	1	1	1	1	1	1	1
45	A01936902	CRISPER SUPPORT RH (Part of 46)	1	1	1	1	1	1	1	1	1	1	1	1
46	A01937102	CRISPER COVER ASSY WH							1	1	1	1	1	1
46	A01937101	CRISPER COVER ASSY BF70 WH	1	1	1	1	1	1						
47	A00793615	DRAWER FRONT BF70 FLAT WH ASSY	1	1	1	1	1	1						
47	A00793616	DRAWER FRONT BF80 FLAT WH ASSY							1	1	1	1	1	1
48	811956701	TWIST & SERVE ICE ASSY (Inc 49,52A,52B)	1	1	1	1	1	1	1	1	1	1	1	1
51	811956601	BIN ICE PACIFIC CLEAR	1	1	1	1	1	1	1	1	1	1	1	1
52A	Refer Item 48	KNOB, TWIST & SERVE	x	x	x	x	x	x	x	x	x	x	x	x
52B	Refer Item 48	TRAY BODY	x	x	x	x	x	x	x	x	x	x	x	x
52C	A01959301	ICE MAKER BRACKET	1	1	1	1	1	1	1	1	1	1	1	1
53	A00896203	DRAWER PASTRY BODY BF 70 FLAT	1	1	1	1	1	1						
53	A00896204	DRAWER PASTRY BODY BF 80 FLAT							1	1	1	1	1	1
54	A01054103	DRAWER FZR FR UPR ASY 70 WH	1	1	1	1	1	1						
54	A01054106	DRAWER FZR FR UPR ASY 80 WH							1	1	1	1	1	1
55	A01959701	SUPPORT PASTRY SLIDE LH	1	1	1	1	1	1	1	1	1	1	1	1
55	A02154402	SUPPORT PASTRY SLIDE RH	1	1	1	1	1	1	1	1	1	1	1	1
56	A00354101	DRAWER MIDDLE BODY BF70	1	1	1	1	1	1						
56	A00354102	DRAWER MIDDLE BODY BF80							1	1	1	1	1	1
57	A01054107	DRAWER FZR FR MID ASY 70 WH FT	1	1	1	1	1	1						
57	A01054108	DRAWER FZR FR MID ASY 80							1	1	1	1	1	1
58	A01051801	DRAWER LOWER BODY BF70	1	1	1	1	1	1						
58	A01051802	DRAWER LOWER BODY BF80							1	1	1	1	1	1
59	A01054101	DRAWER FZR FR LWR ASY 70 WH	1	1	1	1	1	1						
59	A01054104	DRAWER FZR FR LWR ASY 80 WH							1	1	1	1	1	1
N.I.	811971601	COVER SCREW	1	1	1	1	1	1	1	1	1	1	1	1
N.I.	807665901	SCREW TRILOB M3X6	4	4	4	4	4	4	5	5	4	4	4	4
N.I.	807826801	SCREW TRILOB M6x18	2	2	2	2	2	2	2	2	2	2	2	2
N.I.	A01977002	ROLLER FIXED FOOT ASSY (Inc 33-35B)	2	2	2	2	2	2	2	2	2	2	2	2

**MODEL: WBE4500WB-SB-BB, WBE5300WB-SB-BB**

**DOOR ASSEMBLY**

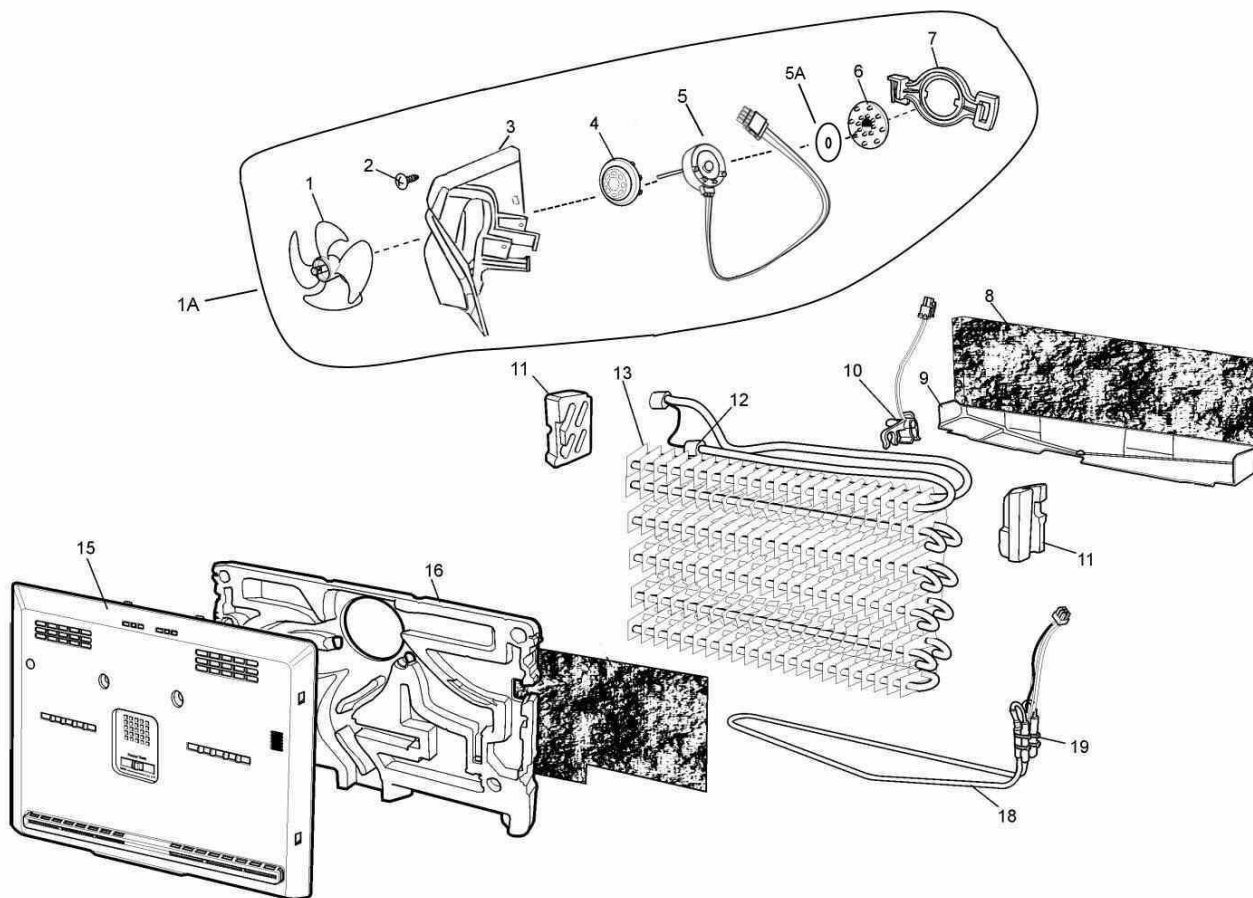


ITEM	PART No.	PART DESCRIPTION	WBE4500WB-L	WBE4500WB-R	WBE4500SB-L	WBE4500SB-R	WBE4500BB-L	WBE4500BB-R	WBE5300WB-L	WBE5300WB-R	WBE5300SB-L	WBE5300SB-R	WBE5300BB-L	WBE5300BB-R
1	Refer Page 3	DOOR FOOD CAB	1	1	1	1	1	1	1	1	1	1	1	1
2	811988546	GASKET FC BF70	1	1	1	1	1	1						
2	811988547	GASKET FC BF80							1	1	1	1	1	1
3	N.P.A	PART OF ITEM 4												
4	A00803103	DOOR BIN LOCKABLE TF70 WH ASY	1	1	1	1	1	1						
4	A00803107	DOOR BIN LOCKABLE TF80 WH ASSY							1	1	1	1	1	1
5	N.P.A	PART OF ITEM 4												
6	A00804202	DOOR BIN FLEX 70 WH-HOTFOIL	3	3	3	3	3	3						
6	A00804204	DOOR BIN FLEX 80 WH-HOTFOIL							3	3	3	3	3	3
7	A00807801	TRAY EGG 70W	1	1	1	1	1	1						
7	A00807802	TRAY EGG 80W							1	1	1	1	1	1
8	A00804702	DOOR BIN FC SHALL 70 WH-	1	1	1	1	1	1						
8	A00804704	DOOR BIN FC SHALL 80 WH-							1	1	1	1	1	1
9	A00805601	DOOR BIN FINGER TF70W WH	1	1	1	1	1	1						
9	A00807701	DOOR BIN FINGER TF80 WH							1	1	1	1	1	1
10	A00805402	DOOR BIN FC BOTTLE TF70W	1	1	1	1	1	1						
10	A00807502	DOOR BIN FC BOTTLE TF80							1	1	1	1	1	1
11	Refer Page 3	DOOR FREEZER	1	1	1	1	1	1	1	1	1	1	1	1
12	811988544	GASKET FRZ BF70	1	1	1	1	1	1						
12	811988545	GASKET FRZ BF80							1	1	1	1	1	1
13	1458193	BADGE WESTINGHOUSE	1	1	1	1	1	1	1	1	1	1	1	1
15	A01046504	BEARING AUTO CLOSER L TF SL			2		2				2		2	
15	A01046503	BEARING AUTO CLOSER L TF WHT	2						2					
15	A01046502	BEARING AUTO CLOSER R TF SL				2		2				2		2
15	A01046501	BEARING AUTO CLOSER R TF WHT		2						2				
16	811949503	SCREW TRUSS 4.2X13	1	1	1	1	1	1	1	1	1	1	1	1
N.I.	811986810	RAIL DOOR SUPPORT WHT	3	3	3	3	3	3						
N.I.	811986811	RAIL DOOR SUPPORT WHT							3	3	3	3	3	3



**MODEL: WBE4500WB-SB-BB, WBE5300WB-SB-BB**

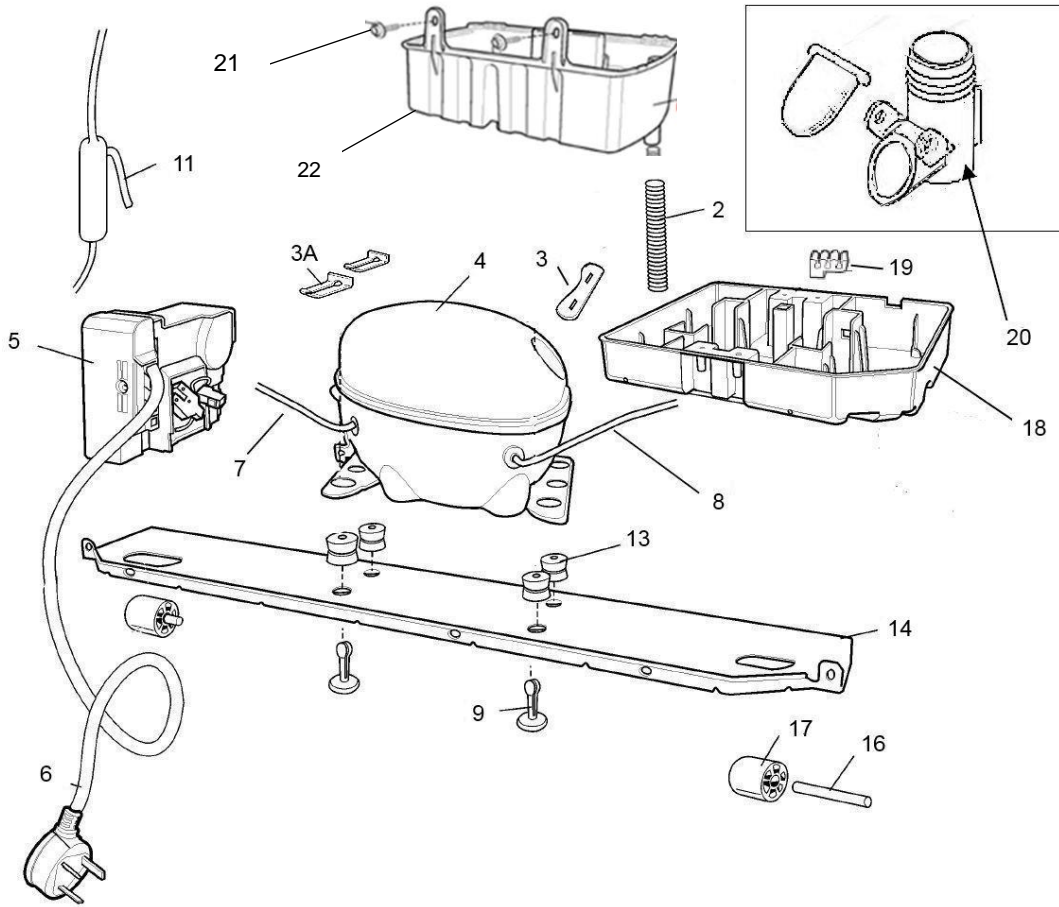
**FREEZER SYSTEM PARTS**



ITEM	PART No.	PART DESCRIPTION	WBE4500WB-L	WBE4500WB-R	WBE4500SB-L	WBE4500SB-R	WBE4500BB-L	WBE4500BB-R	WBE5300WB-L	WBE5300WB-R	WBE5300SB-L	WBE5300SB-R	WBE5300BB-L	WBE5300BB-R
1	811699602	BLADE FAN,NAT	1	1	1	1	1	1	1	1	1	1	1	1
1A	811975407	FAN SHROUD ASSY.	1	1	1	1	1	1	1	1	1	1	1	1
2	N.P.N.	SCREW	X	X	X	X	X	X	X	X	X	X	X	X
3	811975001	SHROUD FAN BF	1	1	1	1	1	1	1	1	1	1	1	1
4	A15385901	GROMMET FAN PANA DC FAN	1	1	1	1	1	1	1	1	1	1	1	1
5	809069208	MOTOR FAN PAN DC 3W MDR4	1	1	1	1	1	1	1	1	1	1	1	1
5A	A13958601	WASHER SLINGER NYLON (part is for reference only)												
6	1446048	GROMMET, FAN MOTOR	1	1	1	1	1	1	1	1	1	1	1	1
7	A02164801	RETAINER CLIP	1	1	1	1	1	1	1	1	1	1	1	1
9	A01097401	TRAY EVAP DRAIN BM/SD 70W	1	1	1	1	1	1						
9	A01098301	TRAY EVAP DRAIN BM/SD 80W							1	1	1	1	1	1
10	811980402	CLAMP NTC EVAPORATOR	1	1	1	1	1	1	1	1	1	1	1	1
11	A02249601	SUPPORT EVAPORATOR BF	2	2	2	2	2	2	2	2	2	2	2	2
12	811909403	MASTIC	1	1	1	1	1	1	1	1	1	1	1	1
13	A04063201	EVAPORATOR FF BF70	1	1	1	1	1	1						
13	A04063202	EVAPORATOR FF BF80							1	1	1	1	1	1
15 ML00	A00906901	COVER EVAPORATOR ASY BF70 2Z	1	1	1	1	1	1						
15 ML01	A00906909	COVER EVAPORATOR ASY BF70 2Z	1	1	1	1	1	1						
15 ML00	A00906902	COVER EVAPORATOR ASY BF80 2Z							1	1	1	1	1	1
15 ML01	A00906910	COVER EVAPORATOR ASY BF80 2Z							1	1	1	1	1	1
16	A00897601	EPS EVAPORATOR BF 70	1	1	1	1	1	1						
16	A00897602	EPS EVAPORATOR BF 80							1	1	1	1	1	1
18	A01058204	HEATER RAD DEF R600 240V BF70W	1	1	1	1	1	1						
18	A01058203	HEATER RAD DEF R600 240V BF80W							1	1	1	1	1	1
19 ML00	A12676001	HARNESS-ASSY SENSOR FZR DF/TEMP	1	1	1	1	1	1	1	1	1	1	1	1
19 ML01	A12676004	HARNESS-ASSY SENSOR FZR DF/TEMP (Alternative to A12676001)	1	1	1	1	1	1	1	1	1	1	1	1

**MODEL: WBE4500WB-SB-BB, WBE5300WB-SB-BB**

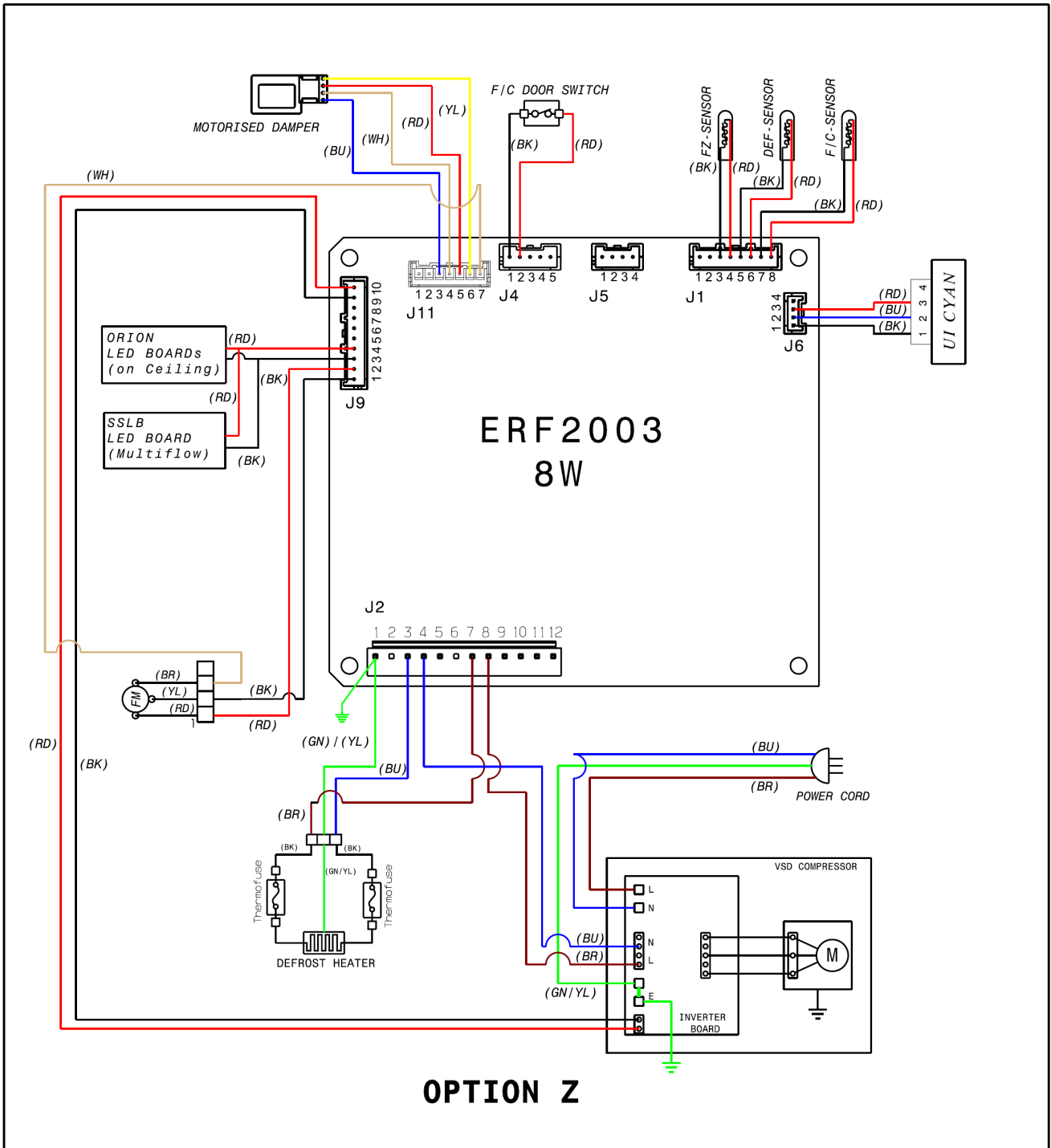
**SYSTEM PARTS COMPRESSOR COMPARTMENT**



ITEM	PART No.	PART DESCRIPTION	Models	
			400	500
2	A02359902	TUBE CORRUGATE BF	1	1
3	811998601	CLAMP COMPRESSOR	2	2
3A	A04326602	CLAMP COMPRESSOR SINGLE (Alternative to item 3)	4	4
4	242508872	COMPRESSOR ACC HKK70VSD	1	1
5	A05850028	PCBA FLEX DRIVE 2.2 HKK70VSD	1	1
6	A03593404	POWER CORD INV AU/NZ FERITE	1	1
7	A04539601	TUBE JUMPER H/X 7EMBRACO	1	
7	A04539602	TUBE JUMPER H/X 8EMBRACO		1
8	808293601	TUBE PROCESS	1	1
10	ES5332	DRYER	1	1
13	811978901	MOUNT, COMPRESSOR	4	4
14	807822703	BASE PLATE	1	1
16	811998301	AXLE, ROLLER	2	2
17	A01819201	ROLLER FOOT	2	2
18	A01262601	DRAIN PAN DYN CON	1	1
19	A03637801	SPACER 3 TURN HEATER	2	2
20	811976001	VALVE DRAIN ASSY BF	1	1
21	519092015	SCREW (4,8X16 CP/C15)	2	2
22	A01262501	DRAIN PAN SD	1	1
N.I.	A03633603	HEATER TUBE DRAIN PAN (TYPE M)	1	1

# DIAGRAMS

## WIRING DIAGRAM



<b>Publication Version Control Chart</b>		
<b>Issue Number</b>	<b>Reason</b>	<b>Date</b>
1	Original Document.	25-07-2019
2	Incorporates ML01 changes to models (ECN-113805 re the main harness).	27-11-2019