

Electrolux

ELECTROLUX HOME PRODUCTS PTY LTD

ABN 51 004 762 341

Technical Publication Nº RE1014

Issue: 2

Date: 10/17



MODELS:

KBM4502AA-R 925060085

KBM4502WA-R 925060084

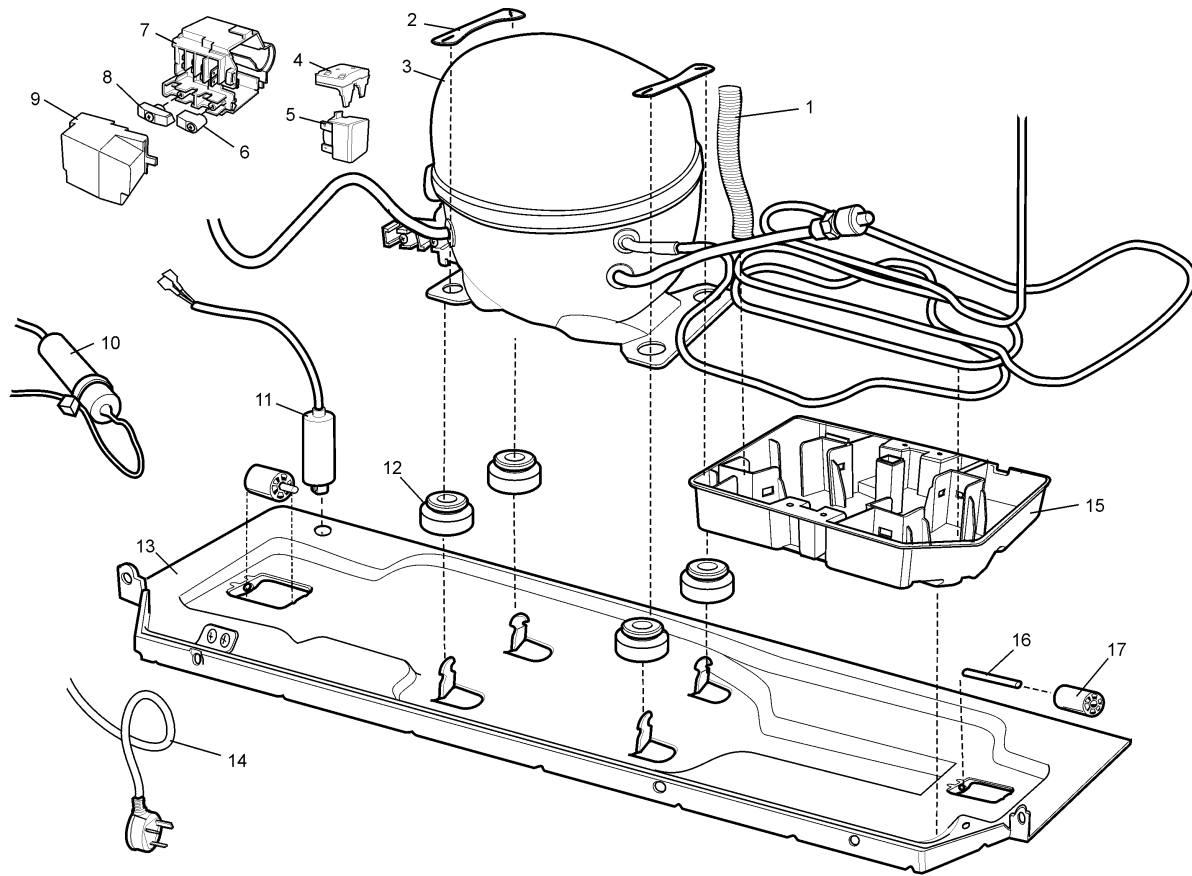
KBM5302AA-R 925060087

KBM5302WA-R 925060086

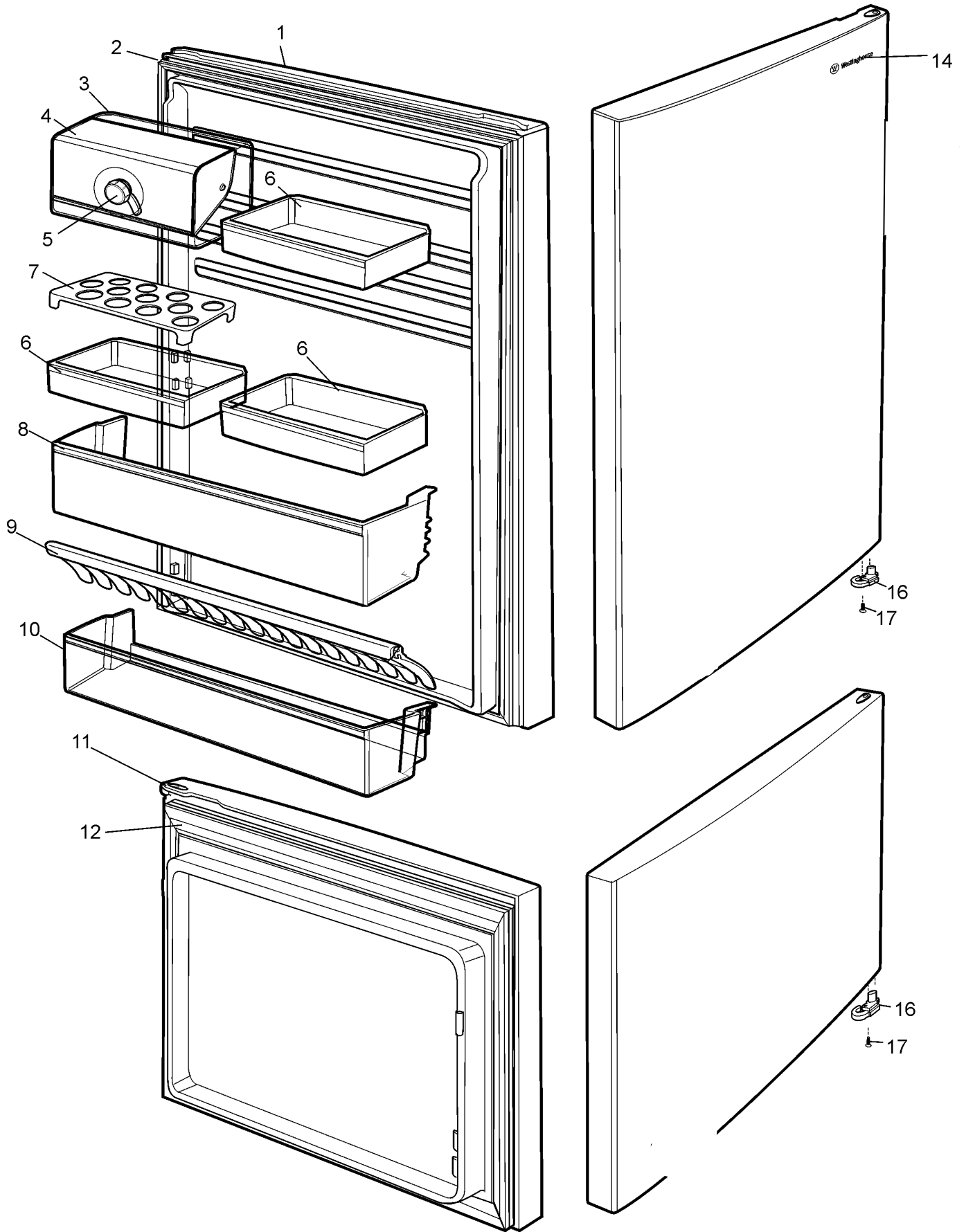
INDEX SECTION	PAGE Nº
Index & Door Kits	2
Machine Compartment	3
Door Listing	4-5
Cabinet	6-7
Freezer	8-9
Wiring Diagram	10

Complete Door Kits

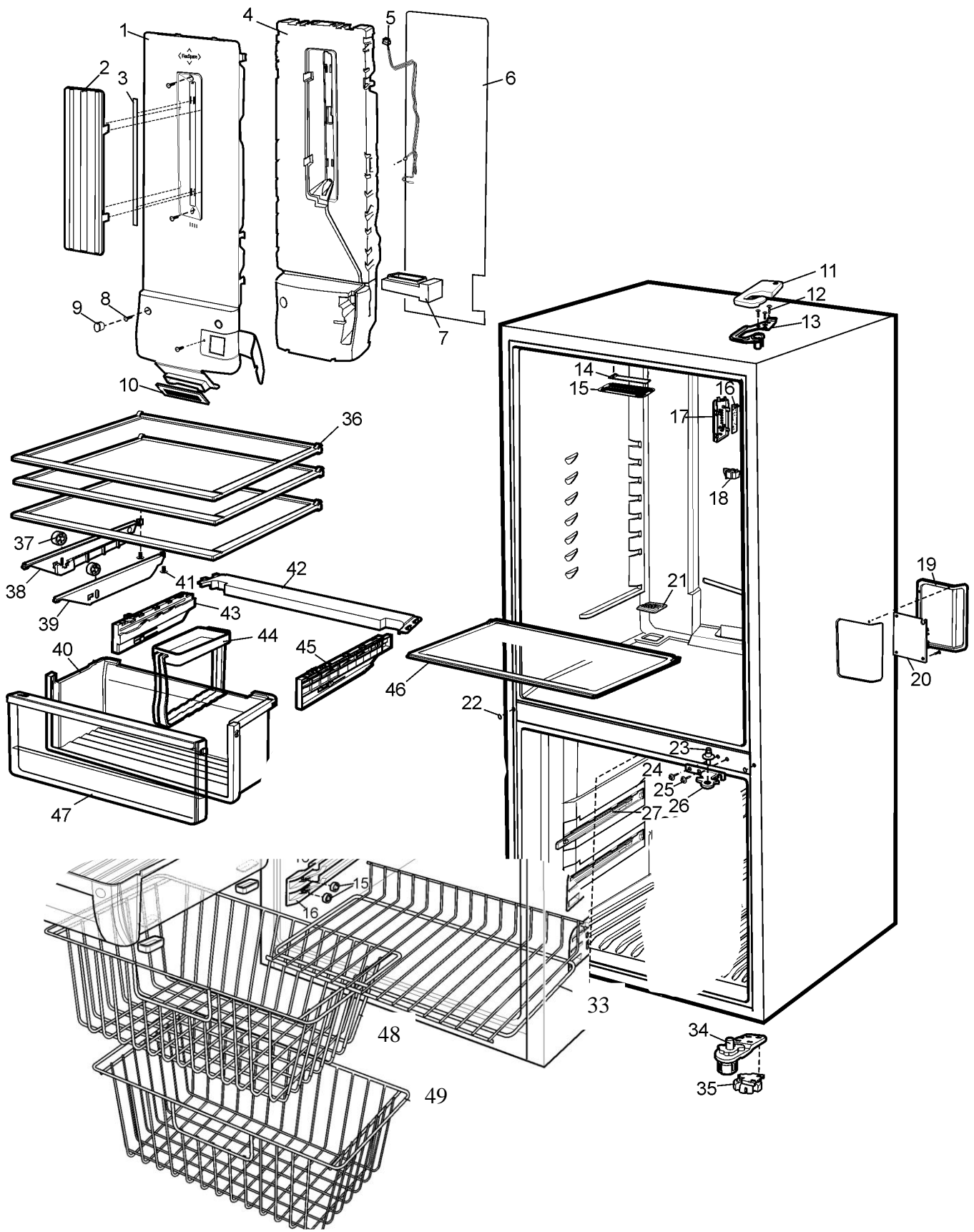
Item	PN	Description	Model	PNC
11	A04028559	DOOR SPARE FZR	KBM4502AA-R	925060085
1	A04028560	DOOR SPARE FC	KBM4502AA-R	925060085
11	A04028561	DOOR SPARE FZR	KBM4502WA-R	925060084
1	A04028562	DOOR SPARE FC	KBM4502WA-R	925060084
11	A04028563	DOOR SPARE FZR	KBM5302AA-R	925060087
1	A04028564	DOOR SPARE FC	KBM5302AA-R	925060087
11	A04028565	DOOR SPARE FZR	KBM5302WA-R	925060086
1	A04028566	DOOR SPARE FC	KBM5302WA-R	925060086



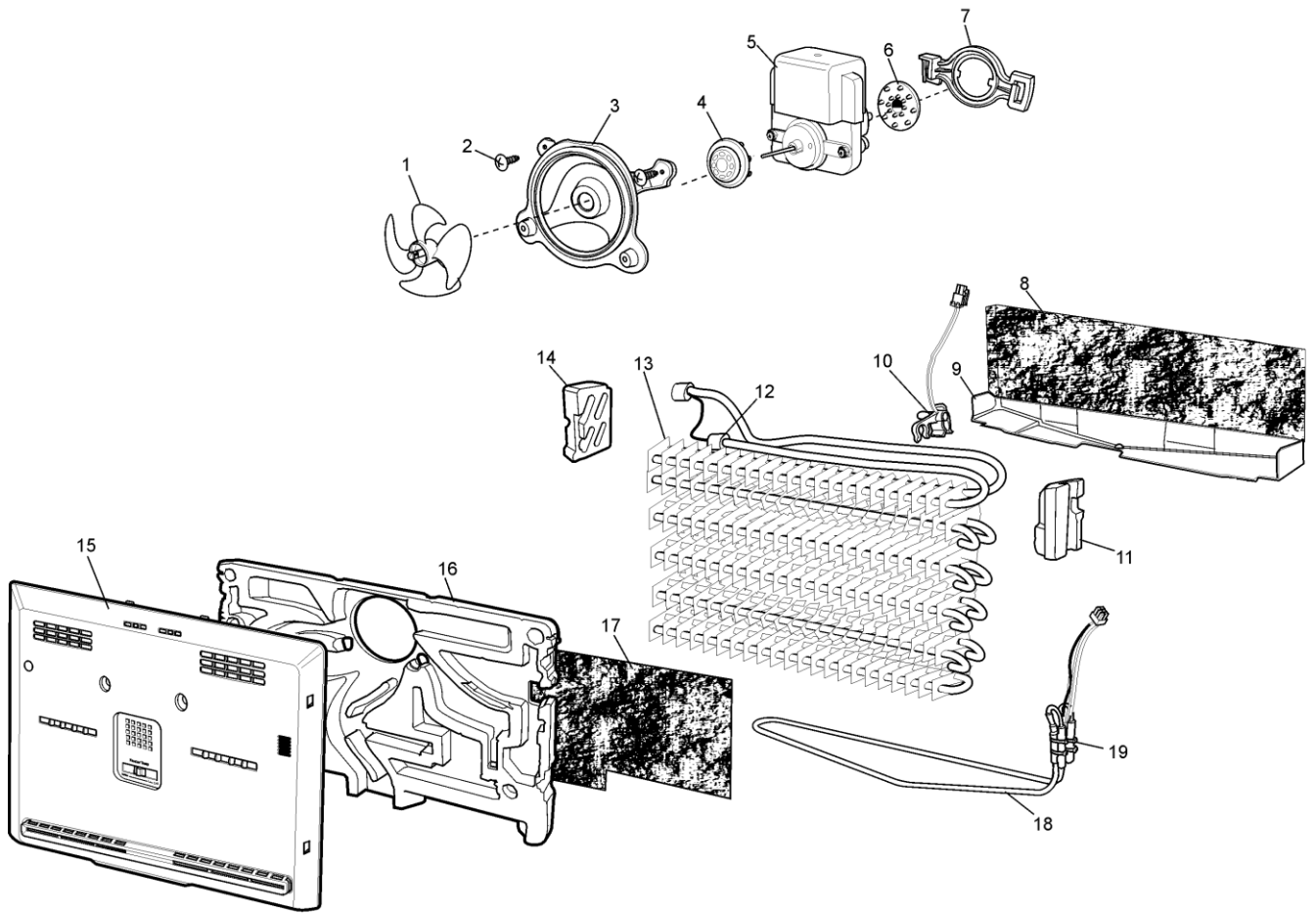
Item	Part N°	Part Description	Ex 8274	Models	
				400	500
1	A02359902	TUBE CORRUGATE BF		1	1
2	811998601	CLAMP COMPRESSOR		2	2
3	A03343303	COMPRESSOR EMB66CLC		1	1
4	A04138401	OVERLOAD PROTECTOR EMBRACO		1	1
5	A04138501	STARTING DEVICE QPA-20A		1	1
6	PART OF 7	CLAMP		1	1
7	A04138201	TERMINAL BLOCK EMBRACO		1	1
8	PART OF 7	CLAMP		1	1
9	A04138301	TERMINAL COVER EMBRACO		1	1
10	ES5332	DRYER		1	1
11	811945601	CAPACITOR RF 4UF-6.3MM		1	1
12	811978901	MOUNT, COMPRESSOR		4	4
13	N P N	BASE PLATE		1	1
14	1446050	CORD, SERVICE		1	1
15	A01262601	DRAIN PAN DYN CON		1	1
16	811998301	AXLE, ROLLER		2	2
17	A01819201	ROLLER FOOT		2	2
18	A03633601	HEATER TUBE DRAIN PAN (TYPE M)		1	1
NI	A04539601	TUBE JUMPER H/X 7EMBRACO		1	
NI	A04539602	TUBE JUMPER H/X 8EMBRACO			1
NI	808293601	TUBE PROCESS		1	1
NI	811976001	VALVE DRAIN ASSY BF		1	1



Item	Part Number	Part Description	Ex. 8331	Model			
				KBM4502WA	KBM4502AA	KBM5302WA	KBM5304AA
1	Refer Page 2	DOOR FOOD CAB REFER TABLE PAGE 2		1	1	1	1
2	811988546	GASKET FC BF70		1	1		
	811988547	GASKET FC BF80				1	1
3	N.P.A	PART OF ITEM 4		1	1	1	1
4	A00803103	DOOR BIN DAIRY TF70 (ACCESSORY ONLY)		1	1		
	A00803107	DOOR BIN DAIRY TF80 (ACCESSORY ONLY)				1	1
5	N.P.A	PART OF ITEM 4		1	1	1	1
6	A00804302	BIN DOOR FLEX 1/2 TF70W EL		4	4		
	A00806602	BIN DOOR FLEX 1/2 TF80W EL				4	4
7	A00807801	TRAY EGG 70W		1	1		
	A00807802	TRAY EGG 80W				1	1
8	A00804802	BIN DOOR FC SHALLOW 70 EL		1	1		
	A00807002	BIN DOOR FC SHALLOW 80 EL				1	1
9	N.P.N.	NOT USED IN THIS MODEL		0	0	0	0
10	A01498501	BIN DOOR FC BOTTLE TF70 EL		1	1		
	A01498601	BIN DOOR FC BOTTLE TF80 EL				1	1
11	Refer Page 2	DOOR FREEZER, REFER TABLE PAGE 2		1	1	1	1
12	811988544	GASKET FRZ BF70		1	1		
	811988545	GASKET FRZ BF80				1	1
14	1458784	BADGE KELVINATOR (Not as Illustrated)		1	1	1	1
16	A01046501	BEARING AUTO CLOSER R WHT		2		2	
16	A01046502	BEARING AUTO CLOSER R SL			2		2
17	N.P.A	SCREW		x			
NI	A01068402	BEARING HINGE FC TOP TF SL L		1		1	
NI	A01068404	BEARING HINGE FC TOP TF SL R			1		1
NI	A01069001	BEARING HINGE FZR TOP OPEN		1	1	1	1



Item	Part N°	Part Description	Ex. 8276	Model			
				KBM4502WA	KBM4502AA	KBM5302WA	KBM5304AA
1	A00748903	MULTIFLOW ASSY BF WH AU		1	1	1	1
2	NOT USED	LENS COVER BLUE ASSY		0	0	0	0
3	NOT USED	PCB LED 6 rear panel		0	0	0	0
4	REFER ITEM 1	PART OF MULTIFLOW ASSY ONLY		1	1	1	1
5	A01043508	HARNESS-ASSY MULTIFLOW SENSOR		1	1	1	1
6	REFER ITEM 1	PART OF MULTIFLOW ASSY ONLY		1	1	1	1
7	A03112501	BAFFLE SLIDE BACK		1	1	1	1
	811974801	BAFFLE SLIDER FRONT BF		1	1	1	1
8	811949503	SCREW TRUSS 4.2X13		4	4	4	4
9	A00906801	COVER SCREW MULTIFLOW LH		1	1	1	1
	A00906802	COVER SCREW MULTIFLOW RH		1	1	1	1
10	REFER ITEM 1	PART OF MULTIFLOW ASSY ONLY		1	1	1	1
11	A00828001	COVER TOP HINGE RIGHT GR			1		1
	A00828002	COVER TOP HINGE RIGHT WHT		1		1	
12	811949401	SCREW		3	3	3	3
13	A00354401	HINGE TOP RIGHT		1	1	1	1
14	242196207	PCB 3 LEDS top panel		1	1	1	1
15	242202701	LENS 3 LEDS CLUSTER		1	1	1	1
16	Not used	PCB DISPLAY		x	x	x	x
17	Not used	DISPLAY		x	x	x	x
18	811943601	SWITCH DOOR		1	1	1	1
19	A01277301	HOUSING REAR PCB COVER		1	1	1	1
20	A01028601	PCB MAIN ERF1600I		1	1	1	1
21	A00896401	COVER GRID AIR RETURN BF		2	2	2	2
22	N.P.N	RIVET (can be replaced with part 25)		1	1	1	1
23	A01604801	CENTRE HINGE PIN SWING DOOR		1	1	1	1
24	A01381501	EXTENSION SLIDE INSERT FZR LH		2	2	2	2
25	811949401	SCREW		2	2	2	2
26	A01604503	CENTRE HINGE BASE ASSY		1	1	1	1
27	A03791301	SUPPORT WIRE SHELF LH		3	3	3	3
	A03791302	SUPPORT WIRE SHELF RH		3	3	3	3
33	A01935001	SHELF WIRE FREEZER		1	1		
	A01935002	SHELF WIRE FREEZER				1	1
34	A01819901	HINGE BASE RIGHT ASSY		1	1	1	1
35	A01819302	FOOT LEVER		2	2	2	2
36	A00821601	SHELF FC TF70W		3	3		
	A00821602	SHELF FC TF80W				3	3
37	Part of 46	ROLLER		2	2	2	2
38	Part of 46	SUPPORT/BRACKET, LH		1	1	1	1
39	Part of 46	SUPPORT/BRACKET, RH		1	1	1	1
40	A00793501	DRAWER BODY BF70		1	1		
	A00793505	DRAWER BODY BF80				1	1
41	N.PN	SCREW		x	x	x	x
42	A02644401	CRISPER GASKET 70		1	1		
	A02644402	CRISPER GASKET 80				1	1
43	A01475404	CRISPER SUPPORT LH		1	1	1	1
44	A00798102	DRAWER DIVIDER BF WH-ART		1	1	1	1
45	A01475403	CRISPER SUPPORT RH		1	1	1	1
46	A01937102	CRISPER COVER ASSY WH				1	1
	A01937101	CRISPER COVER ASSY BF70 WH		1	1		
47	A03217401	DRAWER FRONT BF70 ASSY		1	1		
	A03217402	DRAWER FRONT BF80 ASSY				1	1
48	A01087601	DRAWER WIRE BASKET LOW BF70		1	1		
	A01087602	DRAWER WIRE BASKET LOW BF80				1	1
49	A03929701	DRAWER WIRE BASKET MID BF70		1	1		
	A03929702	DRAWER WIRE BASKET MID BF80				1	1



Item	Part N°	Part Description Ex. 8277	Model			
			KBM4502WA	KBM4502AA	KBM5302WA	KBM5304AA
1	1451299	BLADE FAN	1	1	1	1
2	N.P.N	SCREW				
3	811975001	SHROUD FAN BF	1	1	1	1
4	1446048	GROMMET, FAN MOUNTING	1	1	1	1
5	809069203	MOTOR FAN PANASONIC DC 3W	1	1	1	1
6	1446048	GROMMET, FAN MOUNTING	1	1	1	1
7	811974301	BRACKET FAN REAR	1	1	1	1
9	A01097401	TRAY EVAP DRAIN BM/SD 70W	1	1		
	A01098301	TRAY EVAP DRAIN BM/SD 80W			1	1
10	811980402	CLAMP NTC EVAPORATOR	1	1	1	1
11	A02332901	SUPPORT EVAP RH	1	1	1	1
12	811909402	MASTIC	1	1	1	1
13	A04063201	EVAPORATOR FF BF70	1	1		
	A04063202	EVAPORATOR FF BF80			1	1
14	A00789301	SUPPORT EVAP LH	1	1	1	1
15	A00906901	COVER EVAPORATOR ASY 2-Z	1	1		
	A00906904	COVER EVAPORATOR BF80 ASY 1-Z			1	1
16	A00897602	EPS EVAPORATOR BF 80			1	1
	A00897601	EPS EVAPORATOR BF 70	1	1		
17	N.P.N.	PART OF 15	x	x	x	x
18	A01058204	HEATER RAD DEF R600 240V BF70W	1	1		
	A01058203	HEATER RAD DEF R600 240V BF80W			1	1
19	A01257402	HARNESS-ASSY SENSOR DEF	1	1	1	1
NI	A03637801	SPACER 3 TURN HEATER	2	2	2	2
NI	A02249601	SUPPORT EVAPORATOR BF	2	2	2	2

Release Dates:
01/06/16

