

SERVICE

M A N U A L

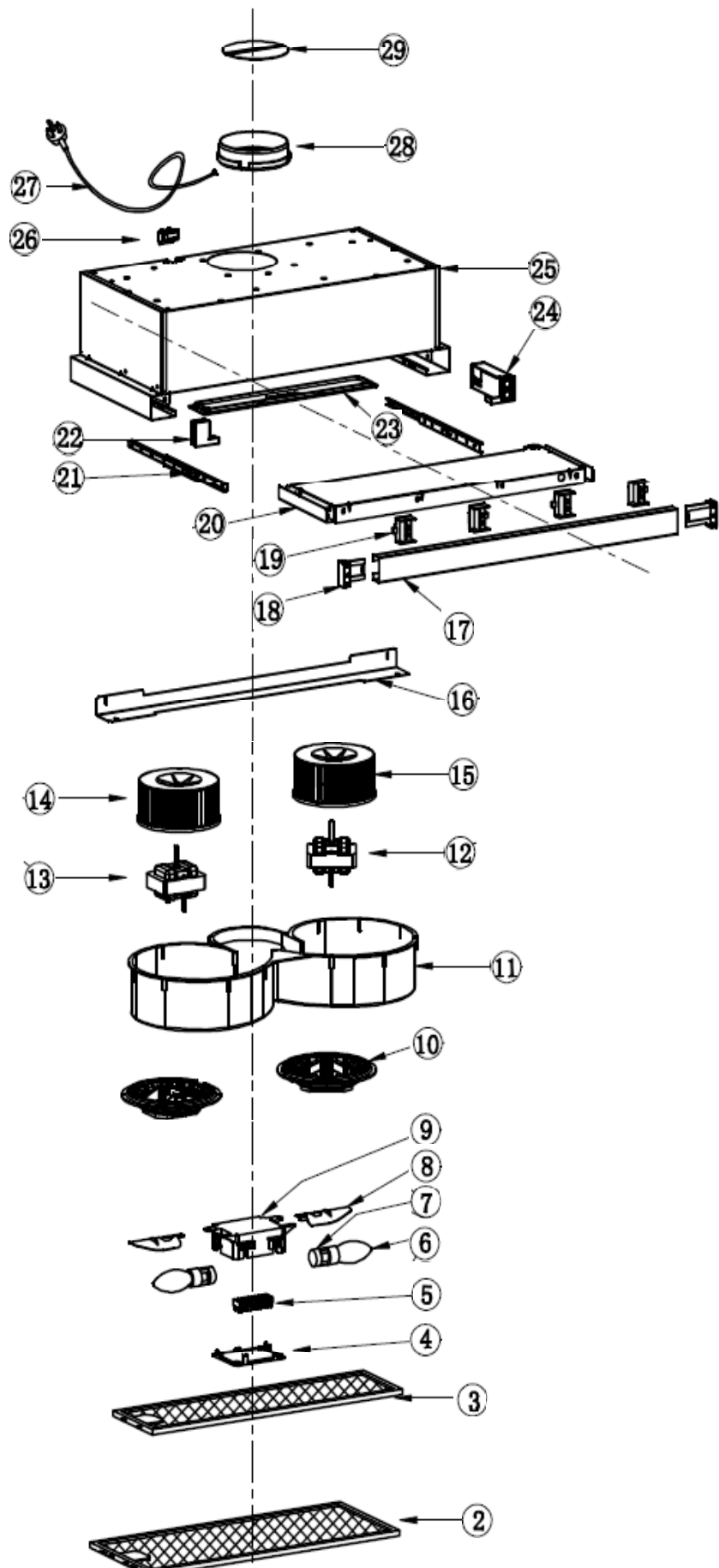
SLIDEOUT RANGEHOODS

NYRSX60A1

Disclaimer

The information contained in this Service Manual is intended for licensed service personnel only.

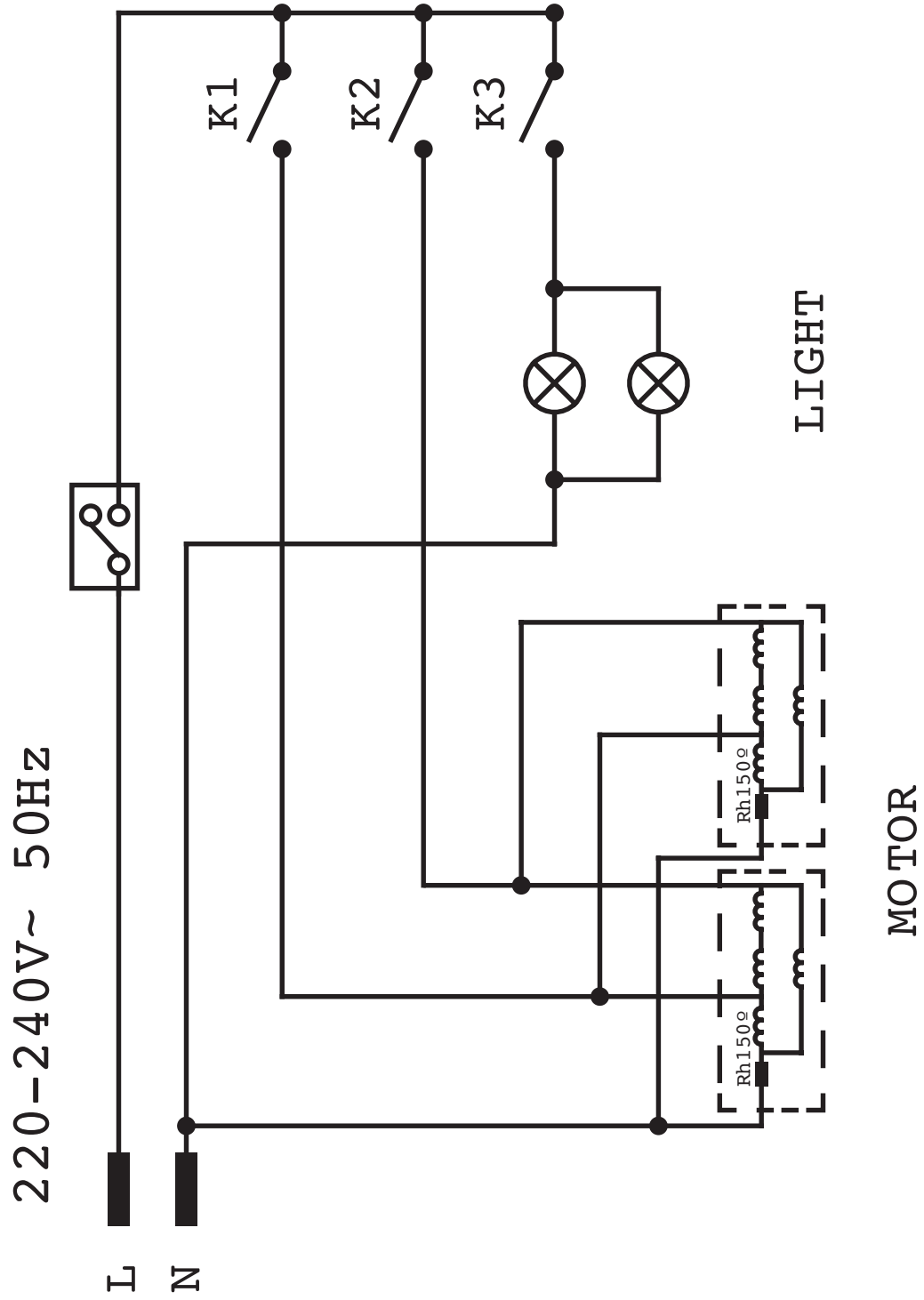
EXPLODED VIEW



PARTS LIST

| ID | PART NUMBER | DESCRIPTION |
|-------|--------------------|--|
| 2 | 2306010.001 | 600mm Outer Aluminium Panel Filter (1) -rectangular - single |
| 3 | 2306010.002 | 600mm Inner Aluminium Panel Filter (1) -rectangular - single |
| 6 | 2306010.501 | Halogen Lamp E14 |
| 7 | 2306010.502 | Lamp Holder |
| 8 | 2306010.101 | Reflector |
| 9 | 2306010.508 | Connection Box |
| 10 | 2306010.401 | Motor Cover |
| 12 | 2306010.509 | Motor (right) -100W |
| 13 | 2306010.510 | Motor (left) - 100W |
| 14 | 2306010.402 | Impeller (left) |
| 15 | 2306010.403 | Impeller (right) |
| 16 | 2306010.102 | Filler |
| 18 | 2399407 | Side Cap for Front Rail (40mm) |
| 18 | 2399408 | Side Cap for Front Rail (80mm) |
| 19 | 2399405 | Black Plastic Connect Clip (40mm) |
| 19 | 2399406 | Black Plastic Connect Clip (80mm) |
| 17-19 | 2306010.003 | 40mm Front Rail (* optional) |
| 17-19 | 2306010.006 | 80mm Front Rail |
| 21 | 2306010.004 | Runner |
| 22 | 2306010.404 | Left Panel Sealed Cap |
| 23 | 2306010.405 | Lamp Diffuser |
| 24 | 2306010.511 | Rocking Switch |
| 26 | 2306010.406 | Power Cord Clamp |
| 27 | 2306010.512 | Flexible Power Cord |
| 28 | 2306010.407 | Outlet Adaptor |
| 29 | 2306010.408 | Non-Return Flap |
| * | 2306011.005 | Carbon Filter (2) - circular - set of 2 (* optional) |

WIRING DIAGRAM



CONTACT

Version 1.3

We are committed to ongoing research and development. Every effort has been made to ensure all information in the service manual is correct at time of going to print. Dimensions should be used as a reference only and actual dimensions should be taken from the physical product.