

# SERVICE

M A N U A L

CERAMIC HOB

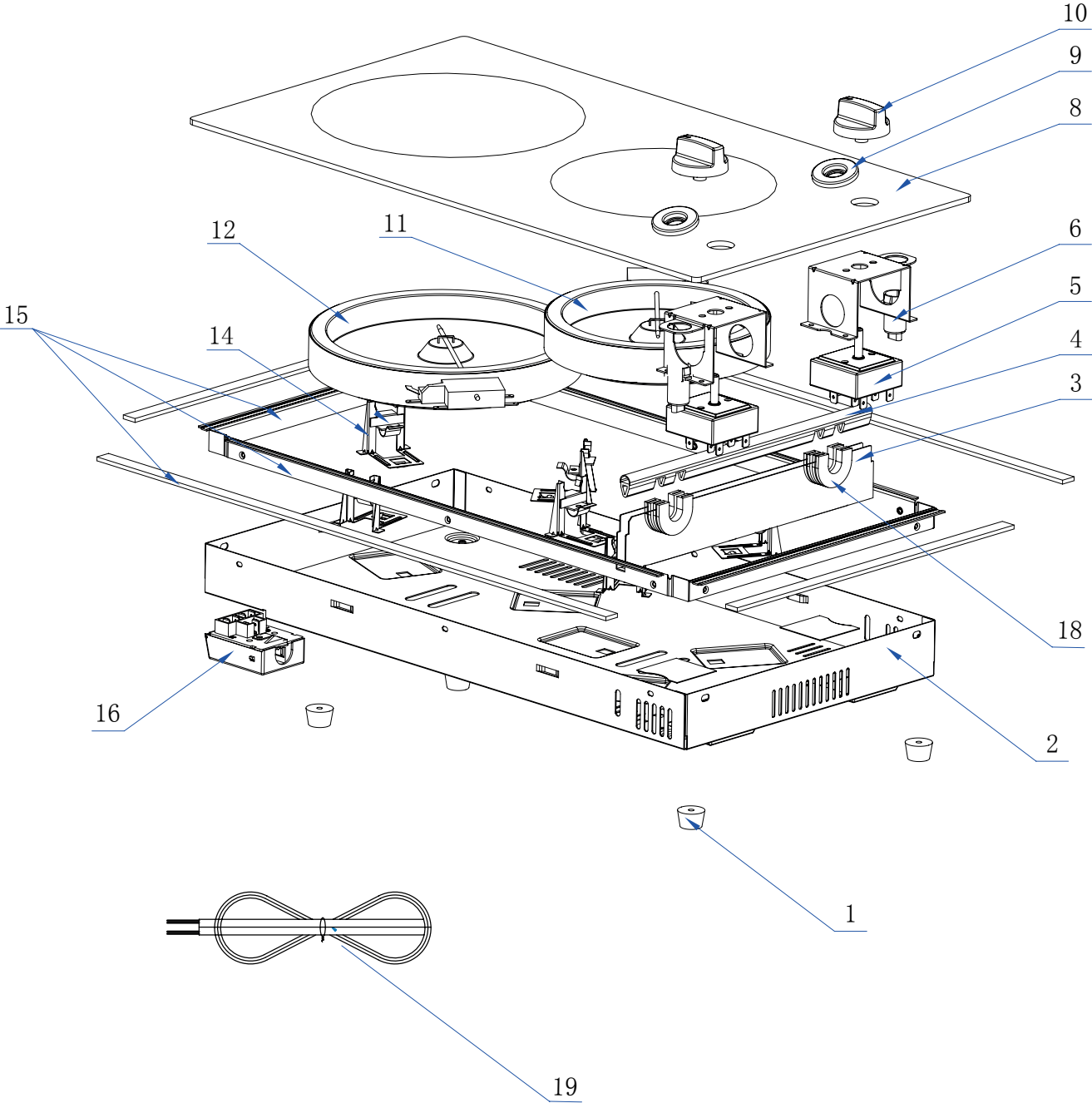
---

NYCKB30A1

## Disclaimer

The information contained in this Service Manual is intended for licensed service personnel only.

# EXPLODED VIEW

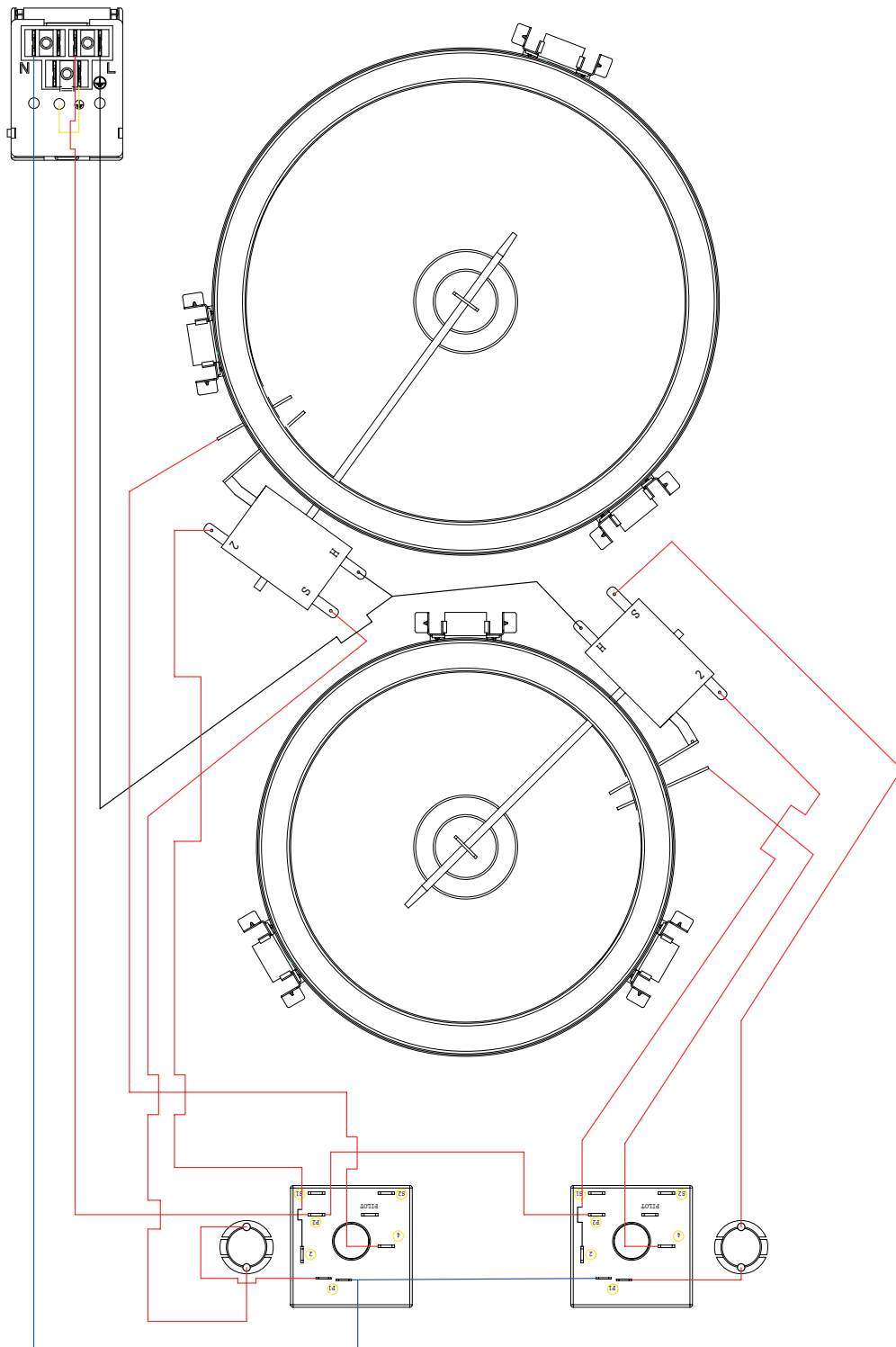


---

# PARTS LIST

<b>Item No</b>	<b>ISS Code</b>	<b>ISS DESCRIPTION</b>
1	2299901	Foot - 300 ceramic hob
5	2299544	Power Regulator
6	2299545	Hob indicator Assembly
8,15	2299902	Glass Assembly
9	2299903	Waterproof Ring Gasket
10	2299904	Knob Assembly
11	2299546	Hot Plate - 1200W - Single Zone (165mm)
12	2299547	Hot Plate - 1800W - Single Zone (200mm)
14	2299108	Spring Bracket
16	2299548	Junction Box
18	2299905	Silicone Gasket - internal
19	2299549	Power Cord

# WIRING DIAGRAM





---

## CONTACT

### Tuscany Customer Care

 1300 985 815

 [customercare@tuscanyppliances.com.au](mailto:customercare@tuscanyppliances.com.au)

 PO Box 7785, Baulkham Hills, BC NSW 1755

Version 1.2

---

We are committed to ongoing research and development. Every effort has been made to ensure all information in the service manual is correct at time of going to print. Dimensions should be used as a reference only and actual dimensions should be taken from the physical product.