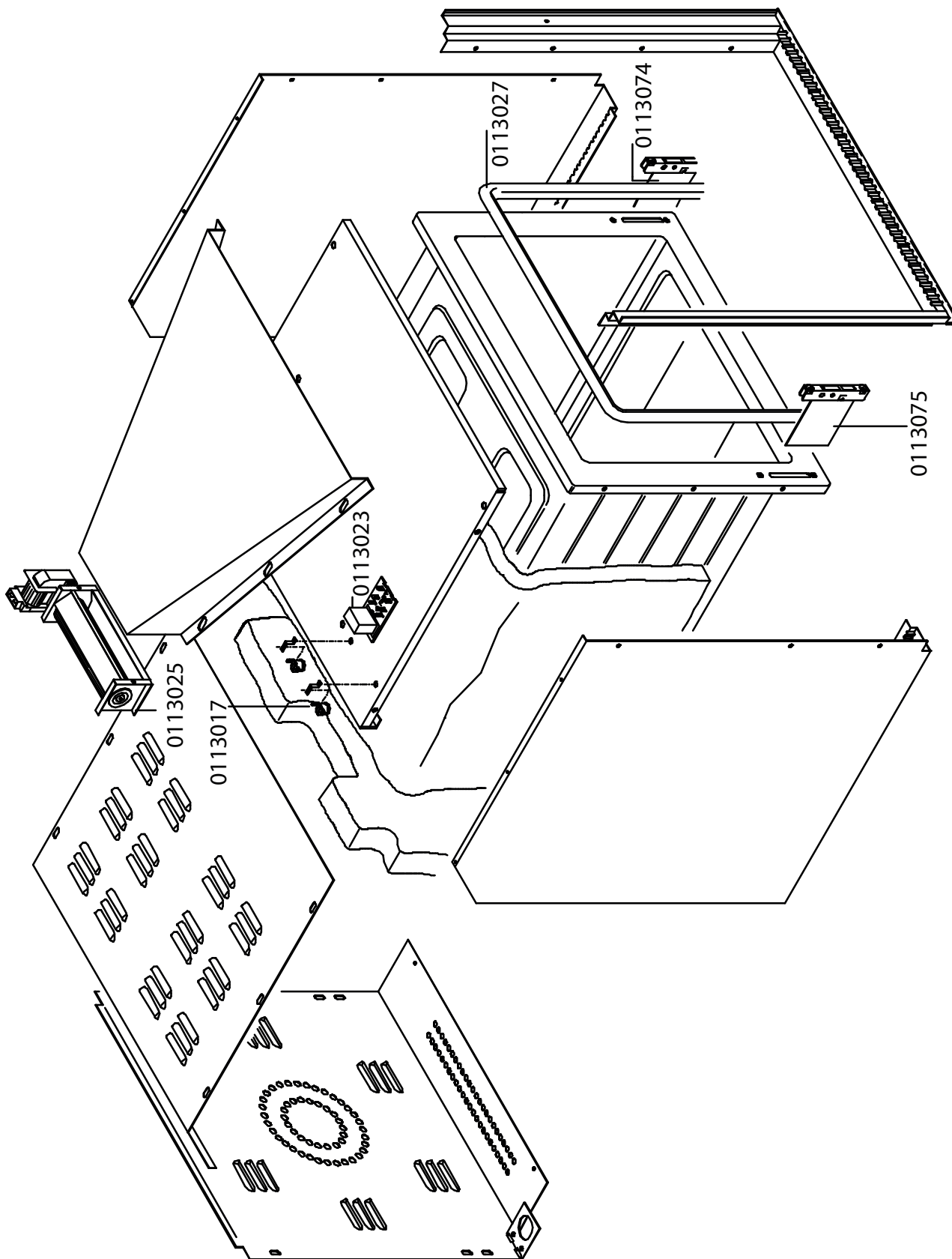
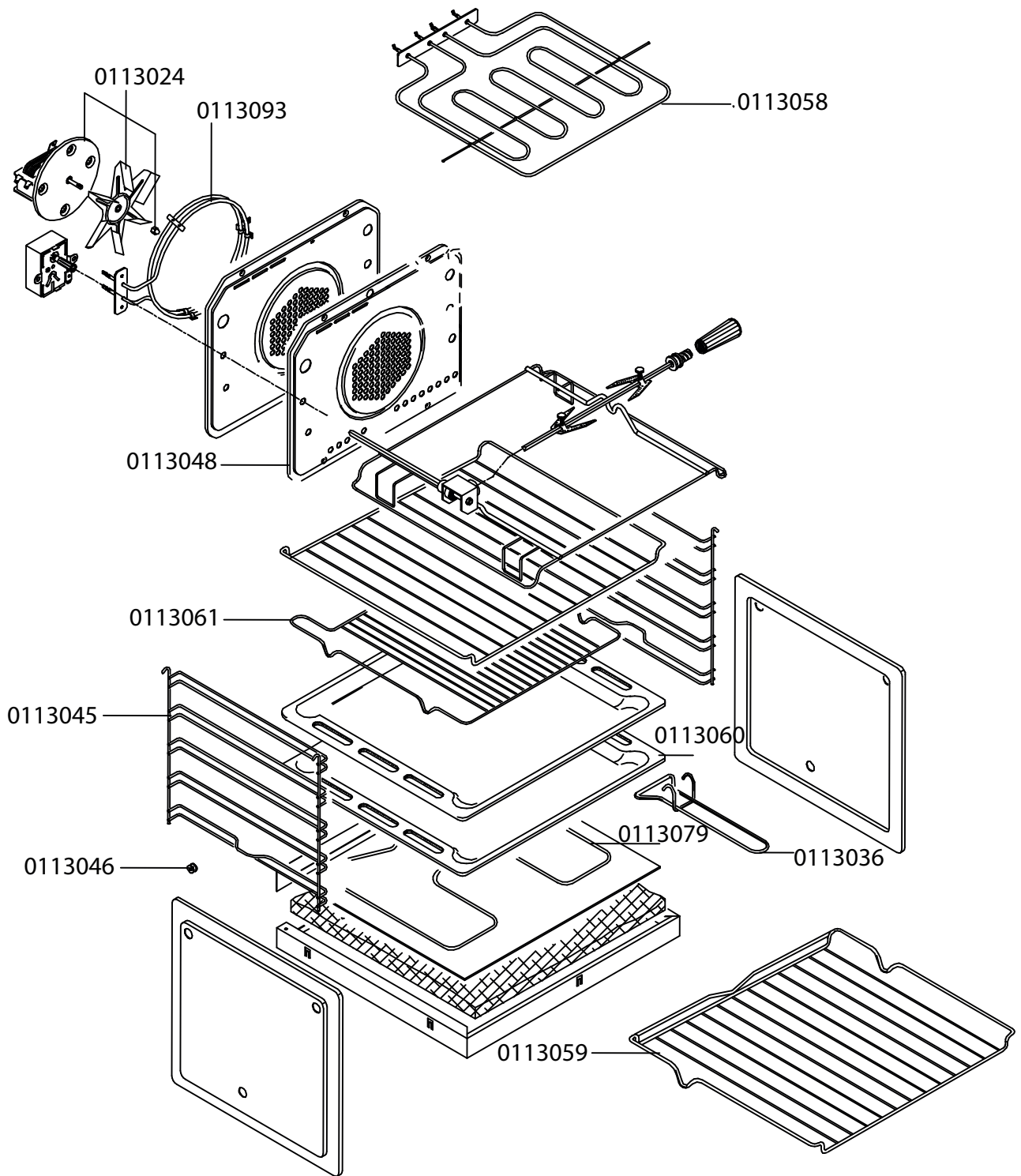


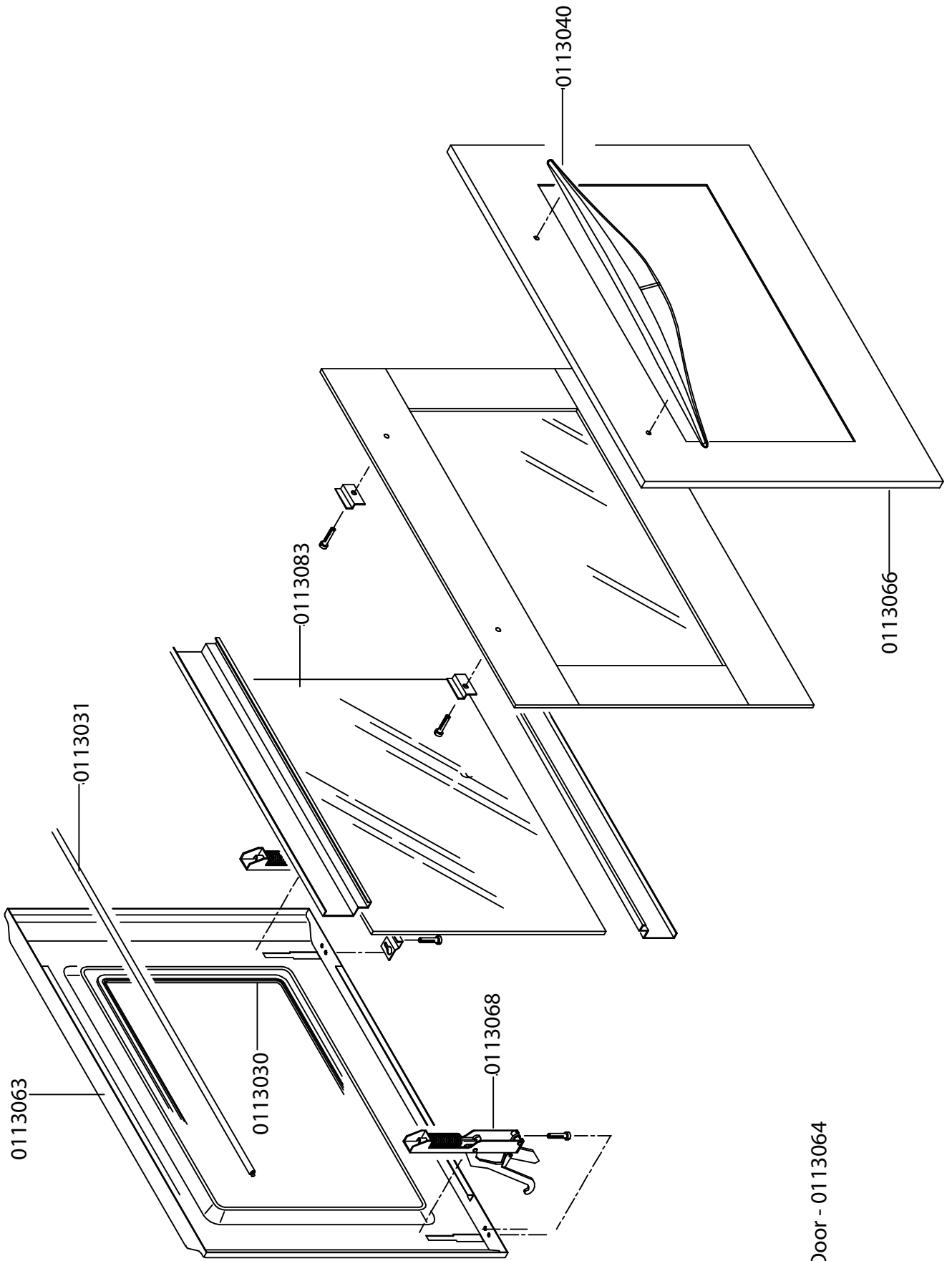
Service Manual

MODEL: **NTB97**. PRODUCT: **600 ELECTRIC OVEN**

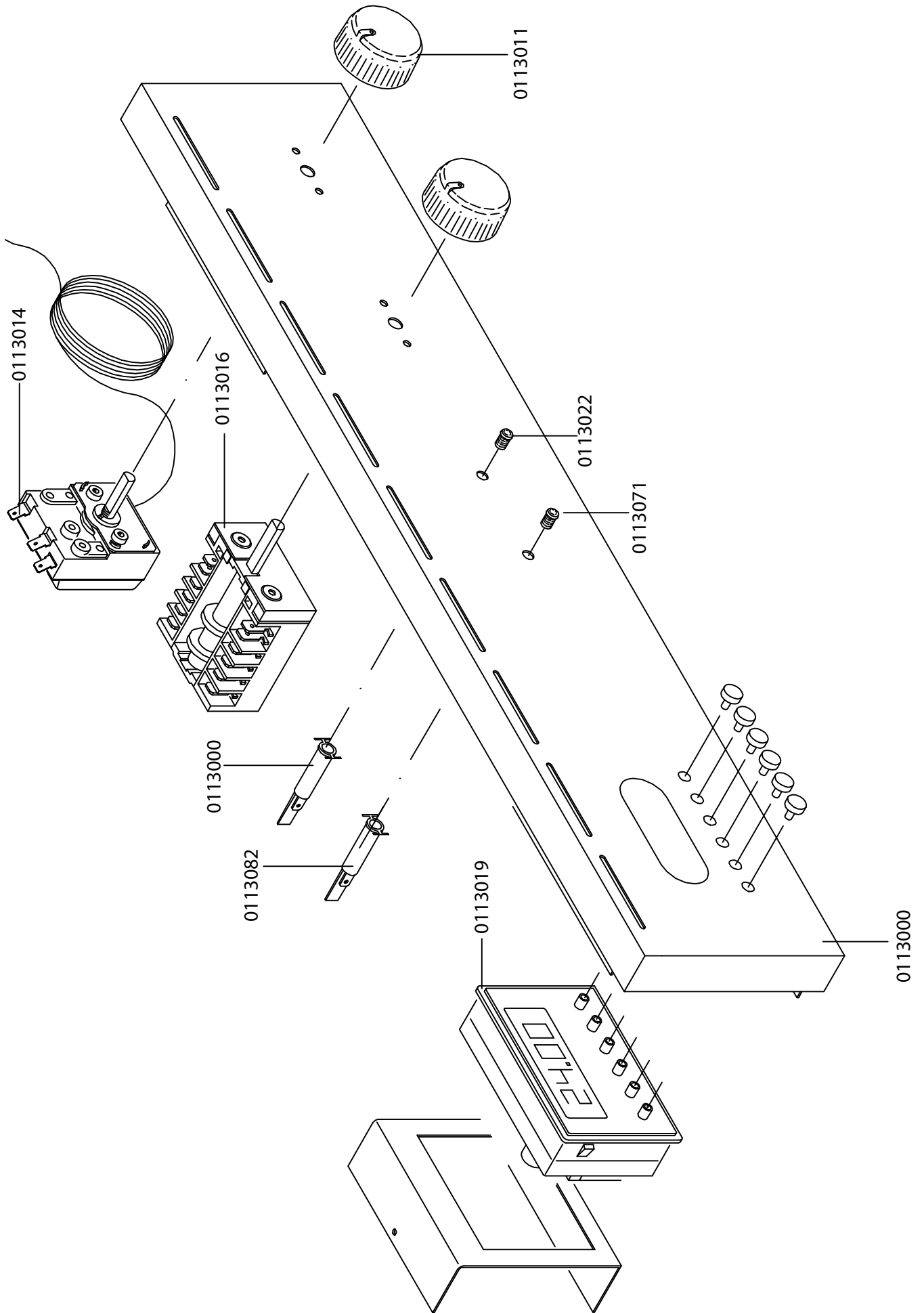
Disclaimer. The information contained in this service manual is intended for licensed service personnel only.



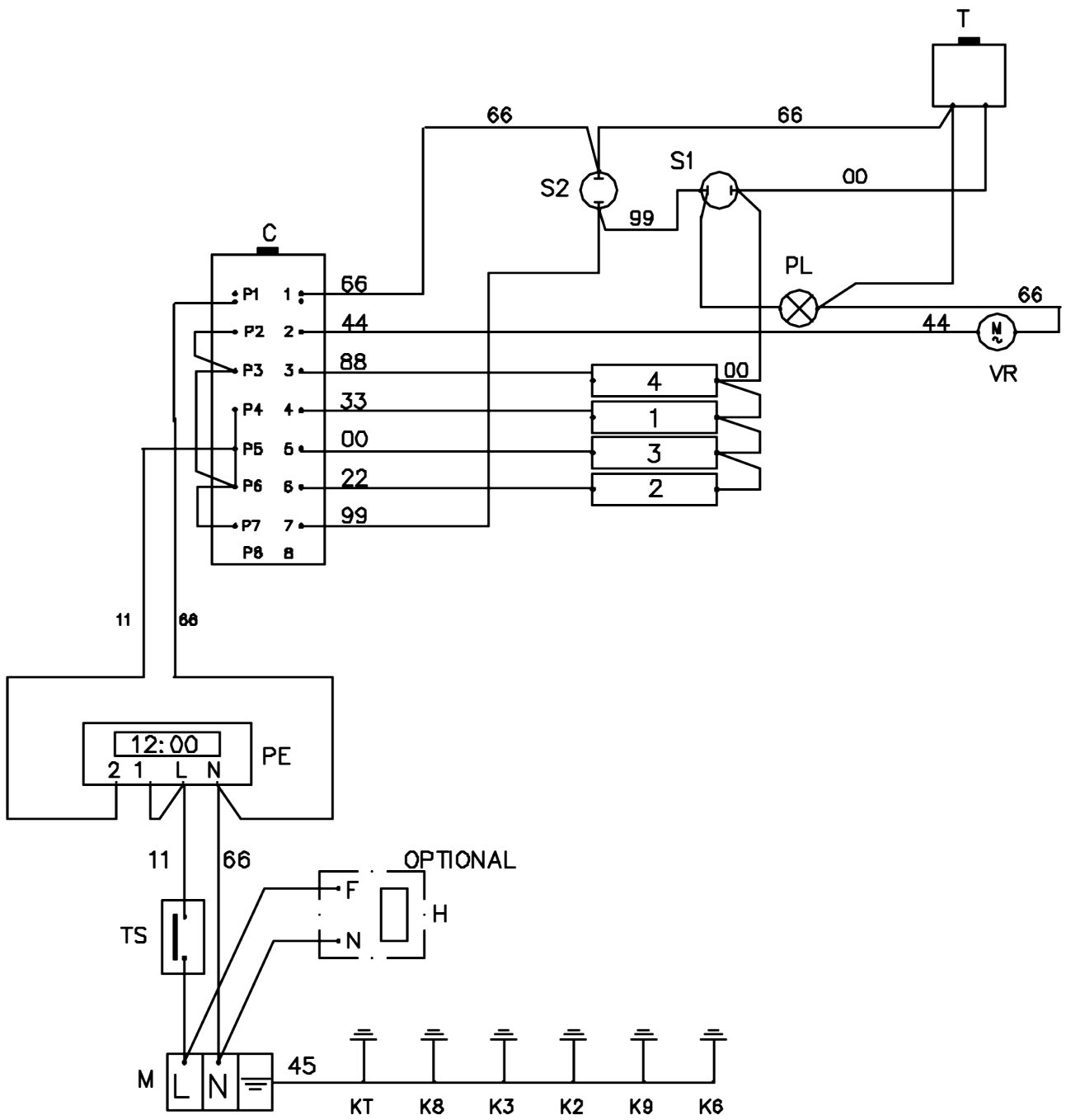




Whole Door - 0113064



PART NUMBER	DESCRIPTION
* 0113000	Control Panel
* 0113011	Knobs (stainless steel)
0113014	Thermostat (double bulb)
0113016	Selector
* 0113017	Safety Device (145degrees)
* 0113019	Programmable Timer
0113022	Yellow Light Cover
0113023	Radio Filter
0113024	Motor Fan
0113025	Cooling Fan
0113027	Rubber Door Seal
0113030	Rubber Seal
0113031	Rubber Seal
* 0113036	Grill Pan Handle
0113040	Door Handle (stainless steel)
* 0113045	Wire Side Rack (pair)
* 0113046	Wire Side Rack Support
* 0113048	Oven Back (vented)
* 0113058	Top Element
0113059	Oven Rack
* 0113060	Drip Tray
0113061	Oven Griller Rack
0113063	Counter Door
0113064	Whole Door (stainless steel)
0113066	Front Panel (stainless steel)
0113068	Door Hinge
0113071	Green Light Cover
0113074	Right Hinge Support
0113075	Left Hinge Support
* 0113079	Bottom Element (1300w)
0102058	Control Panel Light
* 0113083	Inner Door Glass
0113078	Circular Element



intersource
SOLUTIONS

PO Box 7785, Baulkham Hills BC, NSW 1755 Australia
spares@intersource.co | 1300 985 815