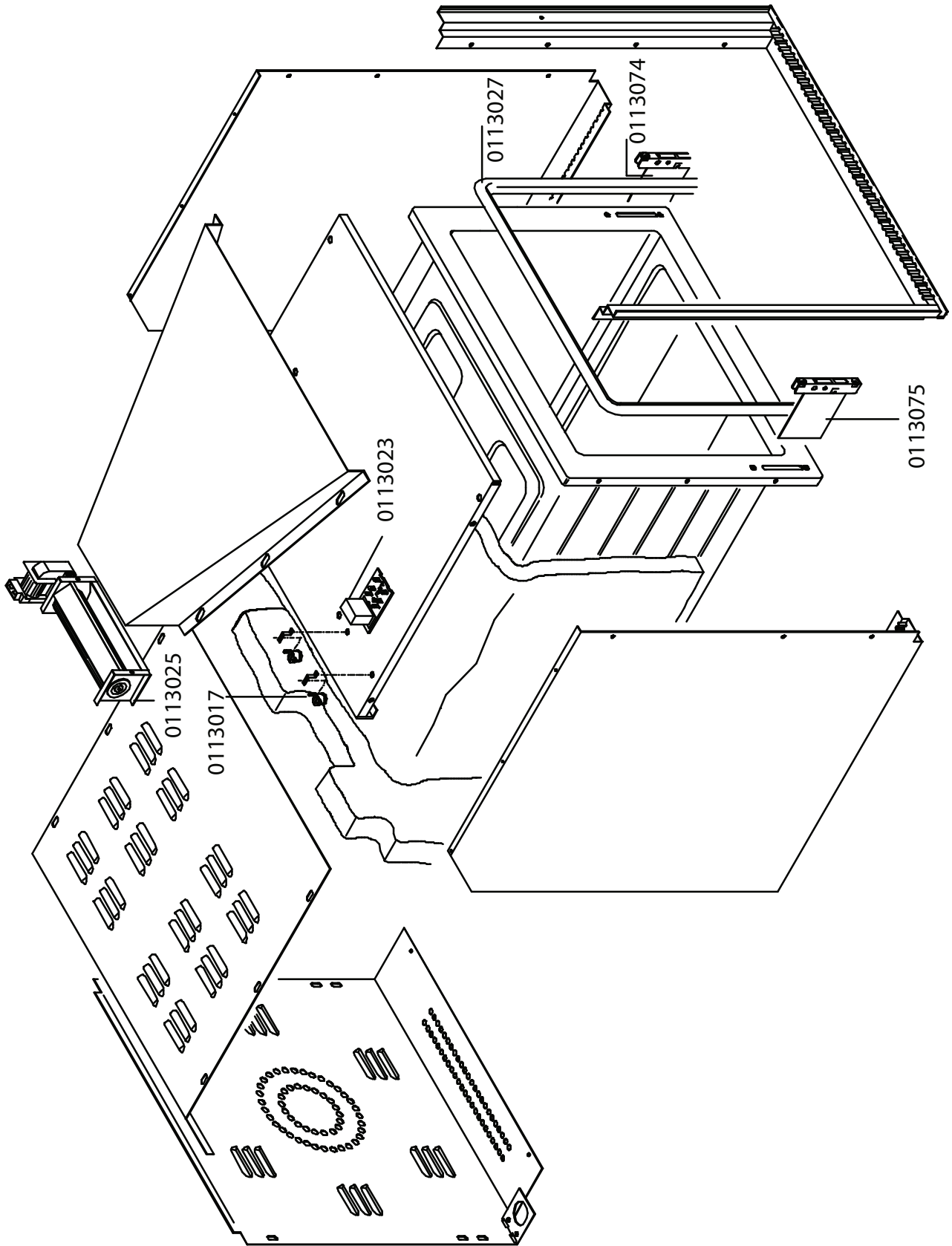
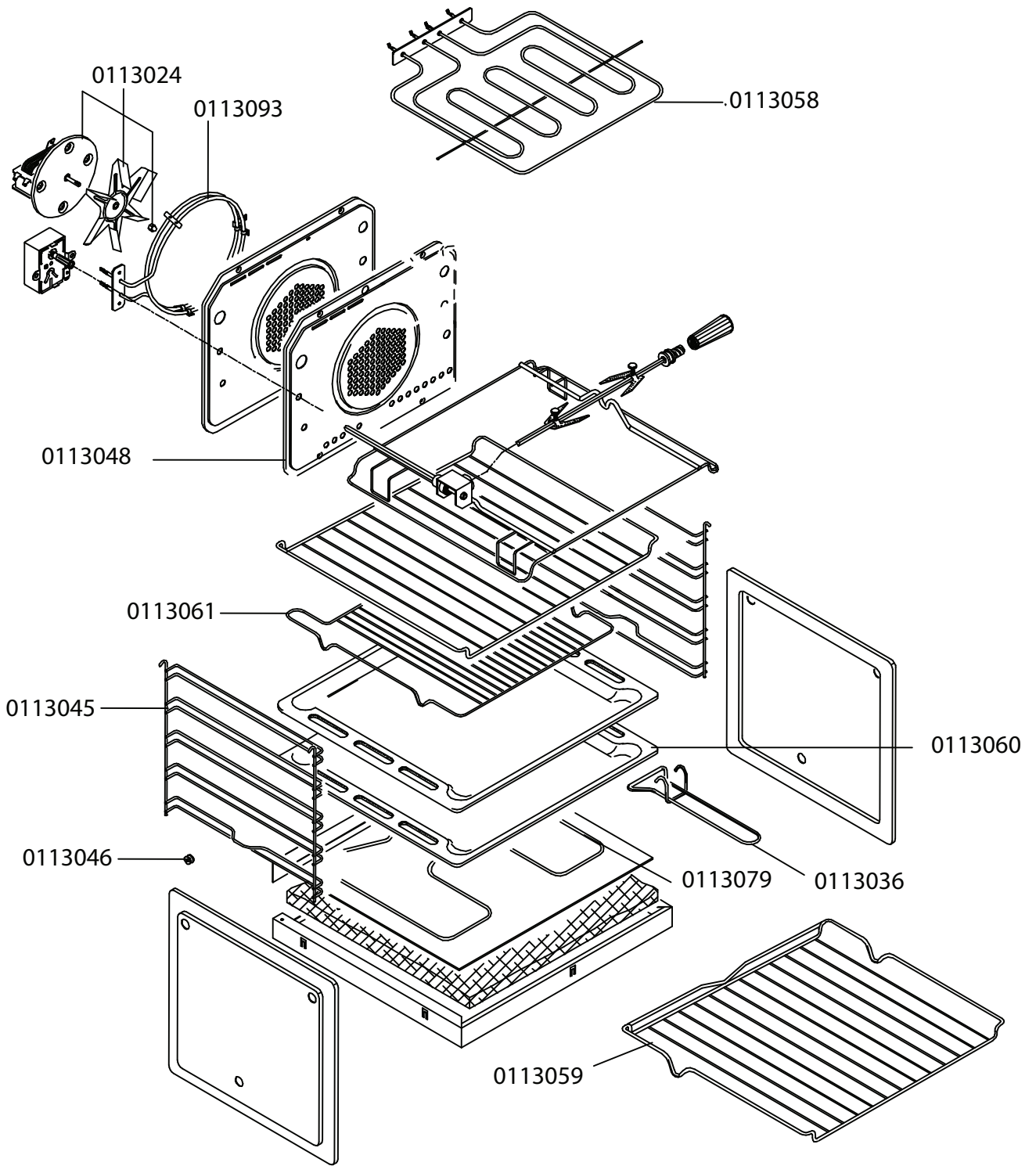


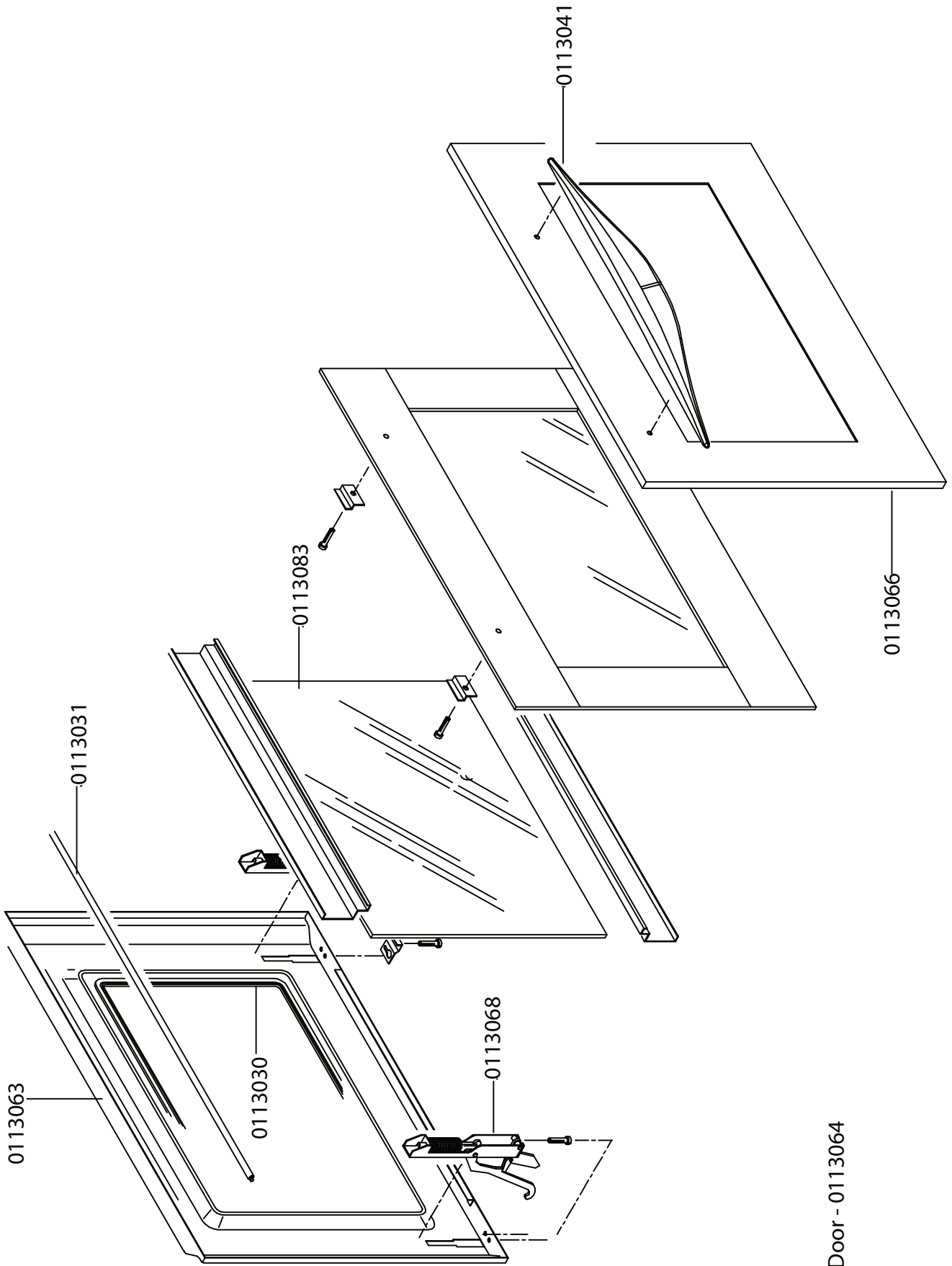
Service Manual

MODEL: **NT97**. PRODUCT: **600 ELECTRIC OVEN**

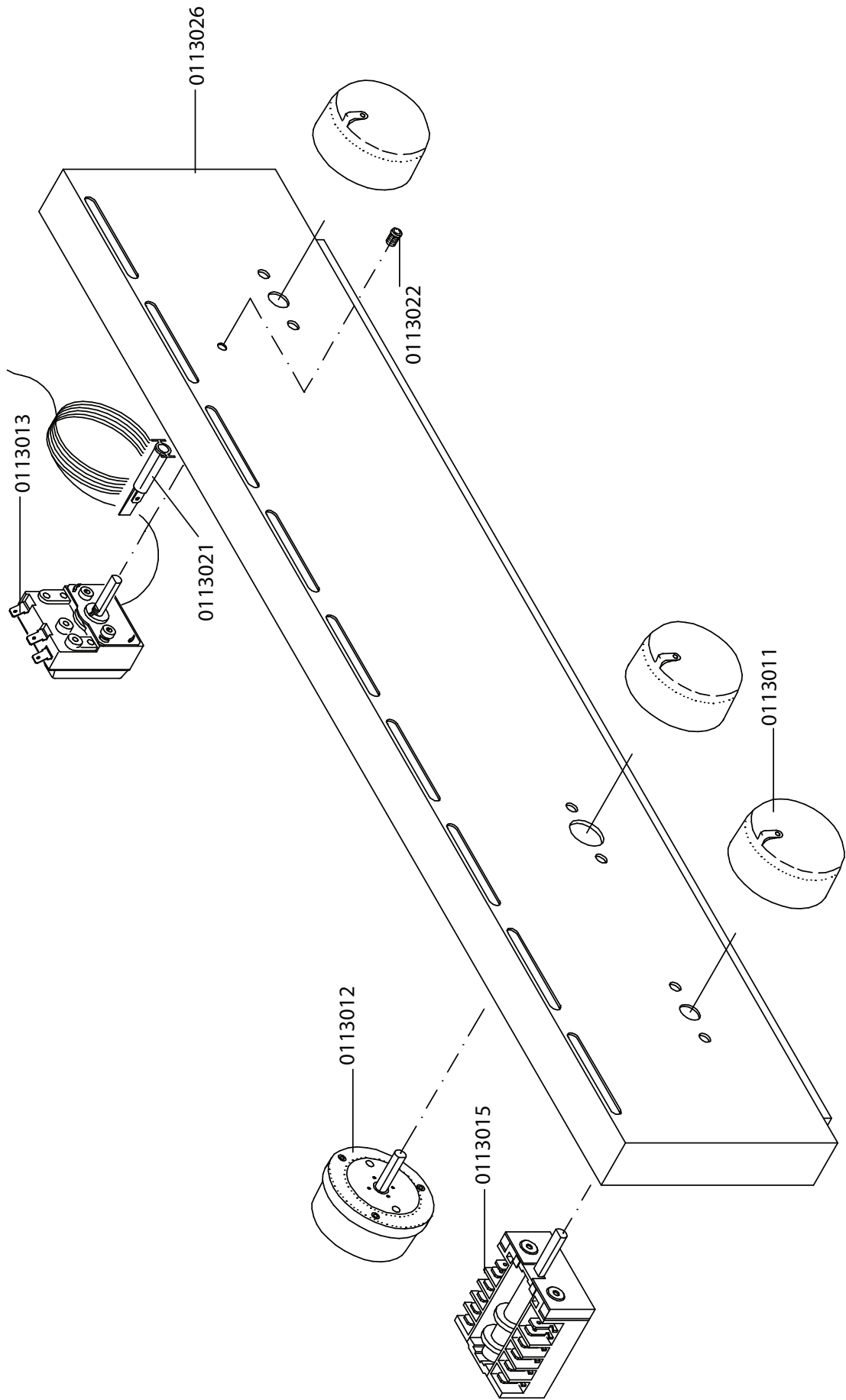
Disclaimer. The information contained in this service manual is intended for licensed service personnel only.





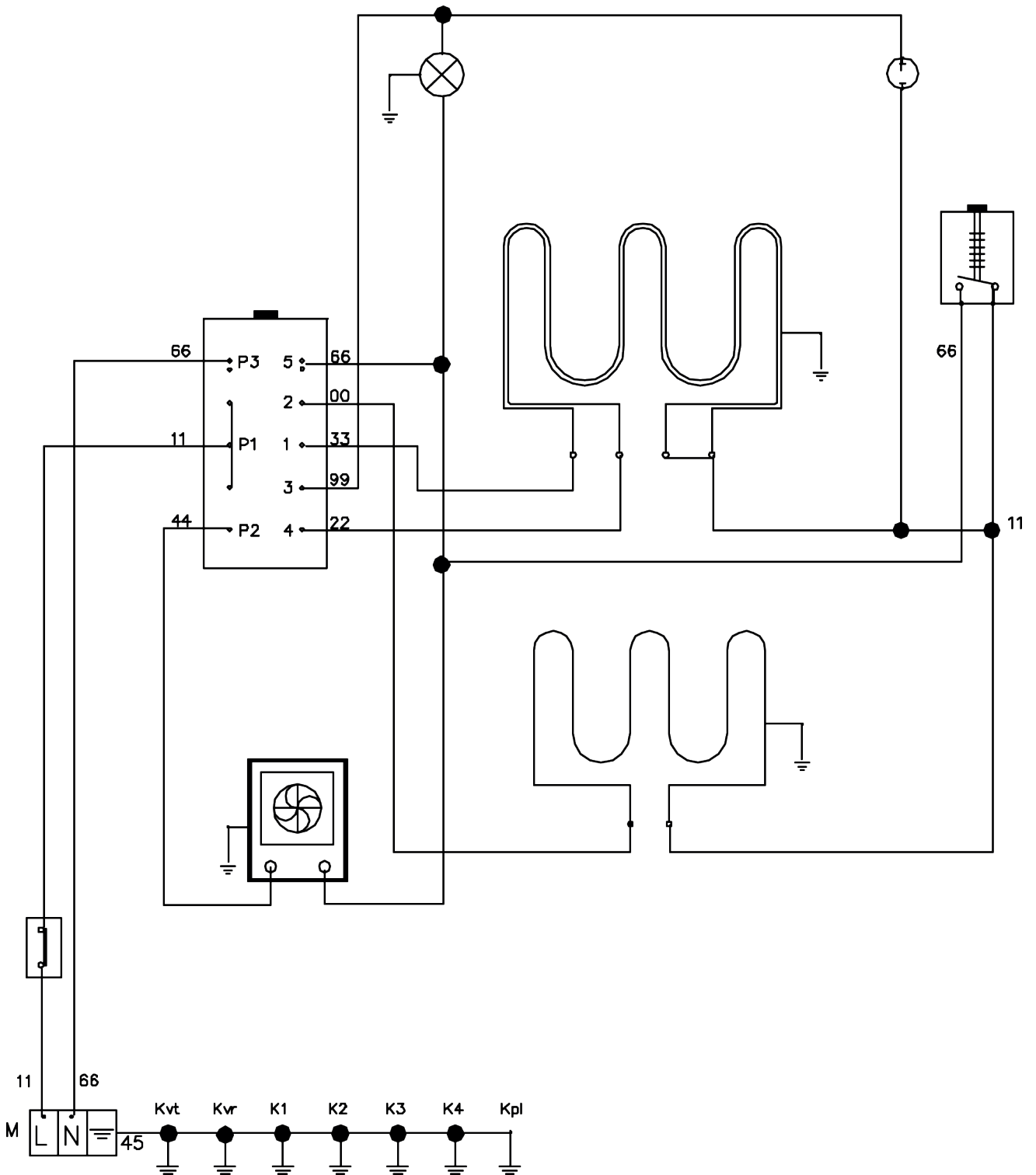


Whole Door - 0113064



PART NUMBER	DESCRIPTION
* 0113011	Knobs (stainless steel)
0111015	Minute Timer
0113013	Thermostat (single bulb)
0113015	Selector
0113017	Safety Device (145degrees)
0102059	Control Panel Light
0214122	Orange Light Cover
0113023	Radio Filter
0113024	Motor Fan
0113025	Cooling Fan
0113026	Control Panel (stainless steel)
0113027	Rubber Door Seal
0113030	Rubber Seal
0113031	Rubber Seal
* 0113036	Grill Pan Handle
0113041	Handle (stainless steel)
0113045	Wire Side Rack (pair)
* 0113046	Wire Side Rack Support
* 0113048	Oven Back (vented)
0113058	Top Element
0113059	Oven Rack
* 0113060	Drip Tray
0113061	Oven Griller Rack
0113063	Counter Door
0113064	Whole Door (stainless steel)
0113066	Front Panel
0113068	Door Hinge
0113074	Right Hinge Support
0113075	Left Hinge Support
* 0113079	Bottom Element (1300w)
* 0113083	Inner Door Glass
0113078	Circular Element

* part no longer available



intersource
SOLUTIONS

PO Box 7785, Baulkham Hills BC, NSW 1755 Australia
spares@intersource.co | 1300 985 815