

Electrolux

ELECTROLUX HOME PRODUCTS PTY LTD

ABN 51 004 762 341

Technical Publication N° MO1013.docx

Issue: 1

Date: 2/20

PARTS & VIEWS

BUILT-IN MICROWAVE

MODEL	PNC
WMB4425DSC	95600505600
WMB4425SC	95600505500

MAINTENANCE LEVEL CHANGE SUMMARY

ML	Description	Product Release Date
00		03/2020

MODEL NUMBER IDENTIFICATION

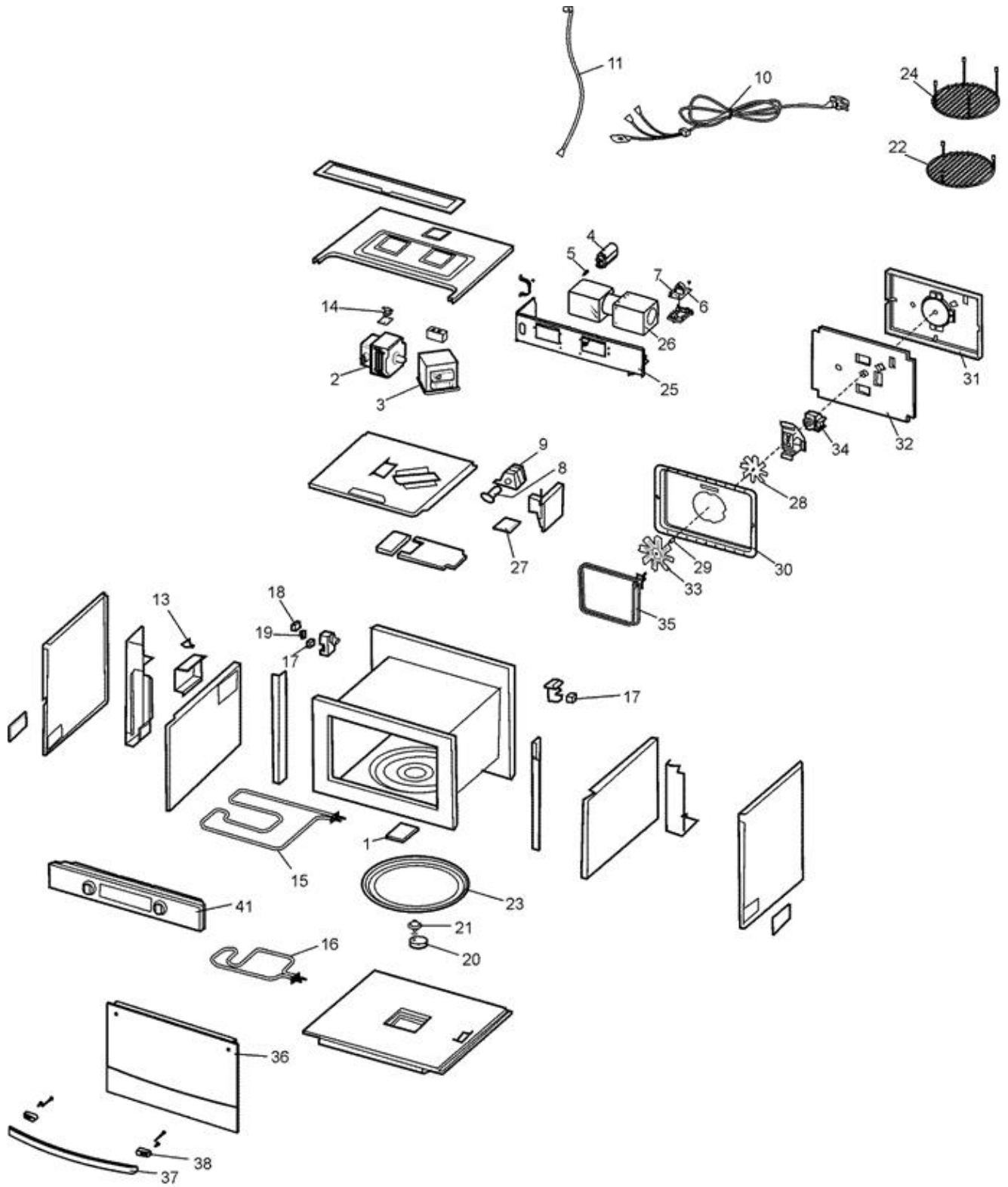
FREE-STANDING COOKERS										
W Brand	B Construction	E Oven Fuel Type	S Added Features	# Width	# Hob Type	# Specification Level	W Colour	A Series	R Side Opening Door Type	G Gas Type
W = Westinghouse C = Chef E = Electrolux Z = Zanussi S = Simpson	E = Elevated Cooker F = Front Control Freestanding Cooker L = Rear Control Freestanding Cooker	E = Electric G = Gas	Leave blank for all except the below: S = Side Opening Door P = Pyro	5 = 50 - 54cm 6 = 60 - 60cm 7 = 70 - 70cm 8 = 80 - 80cm 9 = 90 - 90cm 1 = 100cm and above	IF FUEL TYPE = G 0 = No wok 1 = Wok 2 3 4 5 6 7 8 9 = Highest Spec	Even = GIO, Odd = Sep Grill 0 = Lowest Spec 1 2 3 4 5 6 7 8 9 = Highest Spec	W = White S = Stainless Steel B = Black	A = SAFR B = 1st series change C = 2nd series change etc	L = Left Hand Opening R = Right Hand Opening	LP = Liquefied Petroleum NG = Natural Gas
BUILT-IN OVENS										
W Brand	B Construction	E Oven Fuel Type	S Added Features	# Width	# Cavity Type	# Specification Level	W Colour	A Series	G Gas Type	R Side Opening Door Type
W = Westinghouse C = Chef E = Electrolux Z = Zanussi S = Simpson	V = Built-in oven	E = Electric G = Gas	Leave blank for all except the below: S = Side Opening Door M = Microwave P = Pyro	3 = 30cm - 30cm 4 = 40cm - 40cm 5 = 50cm - 50cm 6 = 60cm - 60cm 7 = 70cm - 70cm 8 = 80cm - 80cm 9 = 90cm - 90cm 1 = 100cm - 110cm 2 = 120 cm +	1 = Single 2 = Duo 3 = Double 4 = Combo Oven 5 = Sep grill and bench 6 = Sep grill wall oven 7 = Compact 8 9 = Highest Spec	0 = Lowest Spec 1 2 3 4 5 6 7 8 9 = Highest Spec	W = White S = Stainless Steel B = Black	A = SAFR B = 1st series change C = 2nd series change etc	LP = Liquefied Petroleum NG = Natural Gas	L = Left Hand Opening R = Right Hand Opening
BUILT-IN HOBES										
W Brand	B Construction	# Hob Type	# Width	# No. Burners/Zones	# Specification Level	W Colour	A Series			
W = Westinghouse C = Chef E = Electrolux Z = Zanussi S = Simpson	H = Hob	IF ELECTRIC HOB: S = Solid C = Ceramic I = Induction R = Radiant Coil M = Mix IF GAS HOB: G = Gas D = Dual Fuel	3 = 30cm or below 4 = 40cm - 40cm 5 = 50cm - 50cm 6 = 60cm - 60cm 7 = 70cm - 70cm 8 = 80cm - 80cm 9 = 90cm - 90cm 1 = 100cm - 110cm 2 = 120 cm and above	1 2 3 4 5 6 7 8 9	0 = Lowest Spec 1 2 3 4 5 6 7 8 9 = Highest Spec	W = White S = Stainless Steel B = Black	A = SAFR B = 1st series change C = 2nd series change etc			

CONTENTS

MAINTENANCE LEVEL CHANGE SUMMARY	2
MODEL NUMBER IDENTIFICATION.....	2

EXPLODED VIEWS & PARTS LISTS

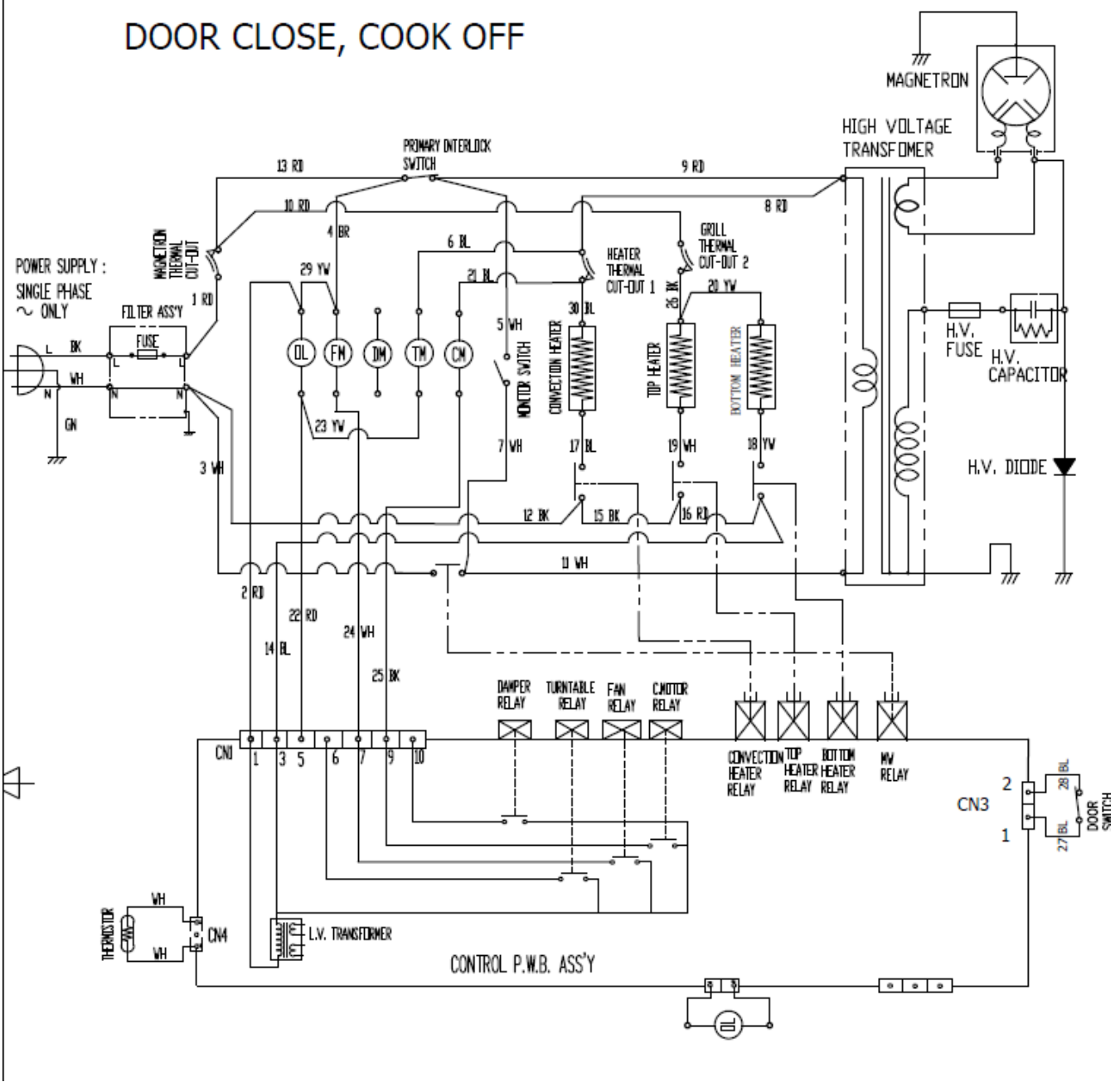
MODEL: WMB4425DSC WMB4425SC	4
CIRCUIT DIAGRAM.....	6



ITEM	PART N°	DESCRIPTION	Ex 8235	DSC	SC
	12570000000067	COVER WAVE GUIDE		1	1
2	17470000000804	MAGNETRON		1	1
3	17470000003539	H.V.TRANSFORMER		1	1
4	17470000000683	H.V.CAPACITOR		1	1
5	17470000001007	H.V.DIODE		1	1
6	17170000002914	FILTER NOISE + FUSE		1	1
7		PART OF ITEM 6			
8	17470000009104	LAMP INTERGRATED		1	1
9	12270000000202	SHADE		1	1
10	17470000002451	POWER CORD ASSY		1	1
11	17170000004580	SENSOR TEMPERATURE		1	1
13	17470000009120	THERMOSTAT 150/90		1	1
	17470000001471	THERMOSTAT 180/145°C		1	1
14	17470000009120	THERMOSTAT 150/90°C		1	1
15	17470000001079	HEATER		1	1
16	17470000001085	HEATER		1	1
17	17470000002315	MICROSWITCH INTERLOCK		2	2
18	17470000008424	MICROSWITCH MONITOR		1	1
19	12170000007317	LEVER SWITCH		1	1
20	11002014000043	MOTOR TRAY		1	1
21	12570000000020	COUPLER		1	1
22	12970000000284	RACK		1	1
23	12270000003329	TRAY METAL		1	1
24	12970000000342	RACK		1	1
25	N.P.N.	BRACKET			
26	11002017000177	MOTOR FAN		1	1
27	12570000000937	LAMP GLASS		1	1
28	17470000007844	FAN COOLING		1	1
29	Part of item 30	SLEEVE MOTOR AXLE		1	1
30	12270000030918	COVER HEATER ASSY		1	1
31	N.P.N.	NOT USED ON THIS MODEL			1
32	N.P.N.	NOT USED ON THIS MODEL			1
33	N.P.N.	NOT USED ON THIS MODEL			1
34	N.P.N.	NOT USED ON THIS MODEL			1
35	12270000030918	CONVECTION ASSEMBLY		1	1
36	WMB4425SCD00	ASS'Y DOOR:			1
	WMB4425DSCD00	ASS'Y DOOR:		1	
37	12970000A01134	HANDLE ASSY			1
	12970000A01135	HANDLE ASSY		1	
38	N.P.N.	PART OF ITEM 37			
41	WMB4425SCC00	C/PANEL ASSY:			1
	WMB4425DSCC00	C/PANEL ASSY:		1	
N.I.	11303405000001	SCREW MJ03-00025 RoHS (REAR OF OVEN)		X	X
N.I.	12970000000306	RACK RECTANGULAR		1	1
N.I.	12170000004273	FRONT HOOK (RACK)		2	2
N.I.	12170000004274	BACK HOOK (RACK)		2	2
N.I.	12970000000431	INSTALLATION KIT		1	1
N.I.	12970000000031	DOOR SHAFT		2	2
N.I.	12270000015304	HINGE ASSEMBLY		2	2
N.I.	17170000025206	PCB ASS'Y		1	1

CIRCUIT DIAGRAM

DOOR CLOSE, COOK OFF



WARNING

IT IS ILLEGAL FOR PERSONS OTHER THAN LICENSED ELECTRICAL MECHANICS OR PERSONS AUTHORISED BY LEGISLATION TO WORK ON THE FIXED WIRING OF ANY ELECTRICAL INSTALLATION. PENALTIES FOR CONVICTION ARE SEVERE.

IMPORTANT SAFETY NOTICE

This diagram has been prepared for use by electrically qualified service technicians. Electrolux cannot be held responsible for the interpretation of its service publications nor for any injury or damage that may occur in connection with their use.

Publication Version Control Chart		
Issue Number	Reason	Date
1	Original Document	29/022020