



ELECTROLUX HOME PRODUCTS PTY LTD
ABN 51 004 762 341

Technical Publication N° KSS112

Issue: 2
Date: 03/12

**WHITE WESTINGHOUSE
INVERTER
SPLIT SYSTEM
AIR CONDITIONER**

SECTION	PAGE N°
INDOOR ASSEMBLY	2 & 3
OUTDOOR ASSEMBLY	4 & 5

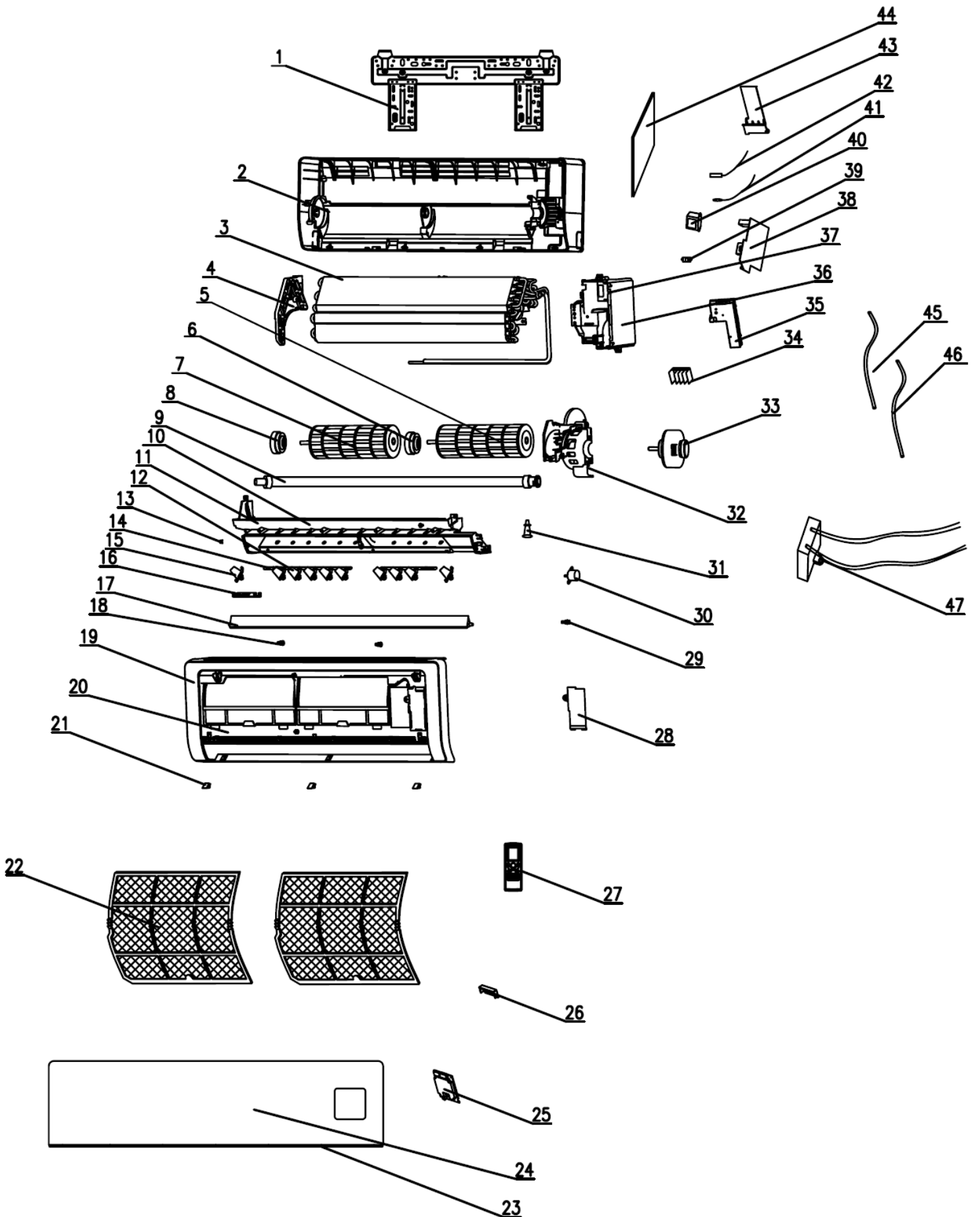
Release Date: October 2010.

MODEL:

WSV70HRB

MODEL: WSV70HRB

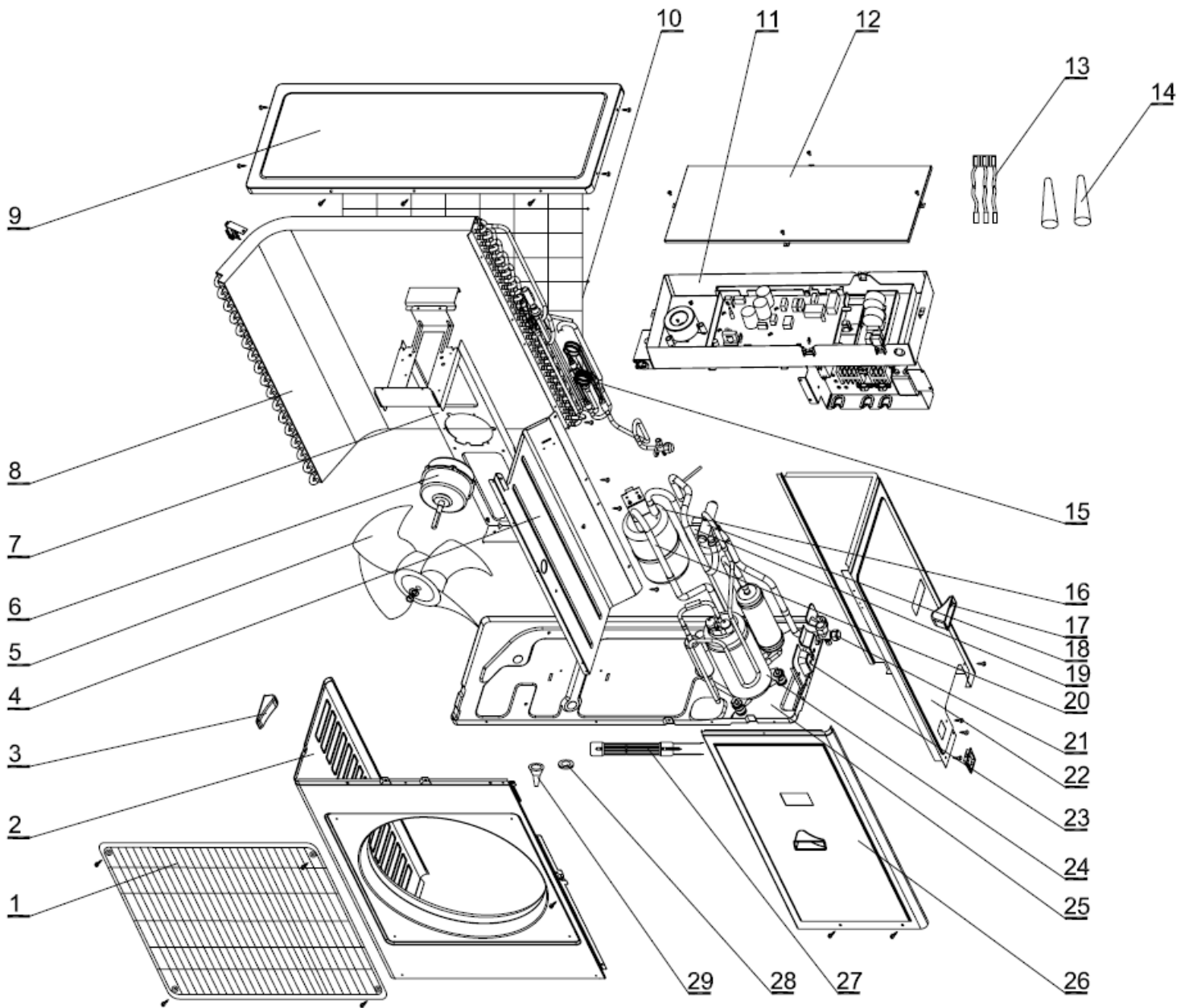
EX. VIEW DRAWING 7674
INDOOR ASSEMBLY



ITEM	PART NUMBER	DESCRIPTION Ex. 7674	QTY
1	01252229	Plate, Installation-Wall Mounting	1
2	22202096	Chassis, Rear	1
3	0100254602	Evaporator Assembly	1
4	24214082	Support, Evaporator	1
5	10354002	Fan Blade, Cross Flow (R/H)	1
6	76512051	Bearing, Support Fan Blade (Centre)	1
7	10354003	Fan Blade, Cross Flow (L/H)	1
8	26152028	Bearing, Support Fan Blade (L/H)	1
9	0523001403	Pipe, Drainage	1
10	2018211102	Tray Assembly, Water	1
11	2018209902C	Tray, Water	1
12	10512099	Louver, Vertical	10
13	10542704	Bush, Axial	1
14	10584086	Rod, Connecting Vertical Louver	2
15	10512097	Louver, Vertical	2
16	26112158	Clamp, Louver	6
17	1051215304P	Louver, Horizontal	1
18	10542008	Bush, Axial (Guide Louver)	2
19	20002983P	Panel, Frame-Front	1
20	2001207001	Panel Assembly, Front	1
21	24252017	Cover, Screw	4
22	11124097	Filter, Air	2
23	20004326	Panel, Front	1
24	2001211603	Panel Assembly, Front	1
25	30545052	PCB, Receiver Board-D5005	1
26	20122058	Cover, Display Box-2	1
27	30510049	Remote Control	1
28	20114009P	Cover, Electric Box	1
29	10582070	Crank	1
30	1521300101	Motor, Step	1
31	76712012	Plug, Water Tray	1
32	26112182	Plate, Motor Press	1
33	15012085	Motor, Fan	1
34	42011233	Block, Terminal (4 Point)	1
35	20114008	Cover, Electric Box	1
36	2020208102	Box Assembly, Electric	1
37	20114016	Box, Electric	1
38	30138032	PCB, Main Board	1
39	4202300105	Cap, Jumper	1
40	43110237	Transformer, 57X25C	1
41	390000451	Sensor, Ambient Temperature	1
42	390000591	Sensor, Tube (20K Black)	1
43	26112156	Clamp, Pipe	1
44	01412010	Cover/Shield, Electric Box	1
45	400204056	Cable, Connecting (Four-Core)	1
46	40020318	Cable, Connecting (Three-Core)	1
47	1114200201	Generator, Cold Plasma	1

MODEL: WSV70HRB

EX. VIEW DRAWING 7675
OUTDOOR ASSEMBLY



ITEM	PART NUMBER	DESCRIPTION Ex. 7675	QTY
1	01473001	Grill, Front	1
2	01433011	Panel, Front	1
3	26235401	Handle, Small	1
4	01233039	Partition, Plate Assembly	1
5	10335253	Fan Blade, Axial-Flow	1
6	15013703	Motor, Fan	1
7	01705021	Support, Fan Motor	1
8	01113250	Condenser Assembly	1
9	01255013P	Cover, Top	1
10	01475252	Cover, Mesh-Side	1
11	02603062	PCB, Electric Box Assembly	1
12	02603151	Cover, Electric Box Assembly	1
13	3900028001	Sensor, Assembly (3 Point)	1
14	42010157	Terminal	2
15	03103804	Capillary & Service Valve Assembly	1
16	07220030	Accumulator	1
17	26235253	Handle, Small	2
18	03023863	Valve Assembly, 4-Way	1
19	4300040022	Coil, 4-Way Valve	1
20	03533143	Tube Assembly, Accumulator	1
21	07103030	Valve, Service-Gas	1
22	01303709	Panel, Side (R/H)	1
23	01715001	Support, Valve	1
24	00103501	Compressor & Fittings C-6RZ146H1A	1
25	01203560	Base Assembly	1
26	01305247	Panel, Front	1
27	32003001	Thermistor (Compressor)	1
28	06813401	Seal, Drainage Connector	3
29	06123401	Connector, Drainage	1
NI	10909121013	Nut, Flare (3/8 – 9.52mm)	1
NI	11324113804	Nut, Flare (5/8 – 15.88mm)	1